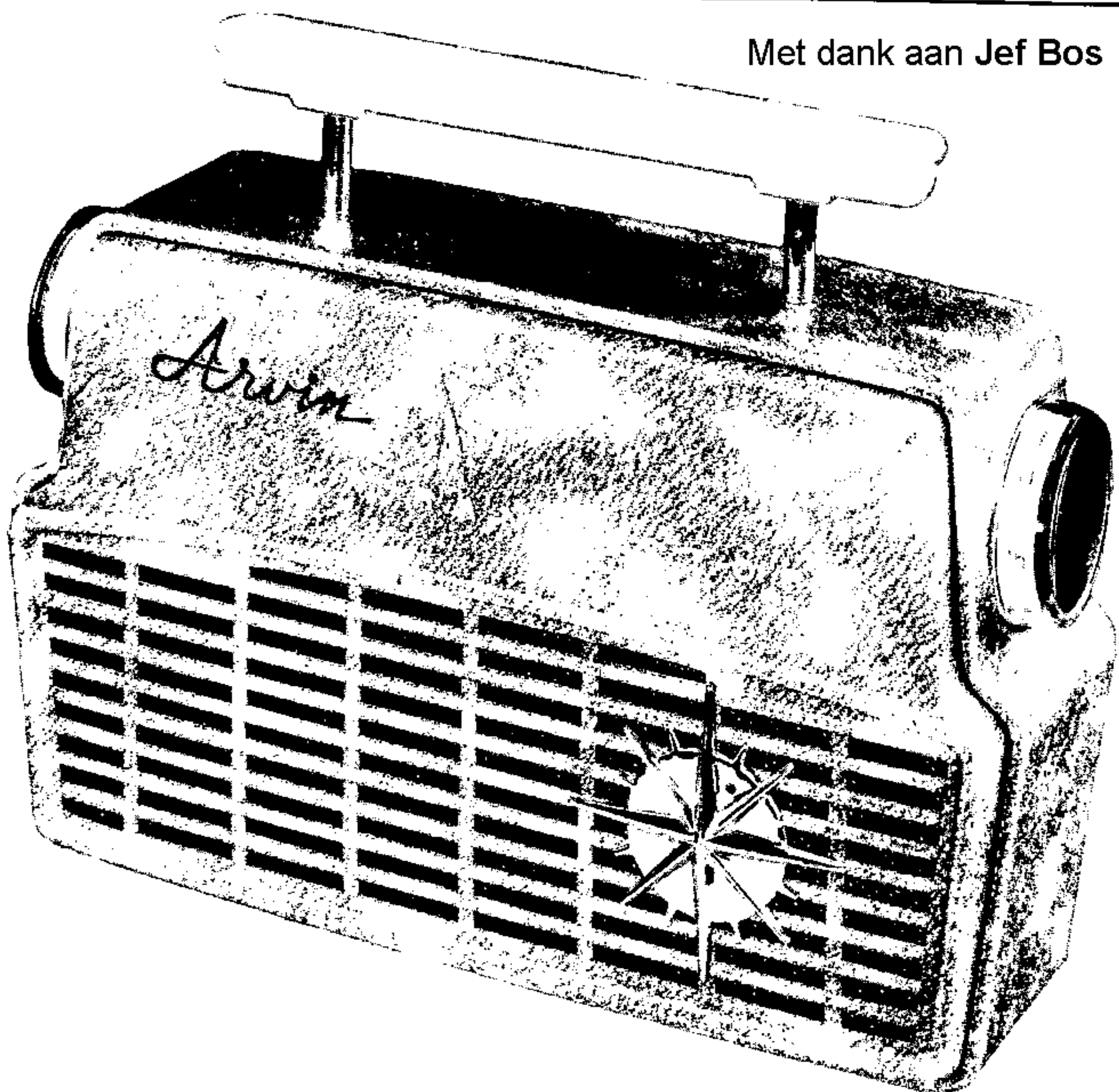




Met dank aan Jef Bos



TRADE NAME Arvin Model 9574P (Ch. 1.43000)
 MANUFACTURER Arvin Industries, Inc., Columbus, Indiana
 TYPE SET Battery Operated Portable AM Transistorized Receiver

Ned. Ver. v. Hist

POWER SUPPLY 9 Volts DC RATING 8 MA @ 9 Volts DC
 TUNING RANGE—BROADCAST 540 - 1670KC



ALIGNMENT INSTRUCTIONS—READ CAREFULLY BEFORE ATTEMPTING ALIGNMENT

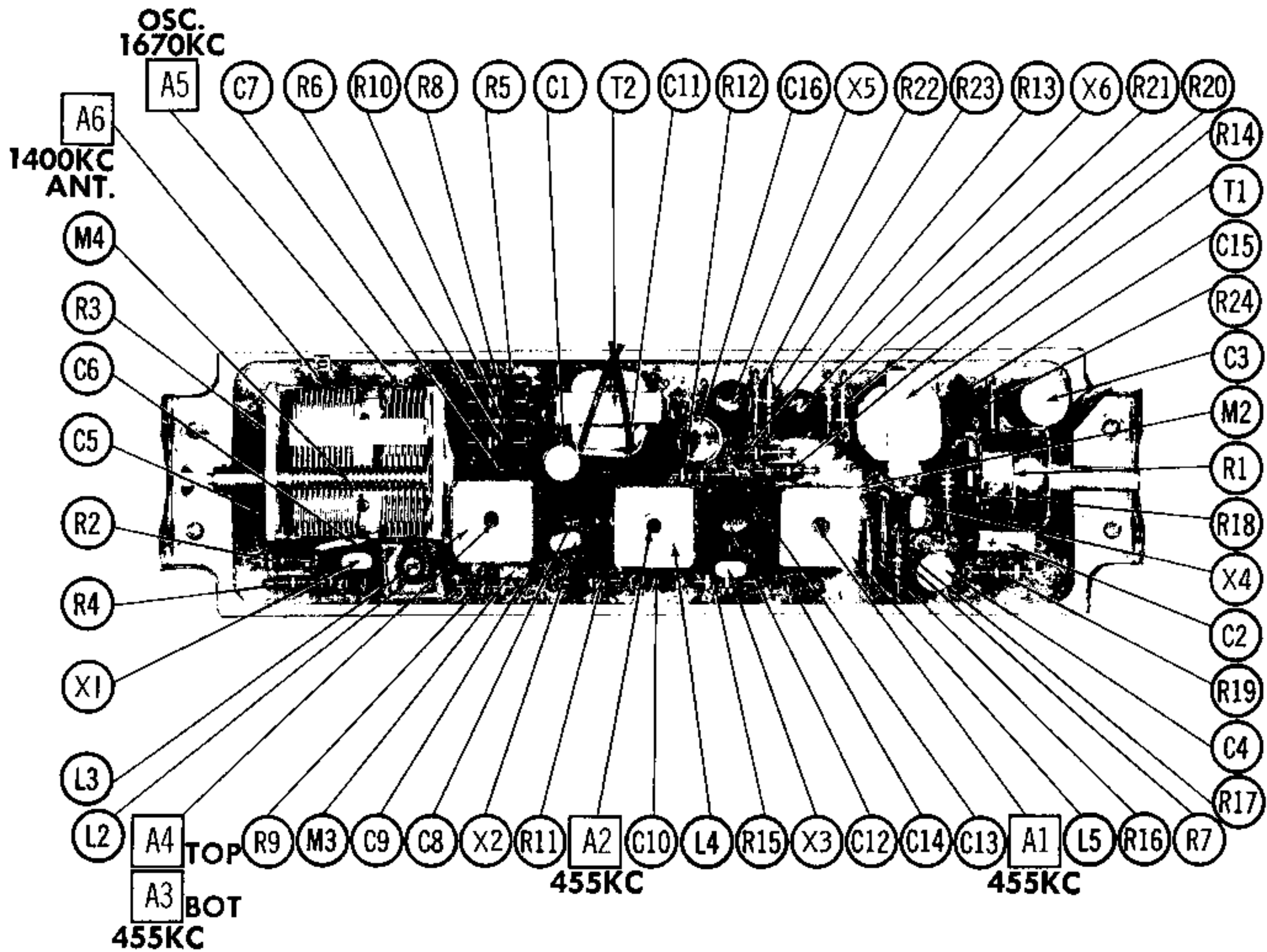
Volume control should be at maximum position. Output of signal generator should be no higher than necessary to obtain an output reading. Use an insulated alignment screwdriver for adjusting. Loop should be maintained in the same relative position to chassis as when the receiver is in cabinet.

DUMMY ANTENNA	SIGNAL GENERATOR COUPLING	SIGNAL GENERATOR FREQUENCY	RADIO DIAL SETTING	OUTPUT METER	ADJUST	REMARKS
1. .05MFD	High side to ant. stator lug on tuning gang. Low side to B-.	455KC (400v Mod.)	Tuning gang fully open.	Across voice coil.	A1, A2, A3, A4	Adjust for maximum output.
2.	Loop	1670KC	"	"	A5	Fashion loop of several turns of wire and radiate signal into loop of receiver. Adjust for maximum output.
3.	"	1400KC	1400KC	"	A6	"

HOWARD W. SAMS & CO., INC. • Indianapolis 5, Indiana

The listing of any available replacement part herein does not constitute in any case a recommendation, warranty or guaranty by Howard W. Sams & Co., Inc., as to the quality and suitability of such replacement part. The numbers of these parts have been compiled from information furnished to Howard W. Sams & Co., Inc., by the manufacturers of

the particular type of replacement part listed. Reproduction or use, without express permission, of editorial or pictorial content, in any manner, is prohibited. No patent liability is assumed with respect to the use of the information contained herein. © 1957 Howard W. Sams & Co., Inc., Indianapolis 5, Indiana. Printed in U.S. of America



CHASSIS-TOP VIEW

PARTS LIST AND DESCRIPTIONS

TRANSISTORS

ITEM No.	ORIG. TYPE	USE	REPLACEMENT DATA			NOTES
			CBS PART No.	RAYTHEON PART No.	SYLVANIA PART No.	
X1	2N212	Converter			2N212	Alternate type: 2N241A Alternate type: 2N241A
X2	2N94	1st IF Amplifier			2N94	
X3	2N94	2nd IF Amplifier			2N94	
X4	2N213	Driver			2N213	
X5	2N188A	Output				
X6	2N188A	Output				

ELECTROLYTIC CAPACITORS

ITEM No.	RATING		REPLACEMENT DATA						
	CAP.	VOLT.	ARVIN PART No.	AEROVOX PART No.	CORNELL-DUBILIER PART No.	MALLORY PART No.	PYRAMID PART No.	SANGAMO PART No.	SPRAGUE PART No.
C1	10	10	44279-6	XPPI0V10	NL10-10	TT12X10	ML10-15		TE-1114
C2	4	10	44396-1	XPPI0V4	NL5-15	TT12X5	ML4-15		
C3A	80	10	44397-2		NL100-10				
B	80	10			NL100-10				
C4	80	10	44279-7		NL100-10				

FIXED CAPACITORS

Capacity values given in the rating column are in mfd. for Paper Capacitors, and in mmfd. for Mica and Ceramic Capacitors.

ITEM No.	RATING		REPLACEMENT DATA						NOTES
	CAP.	VOLT	ARVIN PART No.	AEROVOX PART No.	CENTRALAB PART No.	CORNELL-DUBILIER PART No.	ERIE PART No.	MALLORY PART No.	
C5	50000								TG-S50 TG-S10
C6	10000			BPD-01	DD-103	BYA6S1	ED-01	DC511	
C7	20000				DD-203		ED-02		
C8	9								
C9	20000				DD-203		ED-02		
C10	20000				DD-203		ED-02		
C11	50000							TG-S50	
C12	9								
C13A	20000								
B	20000								
C14	20000				DD-203		ED-02		
C15	4700				DD-472	BYA10D47M	ED-0047	UC-5247	
C16	22	100				BC2P22J		ACE6022	5GA-D47 2SE-P22

CONTROLS

ITEM No.	RATING		REPLACEMENT DATA				INSTALLATION NOTES	
	RESISTANCE	WATTS	ARVIN PART No.	CENTRALAB PART No.	CLAROSTAT PART No.	IRC PART No.		MALLORY PART No.
R1	5000Ω	1/2	44666					Volume - Switch

RESISTORS

All wattages 1/2 watt, or less, unless otherwise listed.

ITEM No.	RATING		REPLACEMENT DATA		NOTES	ITEM No.	RATING		REPLACEMENT DATA		NOTES
	OHMS	WATT	ARVIN PART No.	IRC PART No.			OHMS	WATT	ARVIN PART No.	IRC PART No.	
R2	3900Ω	5%		BTS-3900	5%	R14	1000Ω			BTS-1000	
R3	68K	5%		BTS-68K	5%	R15	470Ω			BTS-470	
R4	1500Ω			BTS-1500		R16	220Ω			BTS-220	
R5	5600Ω	5%		BTS-5600	5%	R17	6800Ω			BTS-6800	
R6	62K	5%		BTS-62K	5%	R18	39K			BTS-39K	
R7	5600Ω	5%		BTS-5600	5%	R19	470Ω			BTS-470	
R8	10K			BTS-10K		R20	47Ω			BTS-47	
R9	4700Ω			BTS-4700		R21	3300Ω			BTS-3300	
R10	5600Ω	5%		BTS-5600	5%	R22	10Ω			BTS-10	
R11	560Ω	5%		BTS-560	5%	R23	10Ω			BTS-10	
R12	4700Ω			BTS-4700		R24	220Ω			BTS-220	
R13	68K	5%		BTS-68K	5%						

PARTS LIST AND DESCRIPTIONS (Continued)

TRANSFORMER (INPUT)

ITEM No.	TURNS RATIO		REPLACEMENT DATA					NOTES	
	PRI.	SEC.	ARVIN PART No.	Haldorson PART No.	Merit PART No.	Stancor PART No.	Thordarson PART No.		Triad PART No.
T1	1:	1	44072	GHI12 (1)			TR-2 (1)	T-33X (1)	(1) Cut off mounting tabs & use lead for mounting support. Tape center tap on primary winding.

TRANSFORMER (AUDIO OUTPUT)

ITEM No.	IMPEDANCE		REPLACEMENT DATA					NOTES	
	PRI.	SEC.	ARVIN PART No.	Haldorson PART No.	Merit PART No.	Stancor PART No.	Thordarson PART No.		Triad PART No.
T2	280Ω CT	3-4Ω	44671					TY-57X (1)	(1) Bend ears down.

SPEAKER

ITEM No.	TYPE			REPLACEMENT DATA		NOTES
	SIZE	FIELD	V. C. IMP.	ARVIN PART No.	QUAM PART No.	
SP1	5"	PM	3-4Ω	44673	5A1	

COILS (RF-IF)

ITEM No.	USE	REPLACEMENT DATA				NOTES
		ARVIN PART No.	MEISSNER PART No.	MERIT PART No.	MILLER PART No.	
L1	Loop Stick	44471-67		BC-419		Includes handle assembly. Note 1.
L2	Osc. Coil	44383-2				
L3	1st IF	44674				
L4	2nd IF	44675				
L5	3rd IF	44676				

Note 1. Includes M2 & 2000 MMF Capacitor.

BATTERIES

ITEM No.	VOLTAGE	ARVIN PART No.	REPLACEMENT DATA								NOTES
			BURGESS		EVEREADY		MALLORY		RAY-O-VAC		
			"A"	"B"	"A"	"B"	"A"	"B"	"A"	"B"	
M1	9V			D6		276		M-1603		1603	Connect two in parallel.

CRYSTAL DIODES

ITEM No.	ORIG. TYPE	REPLACEMENT DATA			NOTES
		ARVIN PART No.	CBS PART No.	SYLVANIA PART No.	
M2	1N295		1N60	1N34A	Audio Det. (Pigtail) AGC (Pigtail)
M3	1N295		1N60	1N34A	

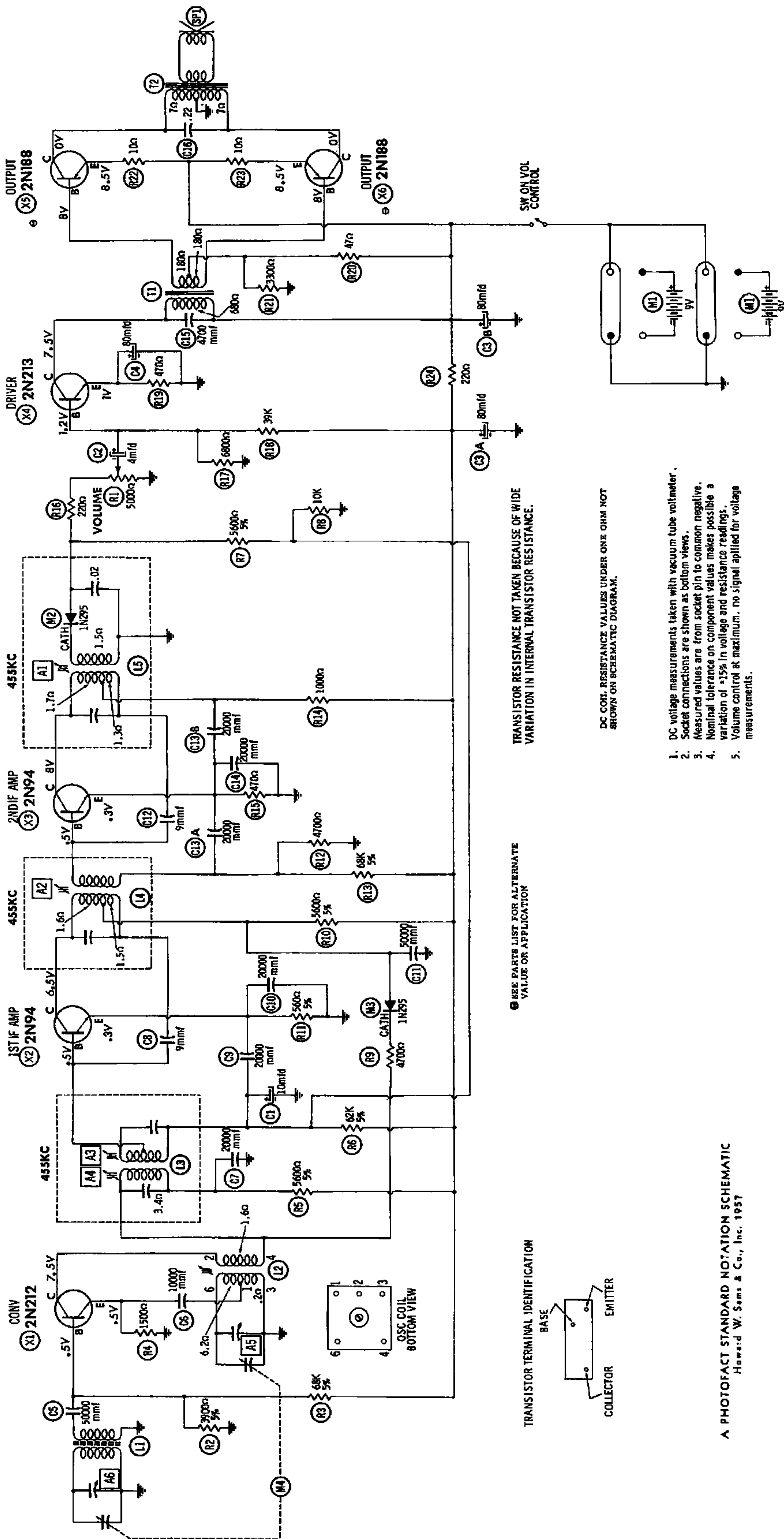
MISCELLANEOUS

ITEM No.	PART NAME	ARVIN PART No.	NOTES
M4	Tuning Cap.	44626	2 gang (Ant. 22-325 MMF)

CABINETS & CABINET PARTS

(When Ordering Cabinets & Cabinet Parts, Specify Model, Chassis & Color)

NAME	PART NO.	DESCRIPTION
Knob	44627	Tuning
Knob	44681-87	On-Off-Volume
Dial	44628-87	
Cabinet	44898-87	Front, White (Handle Not Included)
Cabinet	44898-118	Front, Tan (Handle Not Included)
Cabinet	44858-87	Back, White
Cabinet	44858-118	Back, Tan



SEE PARTS LIST FOR ALTERNATE VALUE OR APPLICATION

TRANSISTOR RESISTANCE NOT TAKEN BECAUSE OF WIDE VARIATION IN INTERNAL TRANSISTOR RESISTANCE.

DC COIL RESISTANCE VALUES UNDER ONE OHM NOT SHOWN ON SCHEMATIC DIAGRAM.

1. DC voltage measurements taken with vacuum tube voltmeter.
2. Socket connections are shown as bottom views.
3. Measured values are from socket pin to common negative.
4. Nominal tolerance on component values makes possible a variation of $\pm 15\%$ in voltage and resistance readings.
5. Volume control at maximum. no signal applied for voltage measurements.

TRANSISTOR TERMINAL IDENTIFICATION

