

PHOTOFACT* Folder

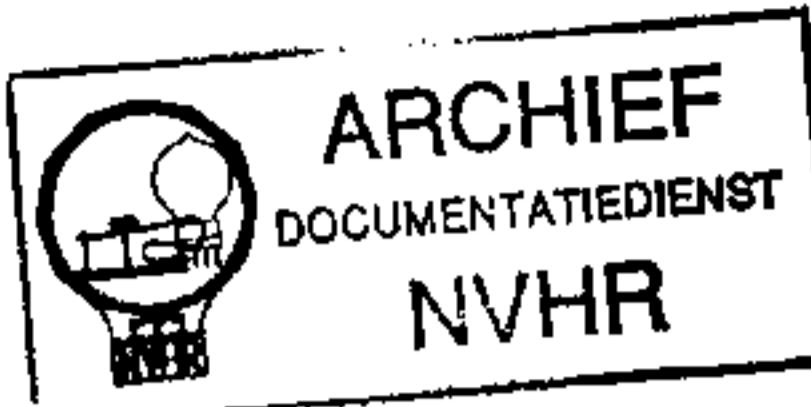


ARVIN MODEL
8584 (Ch. 1.44600)

with CIRCUITRACE

Ned. Ver. v. Historie v.

Met dank aan Jef Bos



TRADE NAME	Arvin Model 8584 (Ch. 1.44600)		
MANUFACTURER	Arvin Industries, Inc., Columbus, Indiana		
TYPE SET	Battery Operated Portable Transistorized AM Receiver		
POWER SUPPLY	6 Volts DC	RATING	6MA@6 Volts DC (No Signal, Min. Volume)
TUNING RANGE—BROADCAST	540 - 1620KC		8MA@6 Volts DC (Signal, Normal Volume)

ALIGNMENT INSTRUCTIONS

ALIGNMENT INSTRUCTIONS—READ CAREFULLY BEFORE ATTEMPTING ALIGNMENT

Volume control should be at maximum position. Output of signal generator should be no higher than necessary to obtain an output reading. Use an insulated alignment screwdriver for adjusting.

Suggested alignment tools: A1, A2, A3..... General Cement #5008, 8195, 8728, 8988, 8989
Walsco #2531, 2532
A5..... General Cement #8606, 8606L
Walsco #2543, 2544
A4, A6..... General Cement #8607, 8290, 8821, 9105, 9106, 5008, 8276, 5000, 5003
Walsco #2515, 2538, 2525, 2520, 2522, 2512, 2537, 2523, 2534

DUMMY ANTENNA	SIGNAL GENERATOR COUPLING	SIGNAL GENERATOR FREQUENCY	RADIO DIAL SETTING	OUTPUT METER	ADJUST	REMARKS
1.	Loop	455KC (400% Mod.)	Tuning gang fully open	Across voice coil	A1, A2, A3	Fashion loop of several turns of wire and radiate signal into loop of receiver. Adjust for maximum output.
2.	"	1600KC	1600KC	"	A4	"
3.	"	600KC	600KC	"	A5	Adjust for maximum output while rocking tuning gang. Repeat Steps 2 & 3.
4.	"	1400KC	Tune for 1400KC signal	"	A6	Adjust for maximum output.

HOWARD W. SAMS & CO., INC. Indianapolis 6, Indiana

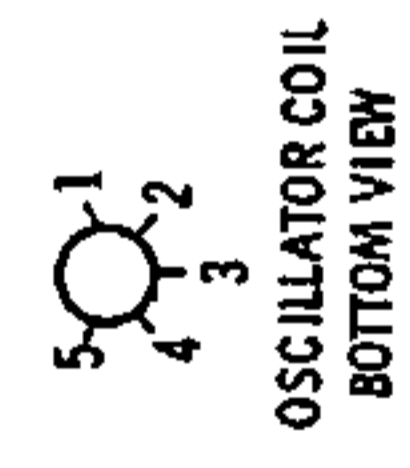
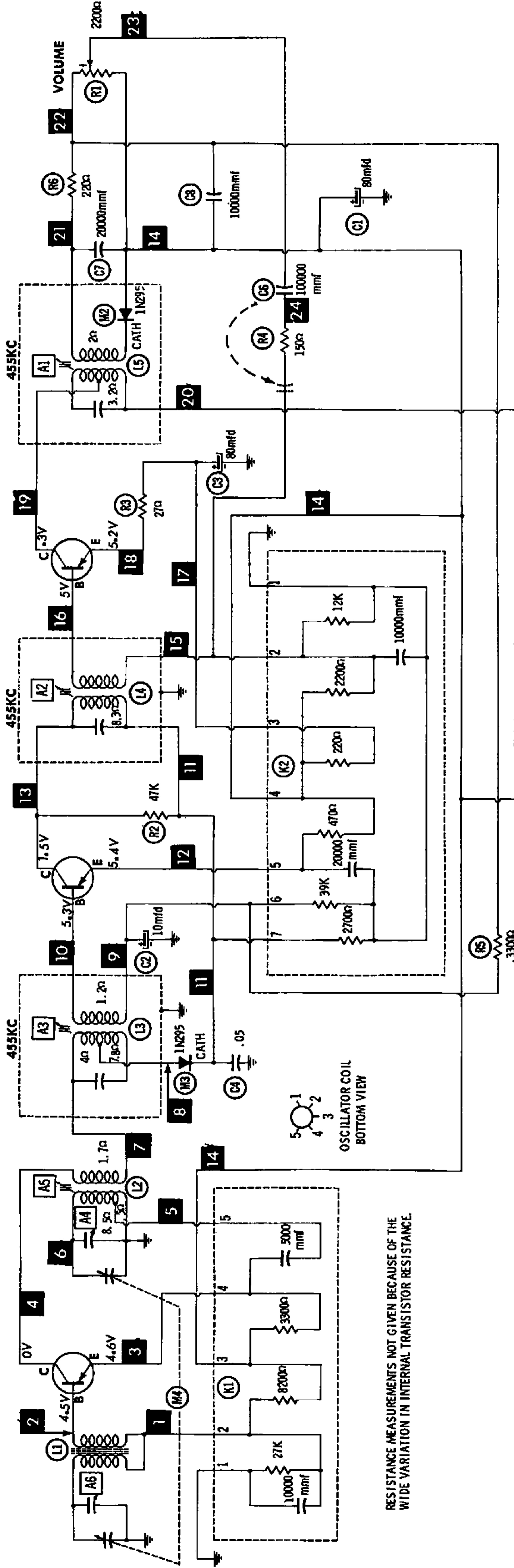
The listing of any available replacement part herein does not constitute in any case a recommendation, warranty or guaranty by Howard W. Sams & Co., Inc., as to the quality and suitability of such replacement part. The numbers of these parts have been compiled from information furnished to Howard W. Sams & Co., Inc., by the manufacturers of H842

the particular type of replacement part listed. Reproduction or use, without express permission, of editorial or pictorial content, in any manner, is prohibited. No patent liability is assumed with respect to the use of the information contained herein. © 1959 Howard W. Sams & Co., Inc., Indianapolis 6, Indiana. Printed in U.S. of America

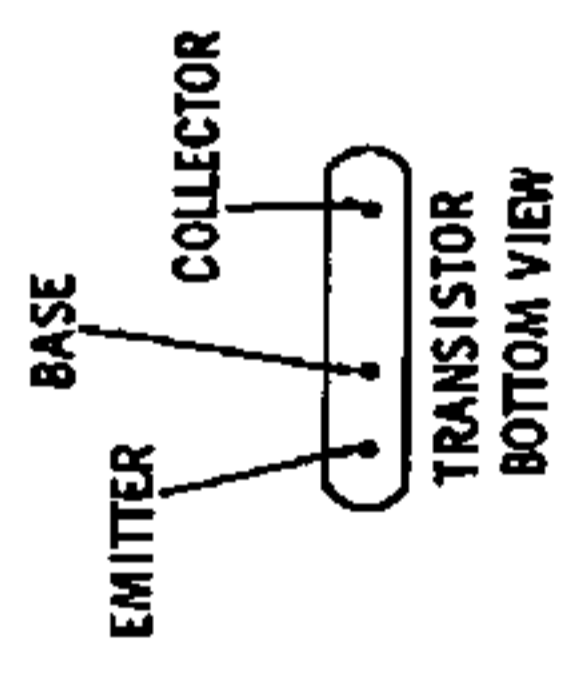
CONV
X1) 2N 252

1ST IF AMP
X2) 2N 308

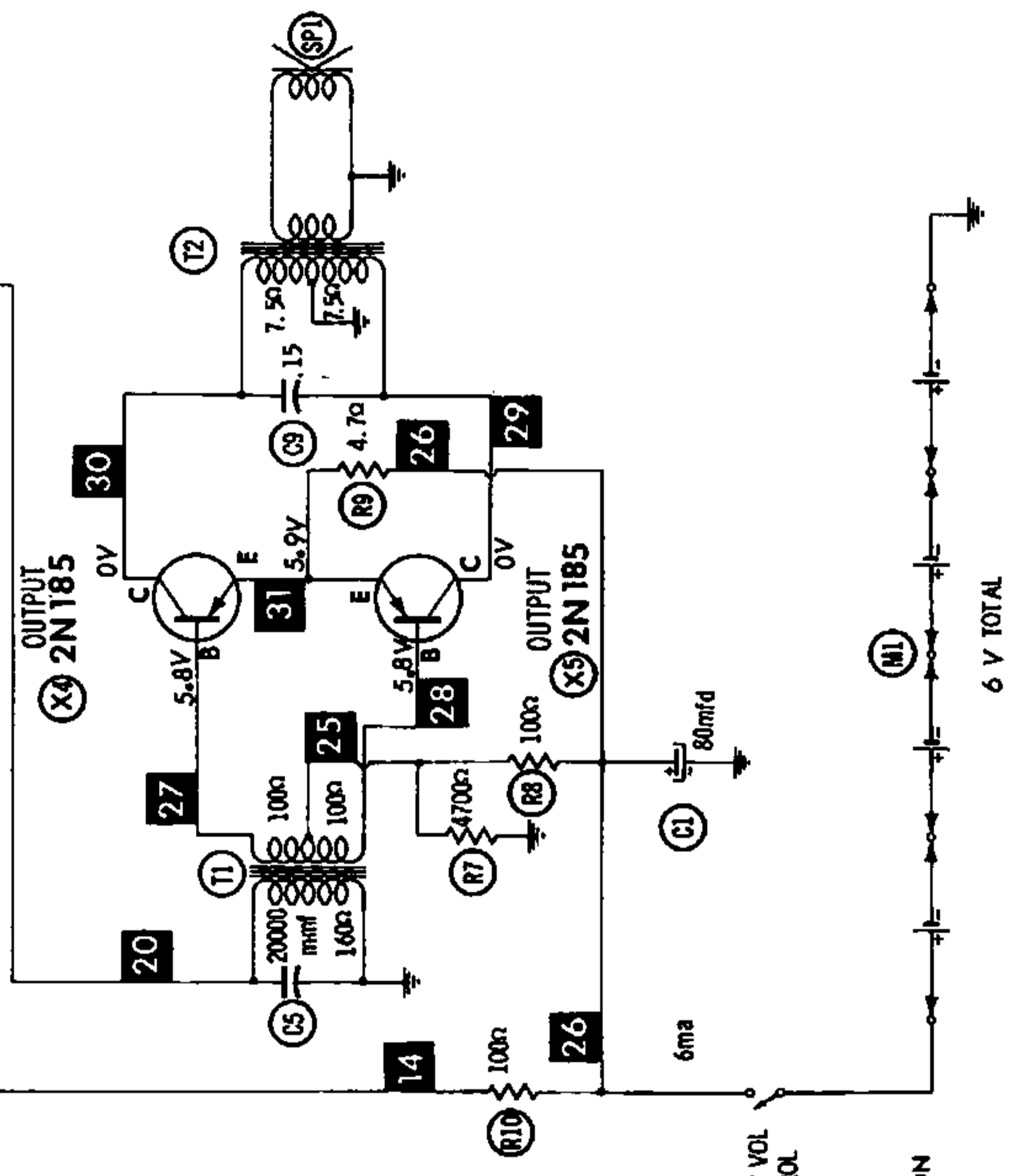
2ND IF AMP DRIVER
X3) 2N 310



RESISTANCE MEASUREMENTS NOT GIVEN BECAUSE OF THE WIDE VARIATION IN INTERNAL TRANSISTOR RESISTANCE.



1. DC voltage measurements taken with vacuum tube voltmeter;
2. Socket connections are shown as bottom views.
3. Measured values are from socket pin to common negative.
4. Nominal tolerance on component values makes possible a variation of ±15% in voltage and resistance readings.
5. Volume control at maximum. no signal applied for voltage measurements.



A PHOTOFAC STANDARD NOTATION SCHEMATIC
with CIRCUITRACI

© Howard W. Sams & Co., Inc. 1959

SEE PARTS LIST FOR ALTERNATE VALUE OR APPLICATION

DC COIL RESISTANCE VALUES UNDER ONE OHM NOT SHOWN ON SCHEMATIC DIAGRAM

ARROWS ON CONTROLS INDICATE CLOCKWISE ROTATION (CONTROL VIEWED FROM SHAFT END)

6 V TOTAL

PARTS LIST AND DESCRIPTIONS

TRANSISTORS

ITEM No.	ORIG. TYPE	USE	REPLACEMENT DATA				NOTES
			CBS PART No.	RCA PART No.	RAYTHEON PART No.	SYLVANIA PART No.	
X1	2N252	Converter 1st IF Amplifier 2nd IF Amp. -AF Driver Output Output			2N486	2N140	PNP
X2	2N308				2N483	2N139	PNP
X3	2N310				2N482	2N139	PNP
X4	2N185			2N408	2N632	2N270	PNP
X5	2N185			2N408	2N632	2N270	PNP

ELECTROLYTIC CAPACITORS

ITEM No.	RATING		REPLACEMENT DATA						
	CAP.	VOLT.	ARVIN PART No.	AEROVOX PART No.	CORNELL-DUBILIER PART No.	MALLORY PART No.	PYRAMID PART No.	SANGAMO PART No.	SPRAGUE PART No.
CLA	80	10	45719-1						VL-2950
B	80	10							
C2	10	10	44996-4	PWE10010	NL10-10	TT12X10	ML10-15		TE-1114
C3	80	10	44996-5	PWE10100	NL100-10	TT15X100			TE1119.3

FIXED CAPACITORS

Capacity values given in the rating column are in mfd. for Paper Capacitors, and in mmfd. for Mica and Ceramic Capacitors.

ITEM No.	RATING		REPLACEMENT DATA					NOTES	
	CAP.	VOLT	ARVIN PART No.	AEROVOX PART No.	CENTRALAB PART No.	CORNELL-DUBILIER PART No.	MALLORY PART No.		SPRAGUE PART No.
C4	.05	100							
C5	20000								
C6	100000							TG-P10	
C7	20000								
C8	10000							TG-S10	
C9	.15	100							

CONTROLS

ITEM No.	RATING		REPLACEMENT DATA					INSTALLATION NOTES
	RESISTANCE	WATTS	ARVIN PART No.	CENTRALAB PART No.	CLAROSTAT PART No.	IRC PART No.	MALLORY PART No.	
R1	2200Ω	1/2	45250-4					Volume & Switch

RESISTORS

All wattages 1/2 watt, or less, unless otherwise listed.

ITEM No.	RATING		ARVIN PART No.	NOTES	ITEM No.	RATING		ARVIN PART No.	NOTES
	OHMS	WATT				OHMS	WATT		
R2	47K				R7	4700Ω			
R3	27Ω				R8	100Ω			
R4	150Ω				R9	4.7Ω			
R5	3300Ω				R10	100Ω			
R6	220Ω								

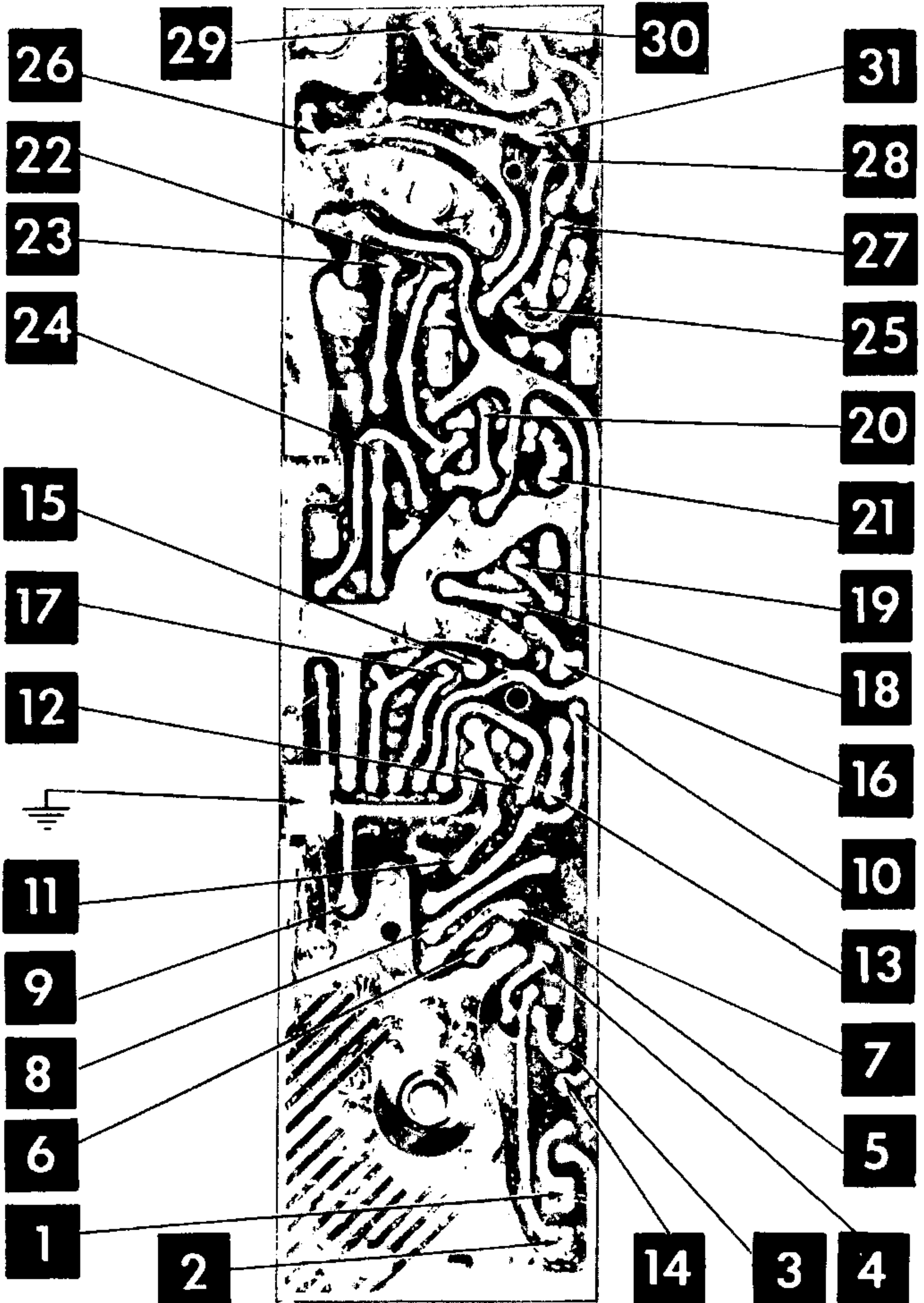
COILS (RF-IF)

ITEM No.	USE	REPLACEMENT DATA					NOTES
		ARVIN PART No.	Meissner PART No.	Merit PART No.	Miller PART No.	Ram PART No.	
L1	Loopstick	45478-93①					
L2	Osc. Coil	45783-4					
L3	1st IF	45900-2					
L4	2nd IF	45900-3					
L5	3rd IF	45900-4					

① Includes handle assembly. Part #45478-65 used with blue cabinets.

PRINTED BOARD

A Howard W. Sams **CIRCUITRACE** Photo



PARTS LIST AND DESCRIPTIONS (cont)

TRANSFORMER (DRIVER)

ITEM No.	TURNS RATIO		REPLACEMENT DATA					NOTES
			ARVIN PART No.	Halldorson PART No.	Merit PART No.	Stancor PART No.	Thordarson PART No.	
T1	1	: 1	45804-2				TR-1 ①	① Use original channel frame.

TRANSFORMER (AUDIO OUTPUT)

ITEM No.	IMPEDANCE		REPLACEMENT DATA					NOTES	
			ARVIN PART No.	Halldorson PART No.	Merit PART No.	Ram PART No.	Stancor PART No.		Thordarson PART No.
T2	250Ω CT	3-4Ω	45838-1					TY-57X ①	① Use original channel frame.

SPEAKER

ITEM No.	TYPE			REPLACEMENT DATA		NOTES
				ARVIN PART No.	QUAM PART No.	
SPI	4"	PM	3-4Ω	45800-2	4A07	

COMPONENT COMBINATIONS

ITEM No.	USE	DESCRIPTION	ARVIN PART No.	REPLACEMENT DATA
K1	Converter Circuit	10000mmf, 5000mmf, 27K, 8200Ω, 3300Ω	46000-1	
K2	IF Circuit	20000mmf, 10000mmf, 2700Ω, 39K, 470Ω, 220Ω, 12K	46000-2	

BATTERIES

ITEM No.	VOLTAGE	ARVIN PART No.	REPLACEMENT DATA						NOTES
			BURGESS		EVEREADY		MALLORY		
			"A"	"B"	"A"	"B"	"A"	"B"	
M1	6V			2R ①		950		M-13R	① 4 Used

CRYSTAL DIODES

ITEM No.	ORIG. TYPE	REPLACEMENT DATA			NOTES
		ARVIN PART No.	CBS PART No.	SYLVANIA PART No.	
M2	1N295		1N60	1N295	Detector (Pigtail) Overload (Pigtail)
M3	1N295		1N60	1N295	

MISCELLANEOUS

ITEM No.	PART NAME	ARVIN PART No.	NOTES
M4	Tuning Cap. Printed Board	45789-1 45728-1	2 Gang, Ant. 14-298mmf, Osc. 5-64mmf

CABINETS & CABINET PARTS

(When Ordering Cabinets & Cabinet Parts, Specify Model, Chassis & Color)

NAME	PART NO.	DESCRIPTION
Knob	45729	Tuning, Clear
Knob	45724-93	Volume-On-Off, Red
Knob	45724-55	Volume-On-Off, Blue
Indicator	45758-93	Station, Red
Indicator	45758-55	Station, Blue
Cabinet	45608-93	Less Handle (L1), Red
Cabinet	45608-55	Less Handle (L1), Blue

. WIRING DATA

General-use Unshielded Hook-up Wire Use BELDEN No. 8530 (Solid) Available in Ten Colors
8524 (Stranded) Available in Ten Colors

CHASSIS—TOP VIEW

