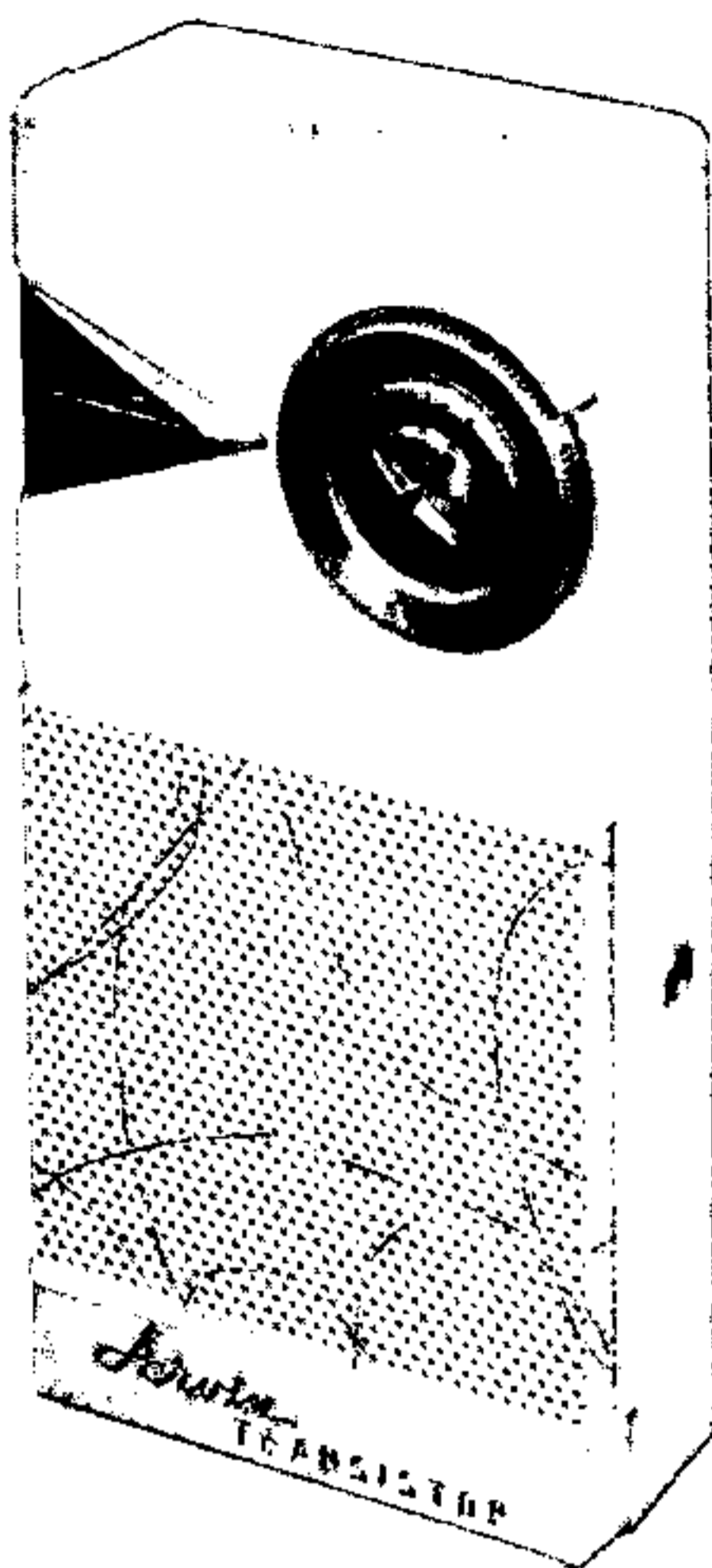
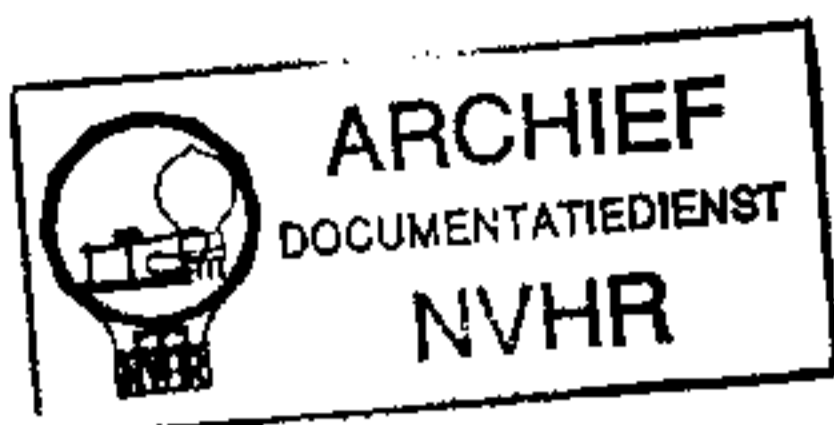




Ned. Ver. v. Historie v/d Radio



Met dank aan Jef Bos

TRADE NAME Arvin Model 8576 (Ch. 1.41400)
 MANUFACTURER Arvin Industries, Inc., Columbus, Indiana
 TYPE SET Battery Operated Portable AM Transistorized Receiver

POWER SUPPLY 9 Volts DC RATING 15MA @ 9 Volts DC
 TUNING RANGE—BROADCAST 540 - 1670KC

ALIGNMENT INSTRUCTIONS—READ CAREFULLY BEFORE ATTEMPTING ALIGNMENT

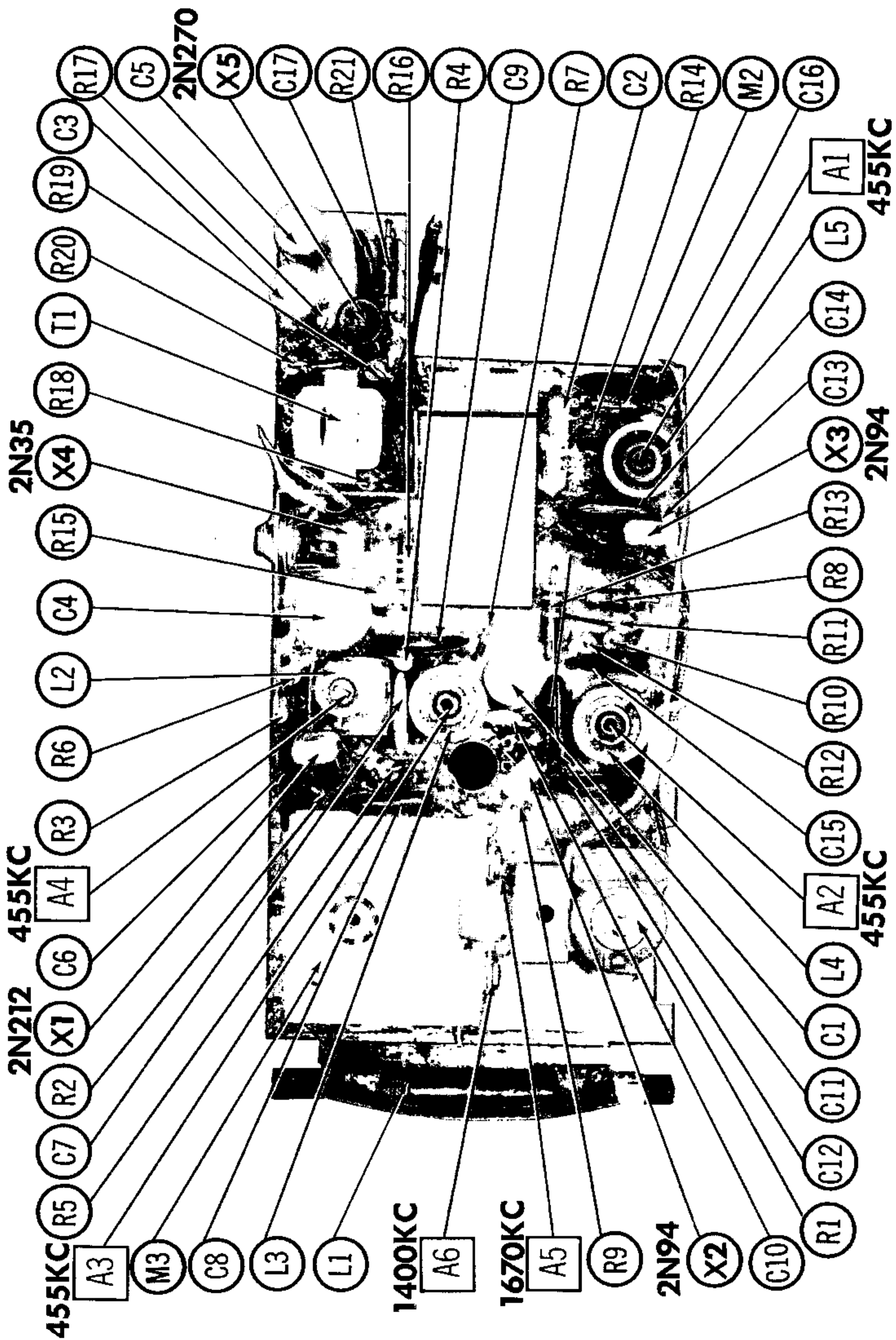
Volume control should be at maximum position. Output of signal generator should be no higher than necessary to obtain an output reading. Use an insulated alignment screwdriver for adjusting.

DUMMY ANTENNA	SIGNAL GENERATOR COUPLING	SIGNAL GENERATOR FREQUENCY	RADIO DIAL SETTING	OUTPUT METER	ADJUST	REMARKS
1. .5mfd	High side to antenna stator lug on tuning gang. Low side to B-.	455KC (400% Mod)	Tuning gang fully open	Across voice coil	A1, A2, A3, A4	Adjust for maximum deflection.
2.	Loop	1670KC	"	"	A5	Fashion loop of several turns of wire and radiate signal into loop of receiver. Adjust for maximum output.
3.	"	1400KC	1400KC	"	A6	Fashion loop of several turns of wire and radiate signal into loop of receiver. Adjust for maximum output. Repeat steps 2 & 3.

HOWARD W. SAMS & CO., INC. • Indianapolis 5, Indiana

The listing of any available replacement part herein does not constitute in any case a recommendation, warranty or guaranty by Howard W. Sams & Co., Inc., as to the quality and suitability of such replacement part. The numbers of these parts have been compiled from information furnished to Howard W. Sams & Co., Inc., by the manufacturers of H381

the particular type of replacement part listed. Reproduction or use, without express permission, of editorial or pictorial content, in any manner, is prohibited. No patent liability is assumed with respect to the use of the information contained herein. © 1958 Howard W. Sams & Co., Inc., Indianapolis 5, Indiana. Printed in U.S. of America



CHASSIS-TOP VIEW

PARTS LIST AND DESCRIPTIONS (Continued)

TRANSFORMER (AUDIO OUTPUT)

ITEM No.	IMPEDANCE		REPLACEMENT DATA						NOTES
	PRI.	SEC.	ARVIN PART No.	Halderson PART No.	Meritt PART No.	Stancor PART No.	Thordarson PART No.	Triad PART No.	
T1	612Ω	17Ω	44858	GH-105			TR-20		

SPEAKER

ITEM No.	TYPE	REPLACEMENT DATA		NOTES
		ARVIN PART No.	QUAM PART No.	
SP1	2 3/4" PM	17Ω	44280	

COILS (RF-IF)

ITEM No.	USE	REPLACEMENT DATA						NOTES
		ARVIN PART No.	Meissner PART No.	Meritt PART No.	Miller PART No.	Ram PART No.		
L1	Loop Stick	44511-2						
L2	Osc. Coil	44383-3						
L3	1st IF	44855-1						
L4	2nd IF	44855-2						
L5	3rd IF	44855-3						

BATTERIES

ITEM No.	VOLTAGE	REPLACEMENT DATA						NOTES
		ARVIN PART No.	BURGESS	EVEREADY	MALLORY	RAY-O-VAC		
M1	9V	"A"	"B"	"A"	"B"	"A"	"B"	1600

CRYSTAL DIODES

ITEM No.	ORIG. TYPE	REPLACEMENT DATA		NOTES
		ARVIN PART No.	CBS PART No.	
M2	1N2365 Ⓞ	1N60	1N60	AM Detector (Pigtail)

Ⓞ Some versions may use type 1N64G

MISCELLANEOUS

ITEM No.	PART NAME	ARVIN PART No.	NOTES
M3	Tuning Capacitor	44730	2 Gang (Ant. 33-135mmf, Osc. 35-95mmf)

CABINETS & CABINET PARTS

(When Ordering Cabinets & Cabinet Parts, Specify Model, Chassis & Color)

NAME	PART NO.	DESCRIPTION
Knob	44728-29	On-Off-Volume, Ebony
Knob	44736-35	On-Off-Volume, Turquoise
Knob	44729	Tuning
Cabinet	44559-29	Ebony
Cabinet	44559-35	Turquoise

WIRING DATA

General-use Unshielded Hook-up Wire Use BELDEN No. 8530 (Solid) Available in Ten Colors
8524 (Stranded) Available in Ten Colors

TRANSISTORS

ITEM No.	ORIG. TYPE	USE	REPLACEMENT DATA				NOTES
			CBS PART No.	RAYTIECON PART No.	SYLVANIA PART No.		
X1	2N212	Converter	2N439	2N212/2N184	2N212/2N184	Note 1	
X2	2N94	1st IF Amplifier	2N438	2N94	2N94		
X3	2N94	2nd IF Amplifier	2N438	2N94	2N94		
X4	2N35	AF Amplifier	2N439	2N35	2N35		
X5	2N270	Output	2N180	2N231/2N241A	2N231/2N241A		

Note 1. Alternate types 2N251 or 2N241A.

ELECTROLYTIC CAPACITORS

ITEM No.	RATING CAP.	VOLT.	REPLACEMENT DATA						SPRAGUE PART No.
			ARVIN PART No.	AEROVOX PART No.	CORNELL DUBILIER PART No.	MALLORY PART No.	PYRAMID PART No.	SANGAMO PART No.	
C1	10	10	44279-6	PWE10010	NL10-10	TY15X10	ML10-15	TE-1114	
C2	4	10	44395-1	XPP10004	NL5-15	TY12X5	ML4-15	TE-1127	
C3	10	10	44279-8	PWE10010	NL10-10	TY15X10	ML10-15	TE-1114	
C4A	80	10	44397-2					R2514 *	
C5	80	10	44279-7		NL100-10			R2515 *	

* Non Catalog Item

FIXED CAPACITORS

Capacity values given in the rating column are in mfd. for Paper Capacitors, and in mmfd. for Mica and Ceramic Capacitors.

ITEM No.	RATING CAP.	VOLT.	REPLACEMENT DATA						NOTES
			ARVIN PART No.	AEROVOX PART No.	CORNELL DUBILIER PART No.	ERIC PART No.	MALLORY PART No.	SPRAGUE PART No.	
C6	50000			BPD-05	DD-103	BYA-681	ED-01	DC511	TG-850
C7	100000			BPD-01	D6-681	1R5T68	ED-680		TG-810
C8	680			1464-00068	DD-203	BYB-682	ED-02		MS-368
C9	20000			BPD-02	NPO-DI 10	CI0QC	TCO-10	ZT-541	5HK-82
C10	10			1464-00047	D6-471	5R5T47	ED-470		5TCC-Q1
C11	470								MS-347
C12A	20000			BPD-2X02	TC2-27	CI0Q27C	TCO-27		5HK-252
C13	27			1464-00068	D6-681	1R5T68	ED-680		MS-368
C14	680								5HK-252
C15A	20000			BPD-2X02					TG-850
C16	50000								TG-P10
C17	1000000			BPD-06					

Ⓞ Some versions use 16mmf in this application.

CONTROLS

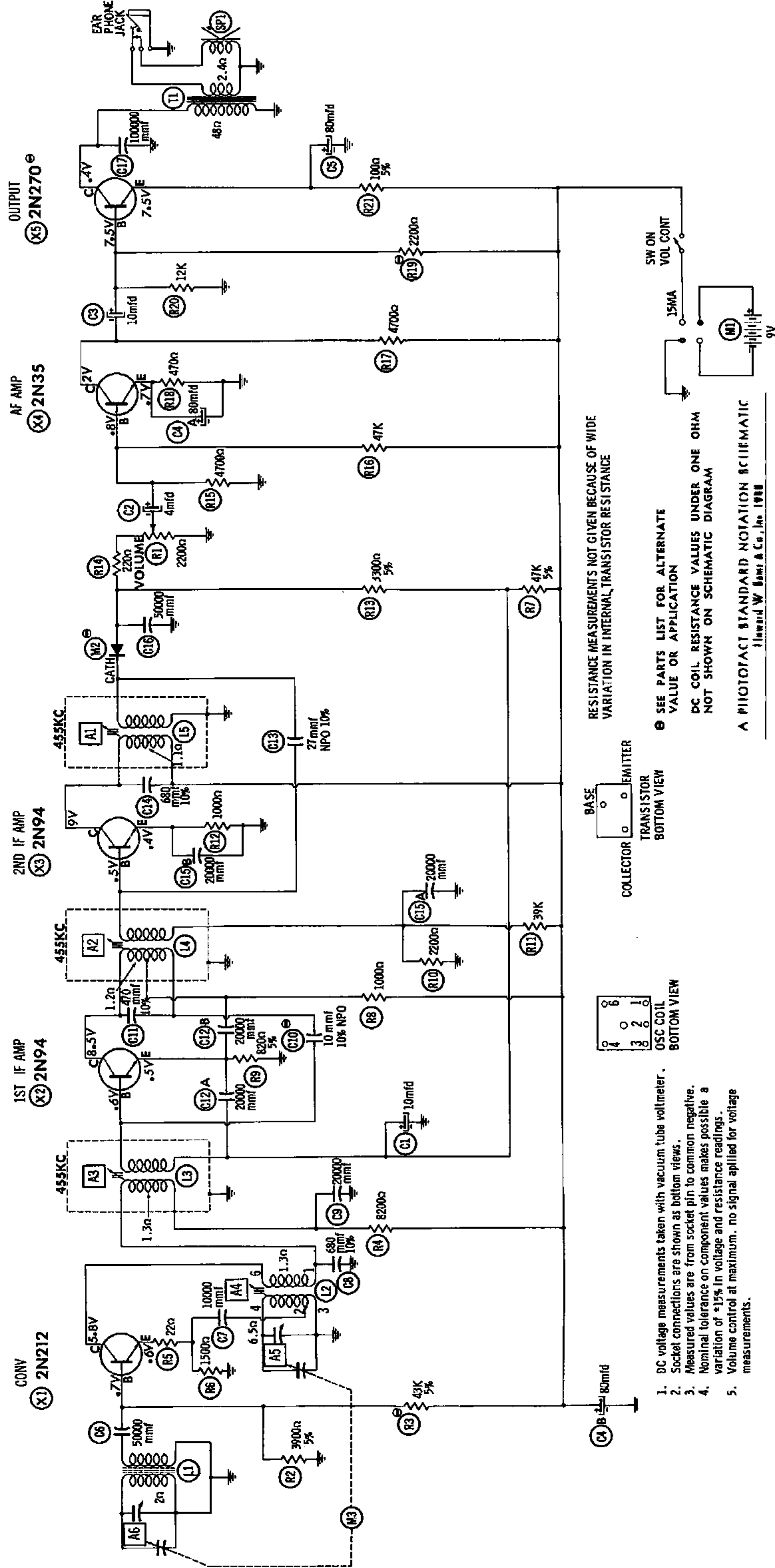
ITEM No.	RATING RESIST-ANCE	WATTS	REPLACEMENT DATA				INSTALLATION NOTES
			ARVIN PART No.	CENTRALAB PART No.	CLAROSTAT PART No.	MALLORY PART No.	
R1	2200Ω	1/4	45000-2			Volume & Switch	

RESISTORS

All wattages 1/2 watt, or less, unless otherwise listed.

ITEM No.	RATING OHMS	WATT	NOTES	RATING		ARVIN PART No.	NOTES
				OHMS	WATT		
R2	3000Ω	5%	Note 1				
R3	43K	5%					
R4	8200Ω						
R5	230						
R6	1500Ω	5%					
R7	47K	5%					
R8	1000Ω						
R9	820Ω	5%					
R10	2200Ω	5%					
R11	39K						Note 2

Note 1. Some versions use 68K in this application.
Note 2. Some versions use 3300Ω in this application.



1. DC voltage measurements taken with vacuum tube voltmeter.
2. Socket connections are shown as bottom views.
3. Measured values are from socket pin to common negative.
4. Nominal tolerance on component values makes possible a variation of *15% in voltage and resistance readings.
5. Volume control at maximum. no signal applied for voltage measurements.