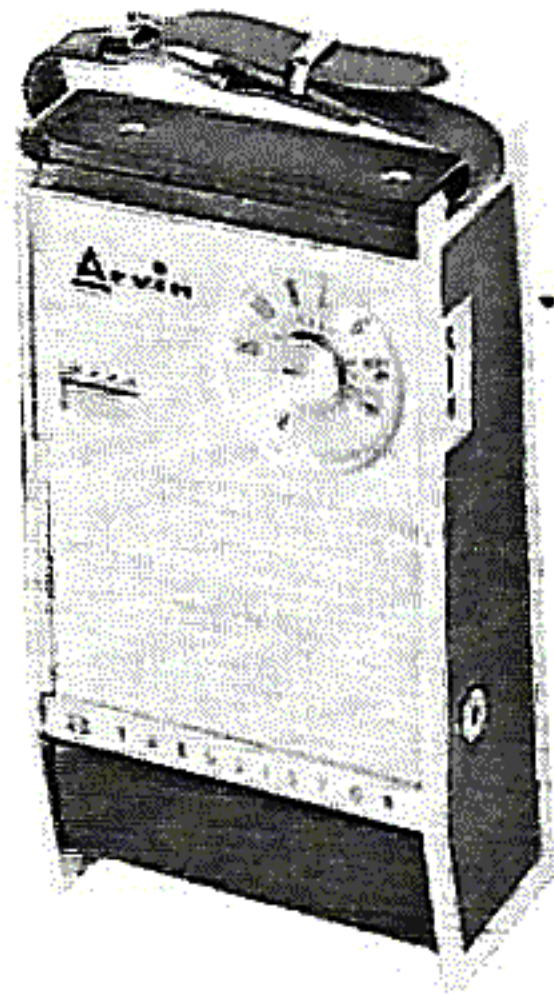




# PHOTOFACT<sup>®</sup> with

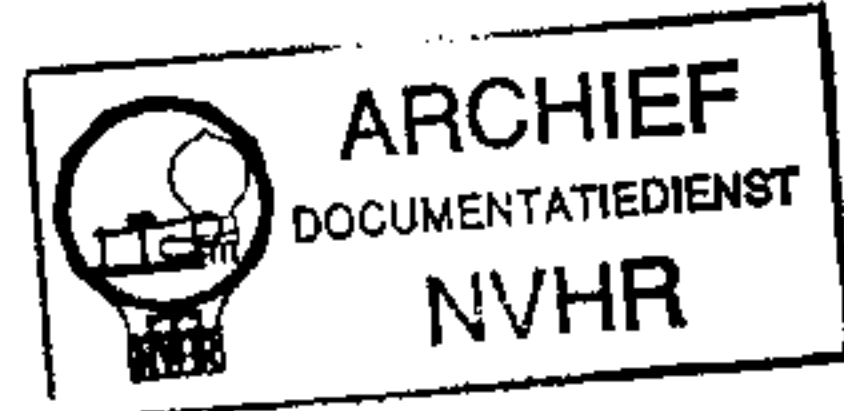
# CIRCUITRACE<sup>®</sup>



**TRADE NAME:** Arvin Models 62R48, 62R49 (Ch. 1.66401)  
**SUPPLIER:** Arvin Industries, Inc.,  
 Columbus, Indiana  
**TYPE SET:** 8 Transistor AM Receiver  
**POWER SUPPLY:** 6 Volts DC  
**RATING:** 10MA @ 6 VDC (No Signal, Min. Volume)  
 20MA @ 6 VDC (Signal, Normal Volume)  
**TUNING RANGE:** BROADCAST 535 - 1620KC

Ned. Ver. v. Historie v/

Met dank aan Jef Bos

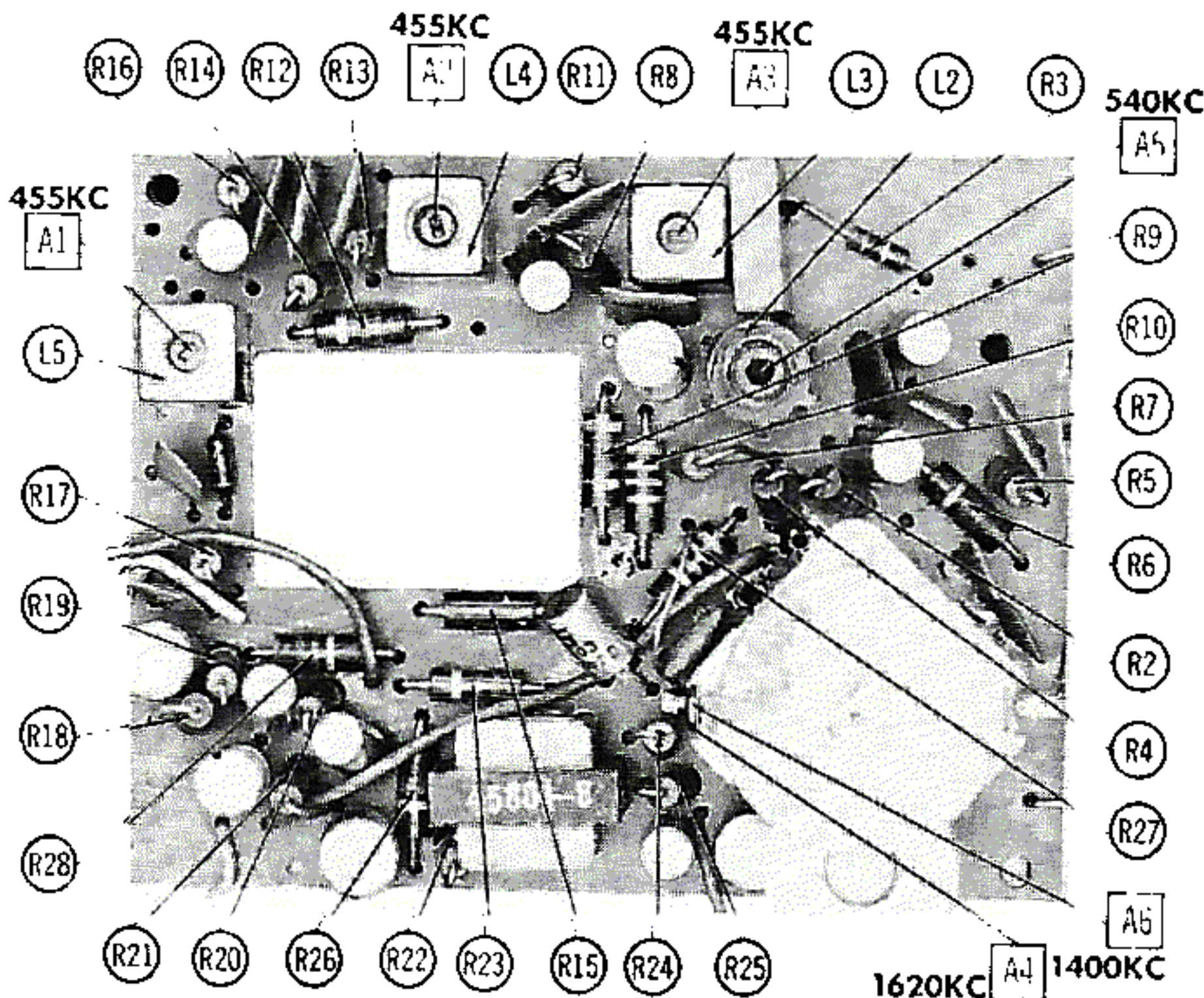


## ALIGNMENT INSTRUCTIONS

Check for specified source voltage.  
 Fashion loop of several turns of wire and connect generator across loop.  
 Adjust output of generator to radiate only enough signal into receiver to obtain a suitable indication.  
 Suggested Alignment Tools:

A1, A2, A3, A5..... GENERAL CEMENT #5067, 8282, 8606  
 WALSCO #2526, 2543  
 A4, A6..... GENERAL CEMENT #5000, 5066, 8290  
 WALSCO #2525

SIGNAL GENERATOR FREQUENCY	RADIO DIAL SETTING	INDICATOR	ADJUST	REMARKS
1. 455KC (400v Mod.)	Tuning gang fully open.	Output Meter across voice coil.	A1, A2, A3	Adjust for maximum. Repeat as required.
2. 1620KC	"	"	A4	Adjust for maximum.
3. 600KC	Tune to Signal.	"	A5	Rock tuning gang and adjust for maximum. Repeat steps 2 and 3.
4. 1400KC	"	"	A6	Adjust for maximum.



**HOWARD W. SAMS & CO., INC.** Indianapolis 6, Indiana



## WIRING DATA

General-use Unshielded Hook-up Wire .....	Use BELDEN No. 8530 (Solid 22AWG)	Available in 12 Colors
	8524 (Stranded 22AWG)	
	8570 (Stranded 26AWG)	

## TRANSISTORS

ITEM No.	MFGR. PART No.	USE	REPLACEMENT DATA			NOTES
			DELCO PART No.	GENERAL ELECTRIC PART No.	RCA PART No.	
X1	95101	Mixer	DS-25	GE-1	2N1526	PNP
X2	95102	Osc.	DS-25	GE-1	2N1525	PNP
X3	95103	1st IF Amp.	DS-25	GE-1	2N1525	PNP
X4	95102	2nd IF Amp.	DS-25	GE-1	2N1525	PNP
X5	95201	AF Amp.	DS-26	GE-2	2N408	PNP
X6	95202	Driver	DS-44	GE-8		NPN
X7	95203	Output	DS-26	GE-2	2N408	PNP
X8	95203	Output	DS-26	GE-2	2N408	PNP

## ELECTROLYTIC CAPACITORS

ITEM No.	RATING		REPLACEMENT DATA						
	CAP.	VOLT.	ARVIN PART No.	AEROVOX PART No.	CORNELL-DUBILIER PART No.	GENERAL ELECTRIC PART No.	MALLORY PART No.	PYRAMID PART No.	SPRAGUE PART No.
C1	50	10	49385-4	BCD10050	ECPB415	MT1-16	PET1575	MLV50-10	VL-1134
C2	50	10	49385-4	BCD10050	ECPB415	MT1-16	PET1575	MLV50-10	VL-1134
C3	10	10	49385-8	BCD10010	ECPB408	MT1-5	PET1340	MLV10-10	VL-1127
C4	10	10	49385-6	BCD10010	ECPB408	MT1-5	PET1340	MLV10-10	VL-1127
C5	50	10	49385-4	BCD10050	ECPB415	MT1-16	PET1575	MLV50-10	VL-1134

## FIXED CAPACITORS

ITEM No.	RATING	REMARKS	REPLACEMENT DATA					
			AEROVOX PART No.	CENTRALAB PART No.	CORNELL-DUBILIER PART No.	ELMENCO PART No.	MALLORY PART No.	SPRAGUE PART No.
C6	.05		TTD-05	CK-503	H05S5		TA-150	TG-S50
C7	.02		TTD-02	CK-203	H05S2		TA-120	TG-S20
C8	.02		TTD-02	CK-203	H05S2		TA-120	TG-S20
C9	.01		TTD-01	CK-103	H05S1		TA-110	TG-S10
C10	.02		TTD-02	CK-203	H05S2		TA-120	TG-S20
C11	560	10%	1469-00056		5R5T56	CM-20B-561	MCB247	IFM-356
C12	.05		TTD-05	CK-503	H05S5		TA-150	TG-S50
C13	.05		TTD-05	CK-503	H05S5		TA-150	TG-S50
C14	.05		TTD-05	CK-503	H05S5		TA-150	TG-S50
C15	.05		TTD-05	CK-503	H05S5		TA-150	TG-S50
C16	.05		TTD-05	CK-503	H05S5		TA-150	TG-S50
C17	.02		TTD-02	CK-203	H05S2		TA-120	TG-S20
C18	.02		TTD-02	CK-203	H05S2		TA-120	TG-S20
C19	.0015		DI-1500	DD-152	L10D15	CCD-152	GP215	10TS-D15

## CONTROLS

All wattages 1/2 watt, or less, unless otherwise listed.

ITEM No.	USE	RESISTANCE	REPLACEMENT DATA				
			ARVIN PART No.	CENTRALAB PART No.	CLAROSTAT PART No.	CTS-IRC PART No.	MALLORY PART No.
R1	Volume & Switch	2200Ω	49250-3				

# DESCRIPTION

## COILS (RF-IF)

ITEM No.	USE	REPLACEMENT DATA				NOTES
		ARVIN PART No.	MERIT PART No.	MILLER PART No.	STANCOR PART No.	
L1	Loopstick	44511-18				
L2	Osc.	45783-23				
L3	1st IF	49388-11				
L4	2nd IF	49388-21				
L5	3rd IF	49388-31				

## TRANSFORMER (DRIVER)

ITEM No.	TURNS RATIO		REPLACEMENT DATA				NOTES
			ARVIN PART No.	MERIT PART No.	STANCOR PART No.	THORDARSON PART No.	
	PRI.	SEC.1					
T1	4	1	45604-8				
		SEC. 2					
		1					

## SPEAKER

ITEM No.	TYPE	REPLACEMENT DATA		NOTES
		ARVIN PART No.	QUAM PART No.	
SPI	2 3/4" PM 45Ω	49741-3	27A06Z45	

## BATTERIES

ITEM No.	VOLTAGE	ARVIN PART No.	REPLACEMENT DATA			NOTES
			BURGESS	EVEREADY	MALLORY	
M1	6		930	1015	M15R	4 Used

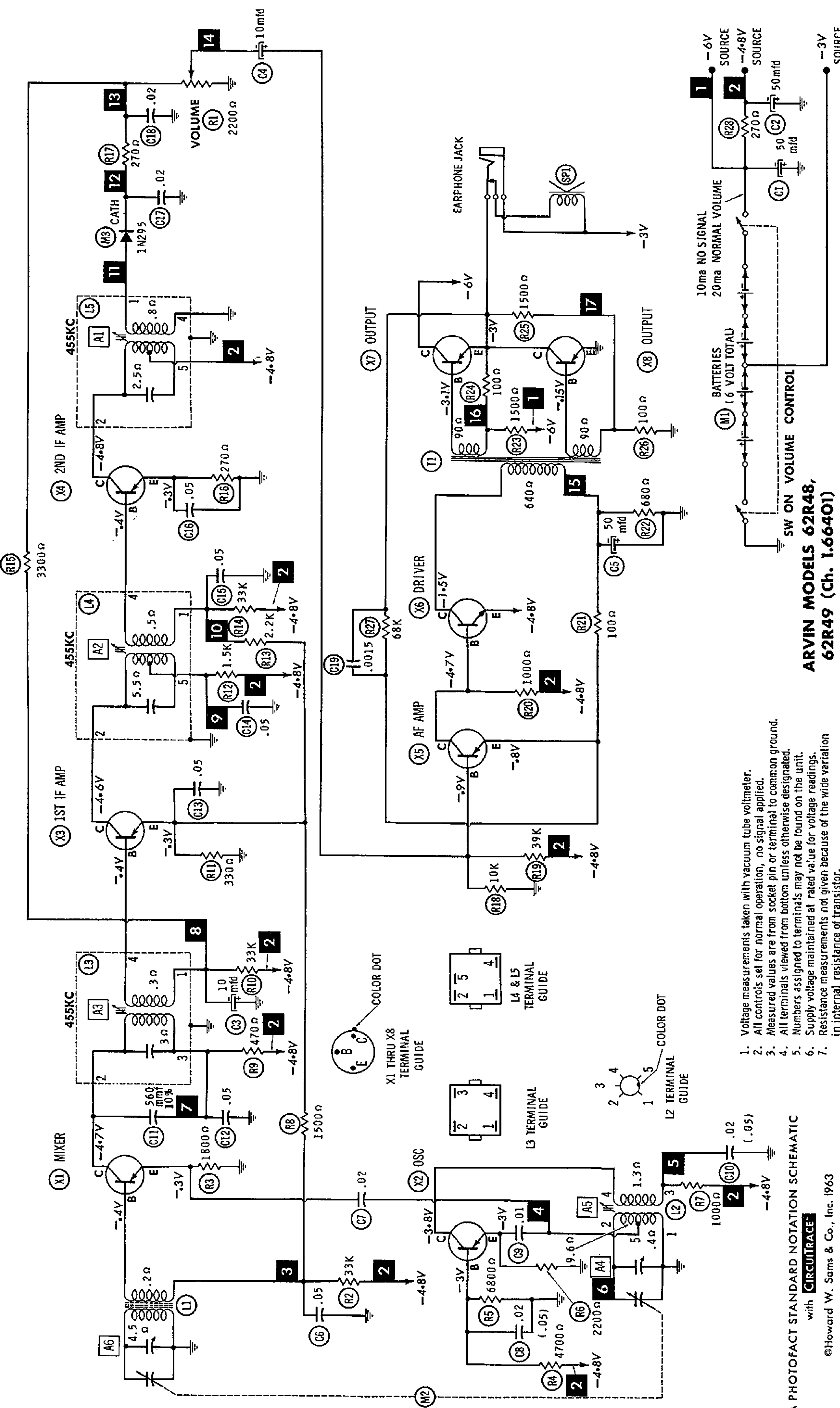
## MISCELLANEOUS

ITEM No.	PART NAME	ARVIN PART No.	NOTES
M2	Tuning Cap.	49781	2 Gang
M3	Detector (1N295)	48287	

## CABINETS & CABINET PARTS

(When Ordering Specify Model, Chassis & Color)

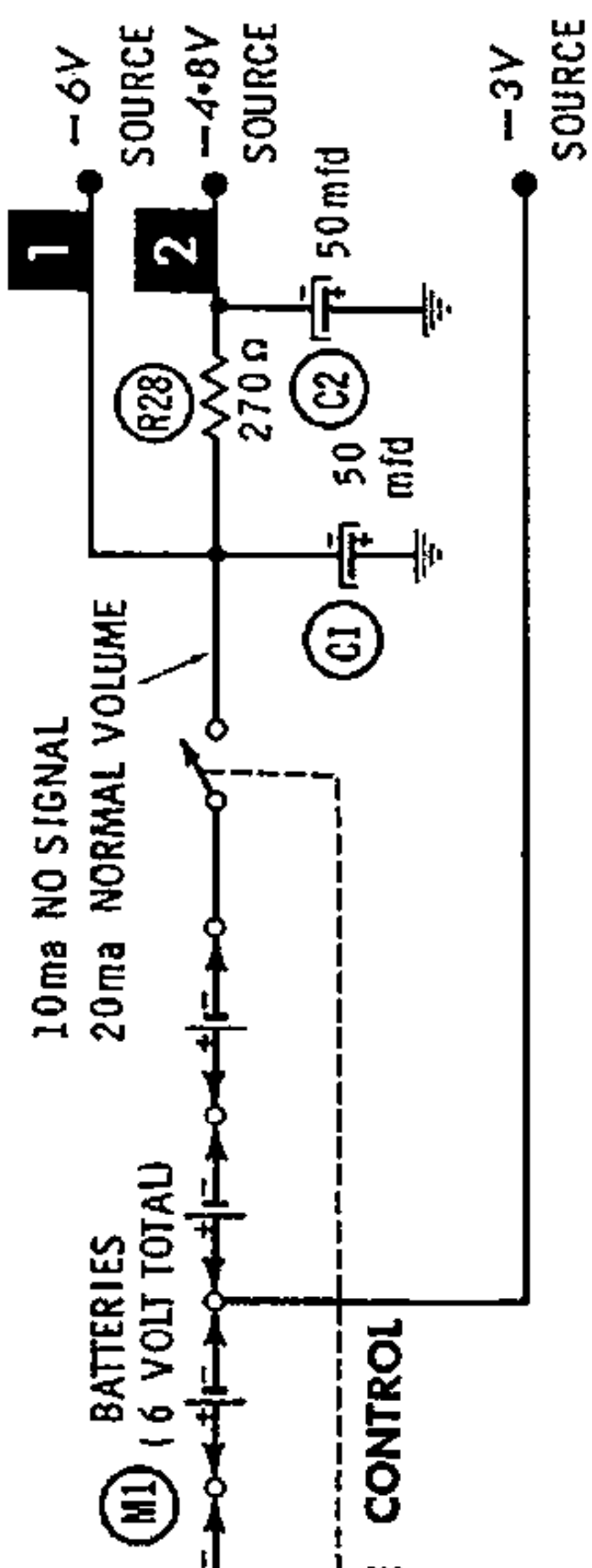
ITEM	PART No.	ITEM	PART No.
Knob, Tuning	96188	Grille	96488
Knob, Volume	49797	Cover, Rear - Brown	95965-8
Cabinet, Brown	97147-8	Cover, Rear - Black	95965-9
Cabinet, Black	97147-9		



A PHOTOFAC STANDARD NOTATION SCHEMATIC  
with **CIRCUITRACE**  
©Howard W. Sams & Co., Inc. 1963

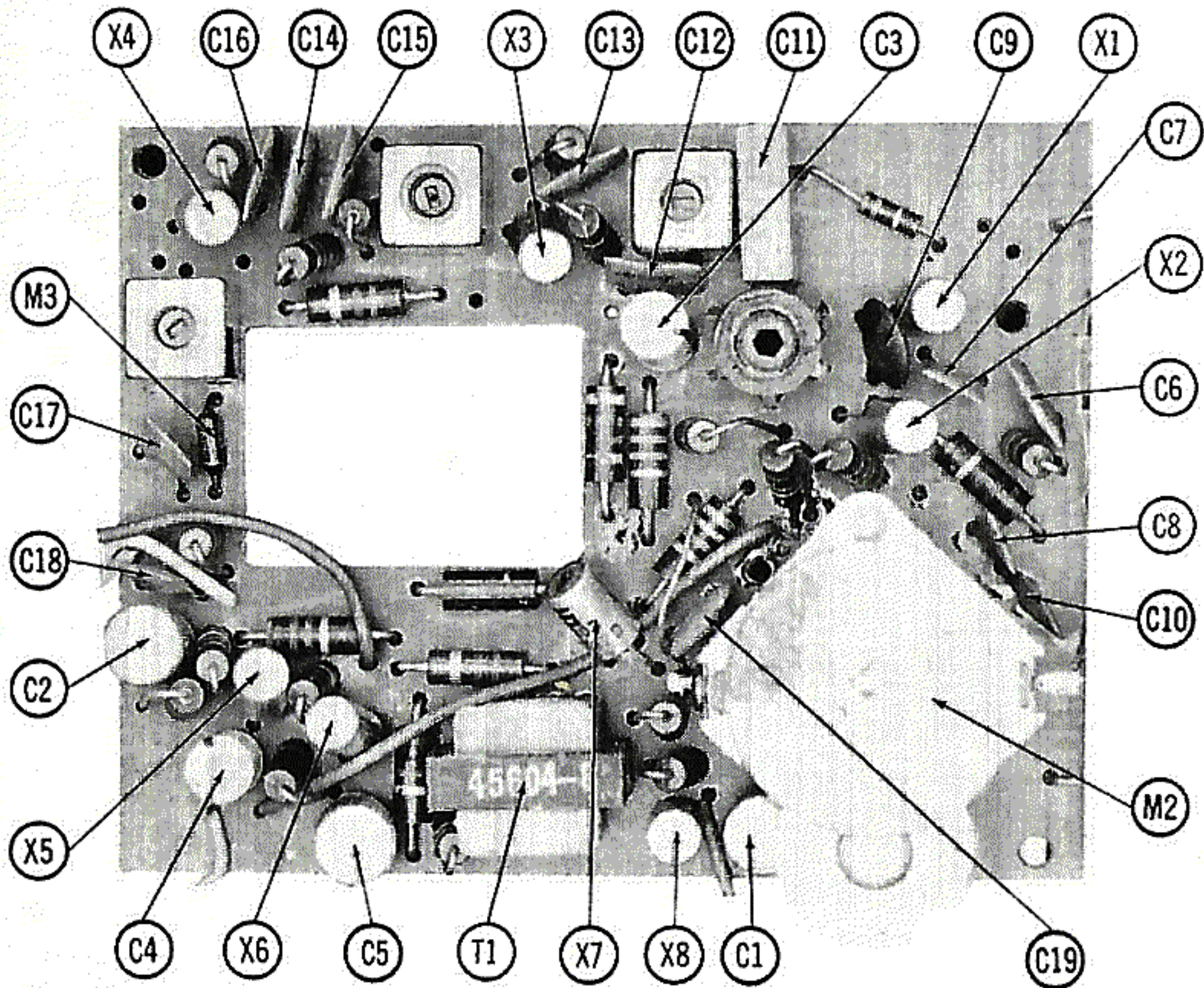
1. Voltage measurements taken with vacuum tube voltmeter.
2. All controls set for normal operation, no signal applied.
3. Measured values are from socket pin or terminal to common ground.
4. All terminals viewed from bottom unless otherwise designated.
5. Numbers assigned to terminals may not be found on the unit.
6. Supply voltage maintained at rated value for voltage readings.
7. Resistance measurements not given because of the wide variation in internal resistance of transistor.

**ARVIN MODELS 62R48,  
62R49 (Ch. 1.66401)**

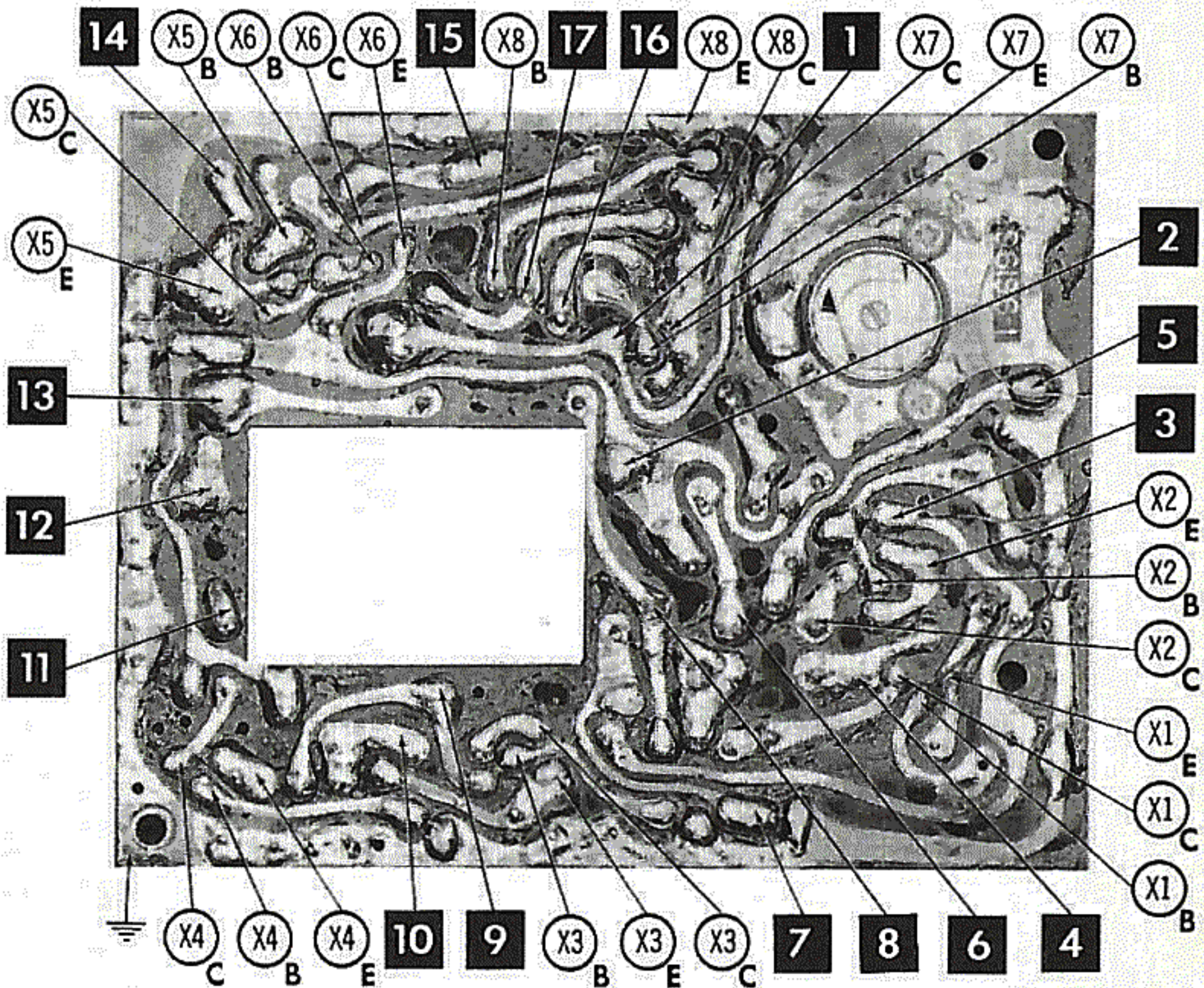


1. 10ma NO SIGNAL
2. 20ma NORMAL VOLUME









E-EMITTER B-BASE C-COLLECTOR