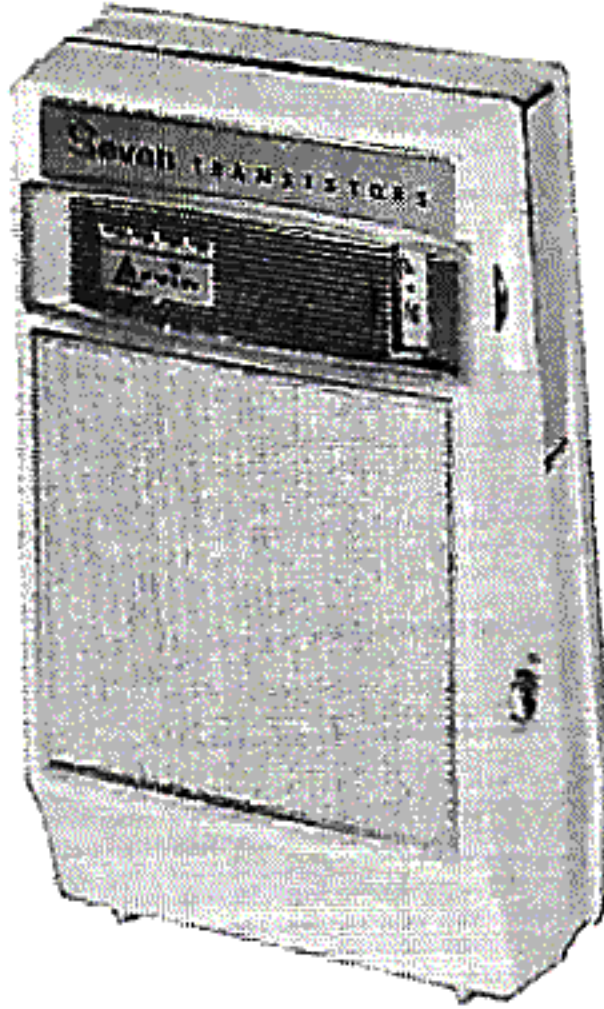
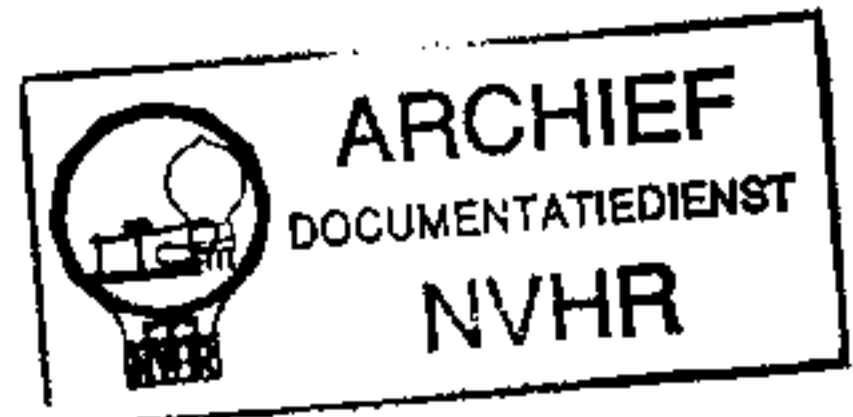




PHOTOFACT[®] with

Met dank aan Jef Bos

Ned. Ver. v. Historie v/d Radio

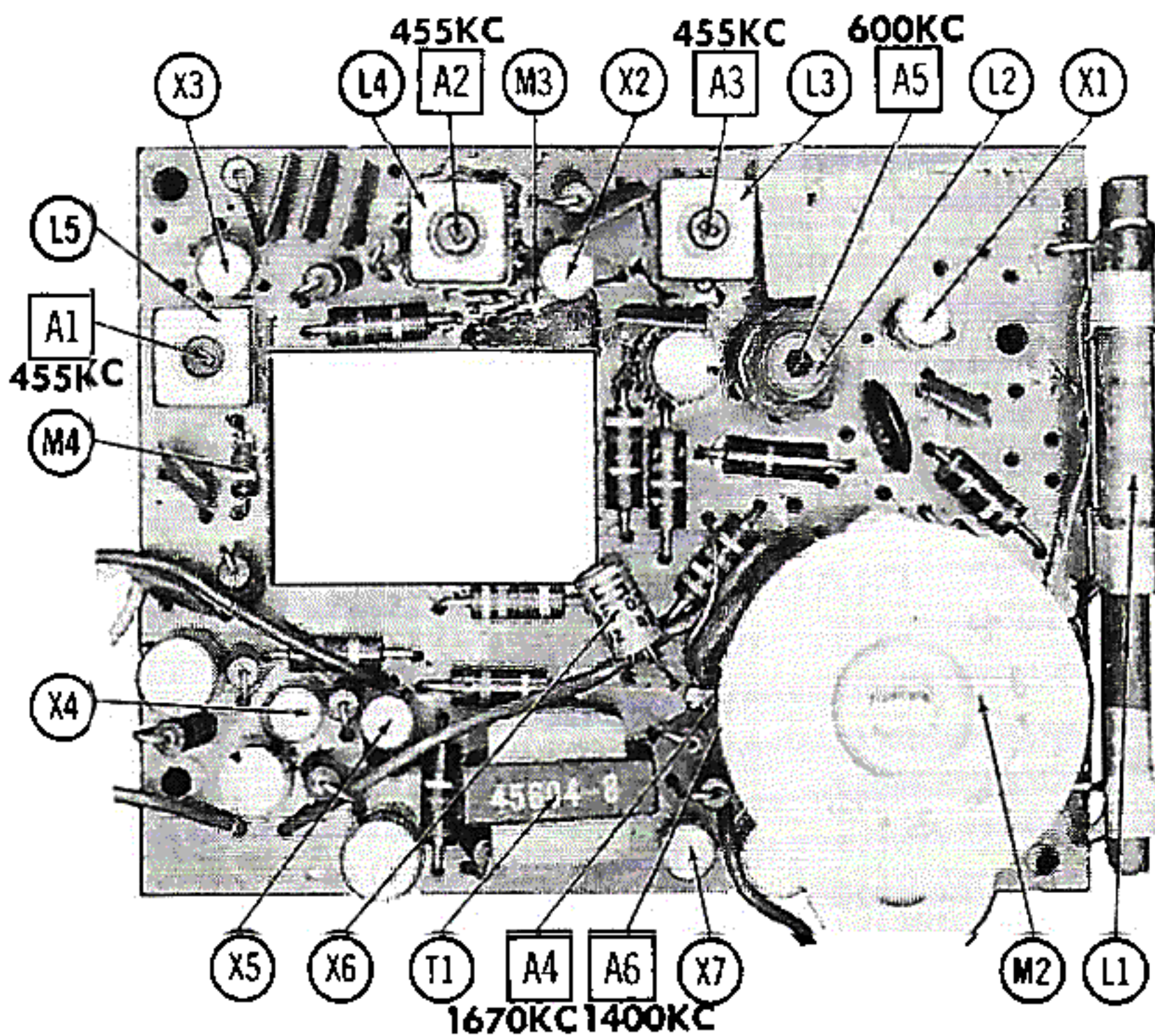


TRADE NAME : Arvin Models 62R35, 62R39(Ch.1.66801)
 SUPPLIER : Arvin Industries, Inc.
 Columbus, Indiana
 TYPE SET : 7 Transistor AM Receiver
 POWER SUPPLY : 6 Volts DC
 RATING : 10MA @ 6VDC (No Signal, Min. Volume)
 20MA @ 6VDC (Signal, Normal Volume)
 TUNING RANGE : BROADCAST 535 - 1670KC

ALIGNMENT INSTRUCTIONS

Check for specified source voltage.
 Fashion loop of several turns of wire and connect generator across loop.
 Adjust output of generator to radiate only enough signal into receiver to obtain a suitable indication.
 Suggested Alignment Tools:
 A1, A2, A3..... GENERAL CEMENT #9440
 A5..... GENERAL CEMENT #8282, 8606..... WALSCO #2526, 2543
 A4, A6..... GENERAL CEMENT #5000, 5066, 8290..... WALSCO #2525

	SIGNAL GENERATOR FREQUENCY	RADIO DIAL SETTING	INDICATOR	ADJUST	REMARKS
1.	455KC (400v Mod.)	Tuning gang fully open.	Output Meter across voice coil.	A1, A2, A3	Adjust for maximum. Repeat as required.
2.	1670KC	"	"	A4	Adjust for maximum.
3.	600KC	Tune to Signal.	"	A5	Rock tuning gang and adjust for maximum. Repeat steps 2 and 3.
4.	1400KC	"	"	A6	Adjust for maximum.



HOWARD W. SAMS & CO., INC. Indianapolis 6, Indiana

WIRING DATA

General-use Unshielded Hook-up Wire	Use BELDEN No. 8530 (Solid 22AWG)	Available
	8524 (Stranded 22AWG)	In
	8570 (Stranded 26AWG)	12 Colors

TRANSISTORS

ITEM No.	ARVIN Part No.	USE	REPLACEMENT DATA			NOTES
			DELCO PART No.	GENERAL ELECTRIC PART No.	RCA PART No.	
X1	S95101	Converter	DS-25	GE-1		PNP
X2	S95103	1st IF Amplifier	DS-25	GE-1		PNP
X3	S95102	2nd IF Amplifier	DS-25	GE-1		PNP
X4	S95201	AF Amplifier	DS-26	GE-2	2N406	PNP
X5	S95202	Driver	DS-44	GE-8	2N649	NPN
X6	S95203	Output	DS-26	GE-2	2N408	PNP
X7	S95203	Output	DS-26	GE-2	2N408	PNP

ELECTROLYTIC CAPACITORS

ITEM No.	RATING		REPLACEMENT DATA						
	CAP.	VOLT.	ARVIN PART No.	AEROVOX PART No.	CORNELL-DUBILIER PART No.	GENERAL ELECTRIC PART No.	GENERAL INSTRUMENT PART No.	MALLORY PART No.	SPRAGUE PART No.
C1	50	10	49385-4	BCD10050	NLW50-10	MT1-16			
C2	50	10	49385-4	BCD10050	ECPB415	MT1-16	MLV50-10	PET1575	VL-1134
C3	10	10	49385-6	BCD10010	ECPB408	MT1-5	MLV10-10	PET1760	VL-1127
C4	10	10	49385-6	BCD10010	ECPB408	MT1-5	MLV10-10	PET1760	VL-1127
C5	50	10	49385-4	BCD10050	ECPB415	MT1-16	MLV50-10	PET1575	VL-1134

FIXED CAPACITORS

ITEM No.	RATING	REMARKS	REPLACEMENT DATA						
			AEROVOX PART No.	CENTRALAB PART No.	CORNELL-DUBILIER PART No.	ELMENCO PART No.	MALLORY PART No.	SPRAGUE PART No.	
C6	.02		TTD-02	CK-203	H3			TA-120	TG-S20
C7	.01		TTD-01	CK-103	H2			TA-110	TG-S10
C8	560 10%		1468-00056	5R5T56		CM-20B-152K		MCB456	MS-356
C9	.05		TTD-05	CK-503	H5			TA-150	TG-S50
C10	.05		TTD-05	CK-503	H5			TA-150	TG-S50
C11	.05		TTD-05	CK-503	H5			TA-150	TG-S50
C12	.05		TTD-05	CK-503	H5			TA-150	TG-S50
C13	.05		TTD-05	CK-503	H5			TA-150	TG-S50
C14	.02		TTD-02	CK-203	H3			TA-120	TG-S20
C15	.02		TTD-02	CK-203	H3			TA-120	TG-S20
C16	.0015		DI-1500	DD-152	L10T15	CCD-152		GP215	10TS-D15

CONTROLS

All wattages 1/2 watt, or less, unless otherwise listed.

ITEM No.	USE	RESISTANCE	REPLACEMENT DATA				
			ARVIN PART No.	CENTRALAB PART No.	CLAROSTAT PART No.	CTS-IRC PART No.	MALLORY PART No.
R1	Volume & Switch	2200Ω	49250-3				

D DESCRIPTION

COILS (RF-IF)

ITEM No.	USE	REPLACEMENT DATA				NOTES
		ARVIN PART No.	MERIT PART No.	MILLER PART No.	STANCOR PART No.	
L1	Loopstick	44511-12				
L2	Osc.	45783-26				
L3	1st IF	49388-11				
L4	2nd IF	49388-21				
L5	3rd IF	49388-31				

TRANSFORMER (DRIVER)

ITEM No.	TURNS RATIO		REPLACEMENT DATA					NOTES
			ARVIN PART No.	MERIT PART No.	STANCOR PART No.	THORDARSON PART No.	TRIAD PART No.	
	PRI.	SEC.1						
T1	3, 8	1	45804-8					
		SEC.2						
		1						

SPEAKER

ITEM No.	TYPE	REPLACEMENT DATA		NOTES
		ARVIN PART No.	QUAM PART No.	
SP1	2 3/4" PM 45Ω	49741-3	27A06Z45	

BATTERIES

ITEM No.	VOLTAGE	ARVIN PART No.	REPLACEMENT DATA			NOTES
			BURGESS	EVEREADY	MALLORY	
M1	6		930 (or AL-9, Hg-9)	1015 (or E91, E9)	M-15R (or MN1500, ZM-9)	4 Required

MISCELLANEOUS

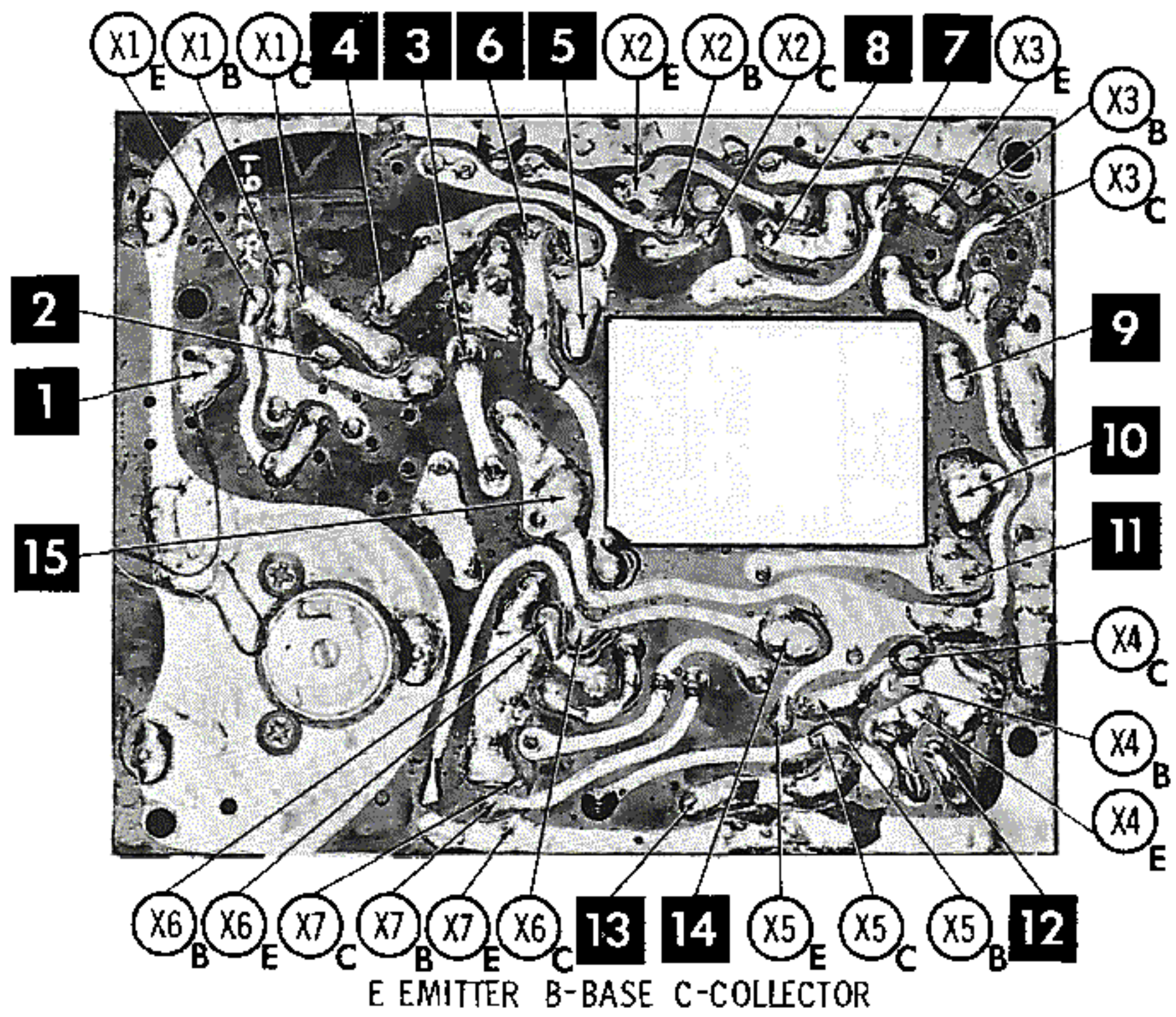
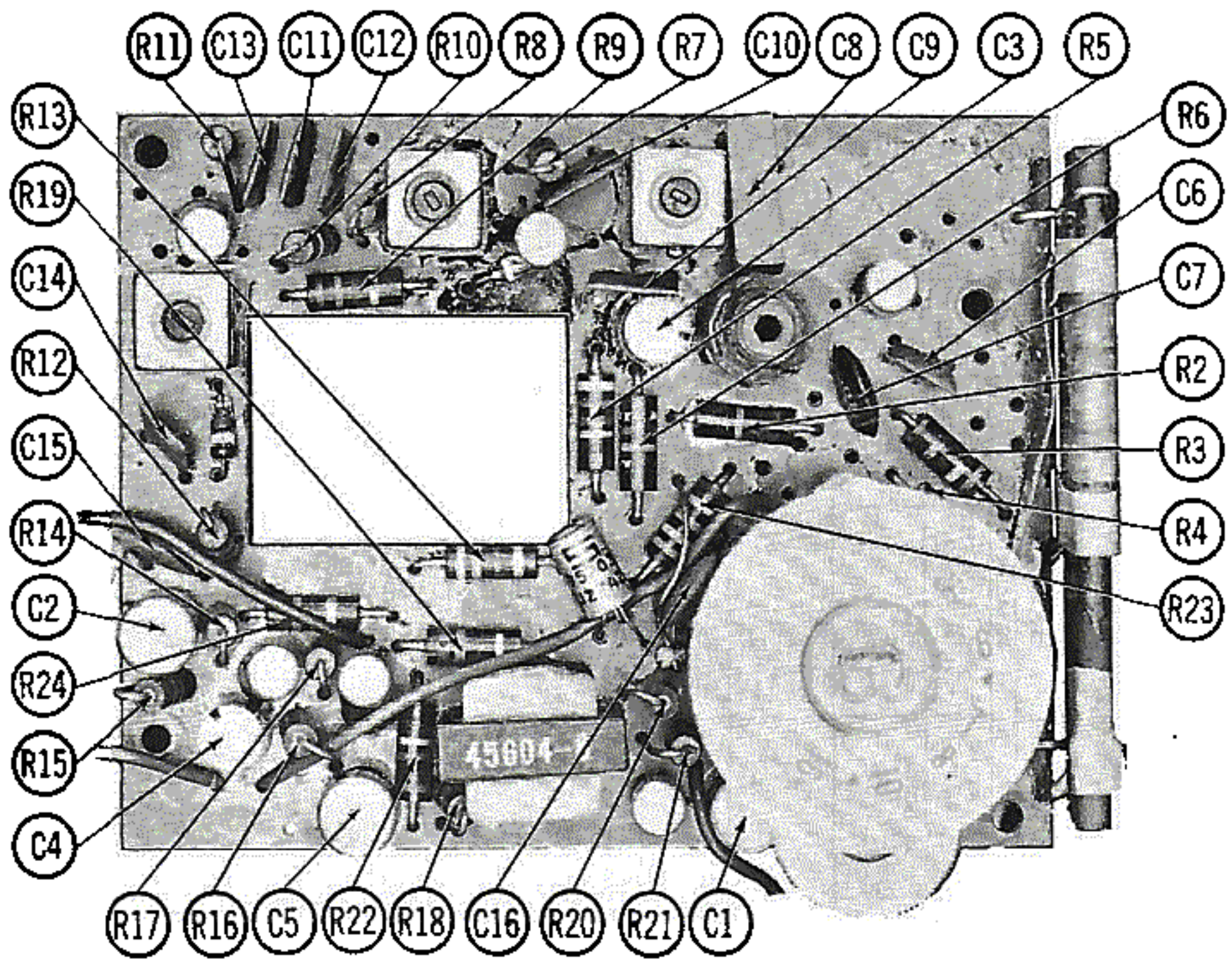
ITEM No.	PART NAME	ARVIN PART No.	NOTES
M2	Tuning Cap.	96490	
M3	Overload (1N295)	48287	
M4	Detector (1N295)	48287	

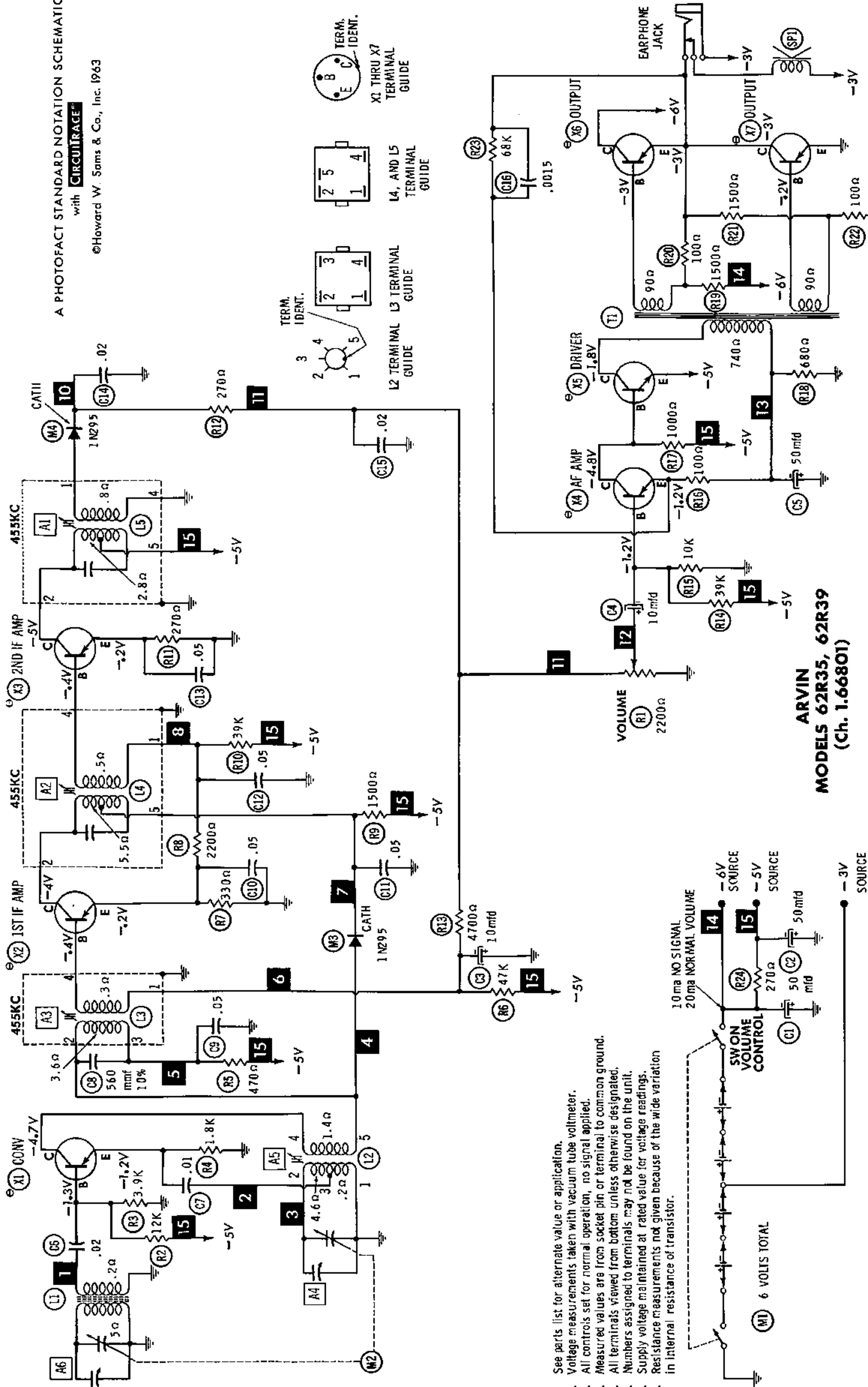
CABINETS & CABINET PARTS

(When Ordering Specify Model, Chassis & Color)

ITEM	PART No.	ITEM	PART No.
Knob - Volume	49797	Cabinet Rear - Charcoal	96262-9
Cabinet Front - Blue	97250-5	Indicator - Tuning	96266-1
Cabinet Front - Charcoal	97250-9	Handle	96265-1
Cabinet Rear - Blue	96262-85		

ARVIN MODELS 62R35





ARVIN
MODELS 62R35, 62R39
(Ch. 1.66801)

- See parts list for alternate value or application.
1. Voltage measurements taken with vacuum tube voltmeter.
 2. All controls set for normal operation, no signal applied.
 3. Measured values are from socket pin or terminal to common ground.
 4. All terminals viewed from bottom unless otherwise designated.
 5. Numbers assigned to terminals may not be found on the unit.
 6. Supply voltage maintained at rated value for voltage readings.
 7. Resistance measurements not given because of the wide variation in internal resistance of transistor.

