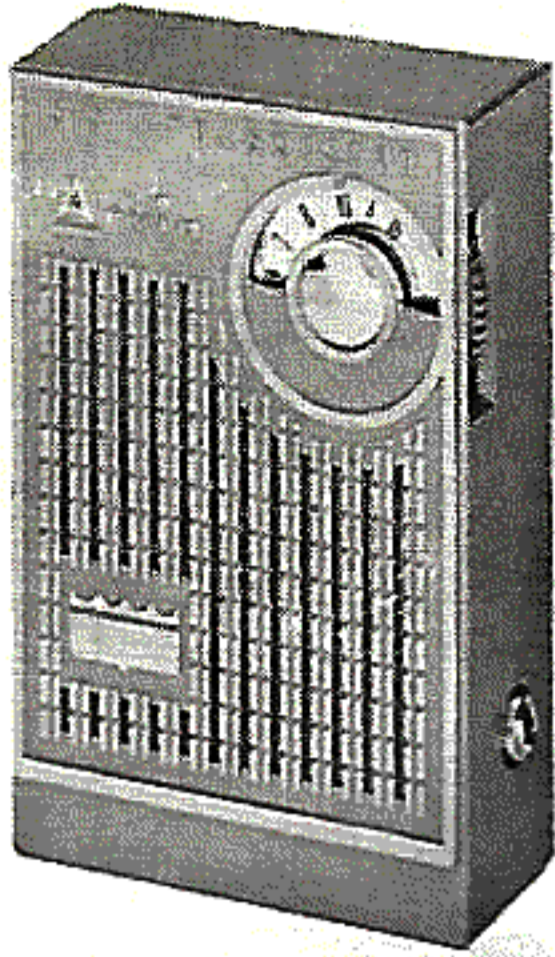




PHOTOFACT[®] with

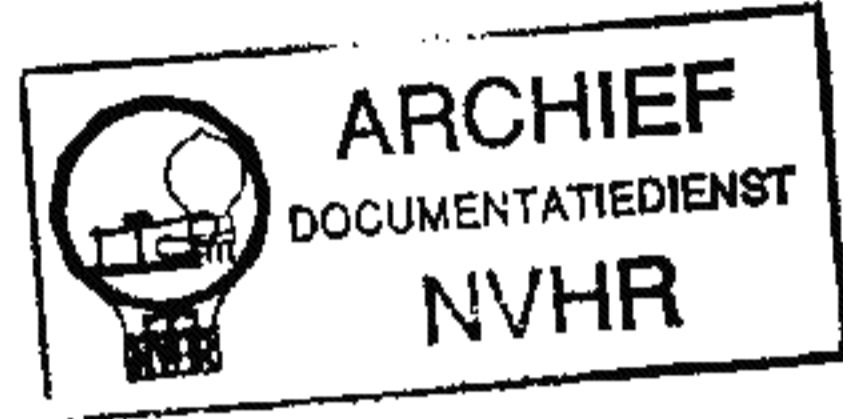
CIRCUITRACE[®]



Met dank aan Jef Bos

TRADE NAME : Arvin Models 62R13, 62R16, 62R19, 62R23, 62R26, 62R29 (Ch. I. 66502)
 SUPPLIER : Arvin Industries, Inc., Columbus, Indiana
 TYPE SET : 6 Transistor AM Receiver
 POWER SUPPLY : 9 Volts DC
 RATING : 6MA @ 9VDC (No Signal, Min. Volume)
 16MA @ 9VDC (Signal, Normal Volume)
 TUNING RANGE : BROADCAST 535 - 1640KC

Ned. Ver. v. Historie v/c



ALIGNMENT INSTRUCTIONS

Check for specified source voltage.

Fashion loop of several turns of wire and connect generator across loop.

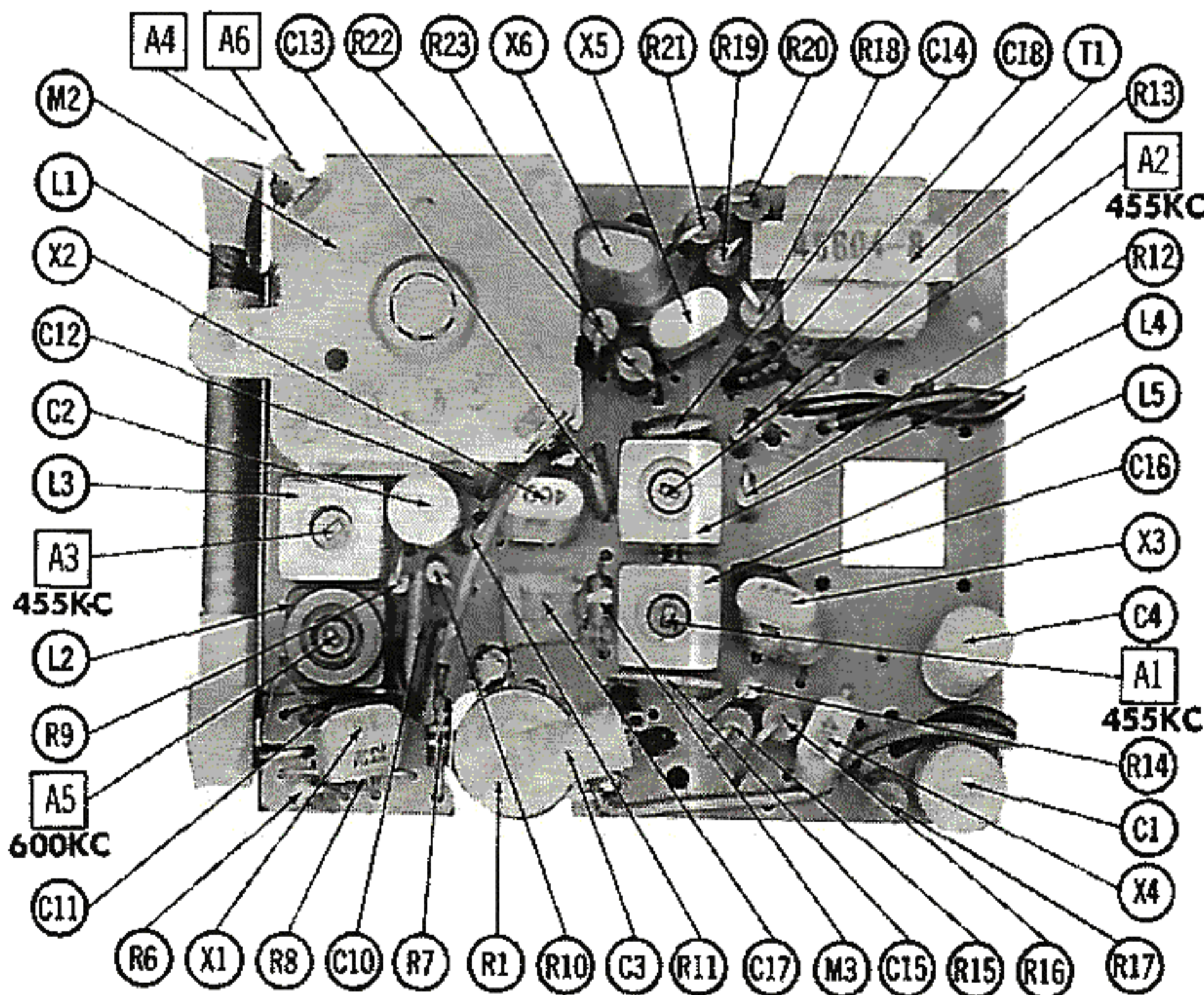
Adjust output of generator to radiate only enough signal into receiver to obtain a suitable indication.

Suggested Alignment Tools:

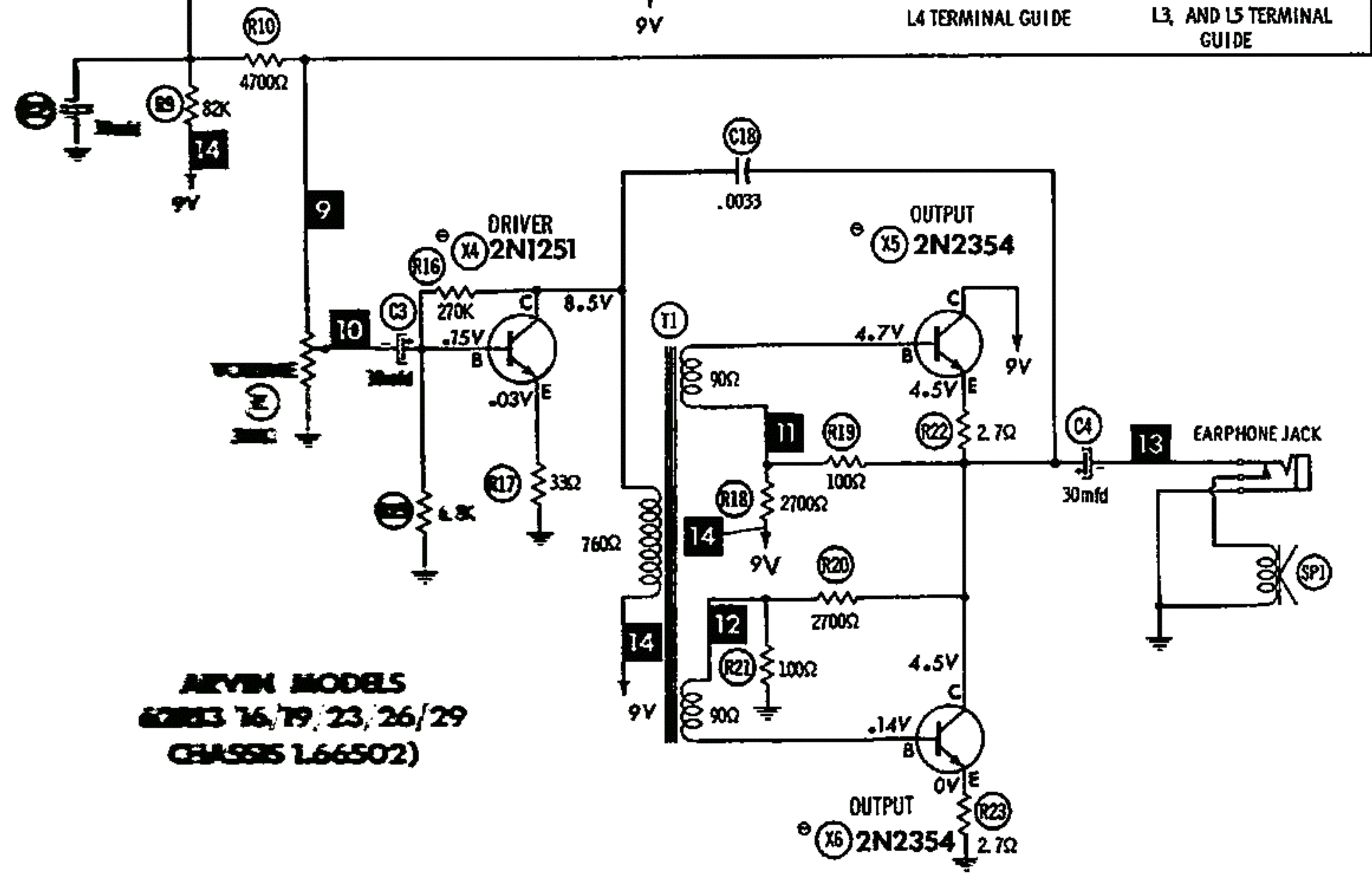
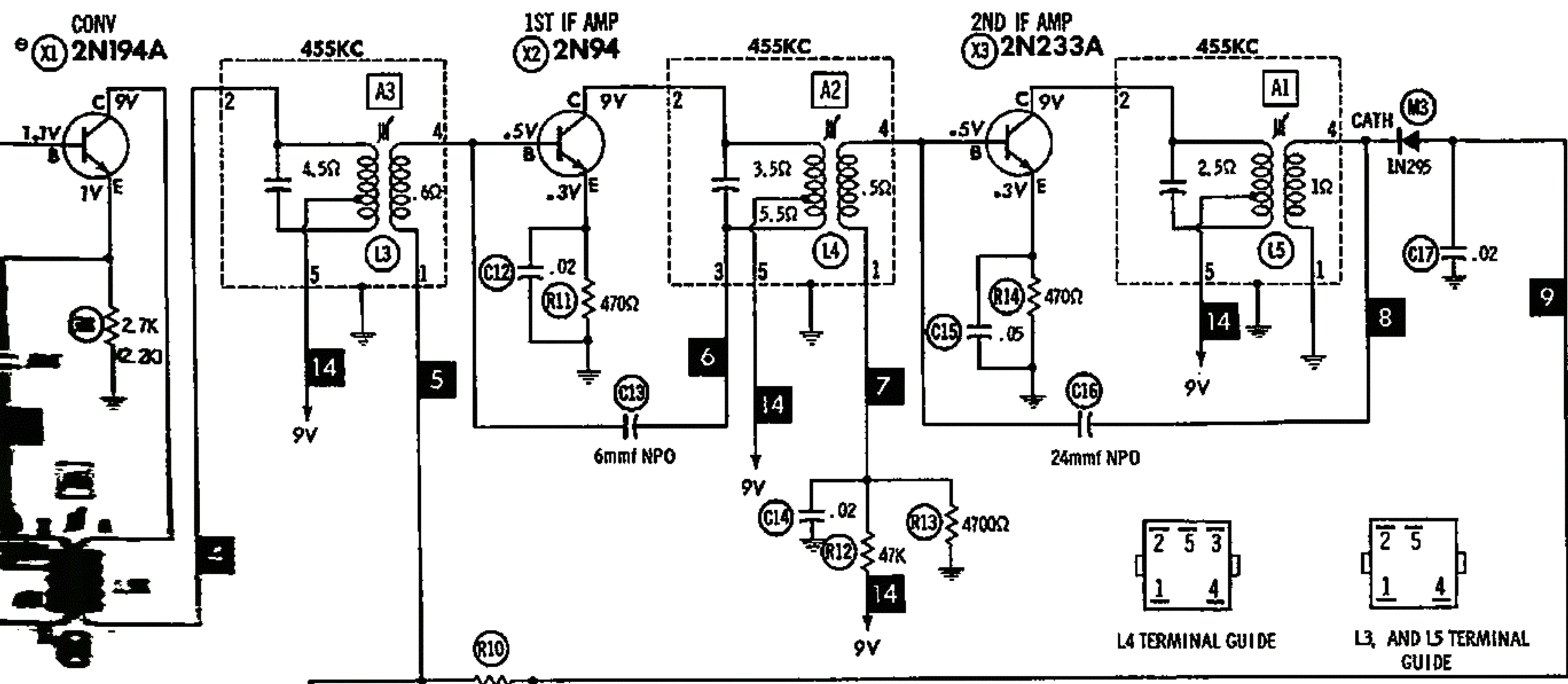
A1, A2, A3, A5.....GENERAL CEMENT #9440

A4, A6.....GENERAL CEMENT #8290, 5000, 5086...WALSCO #2528, 2525, 2512

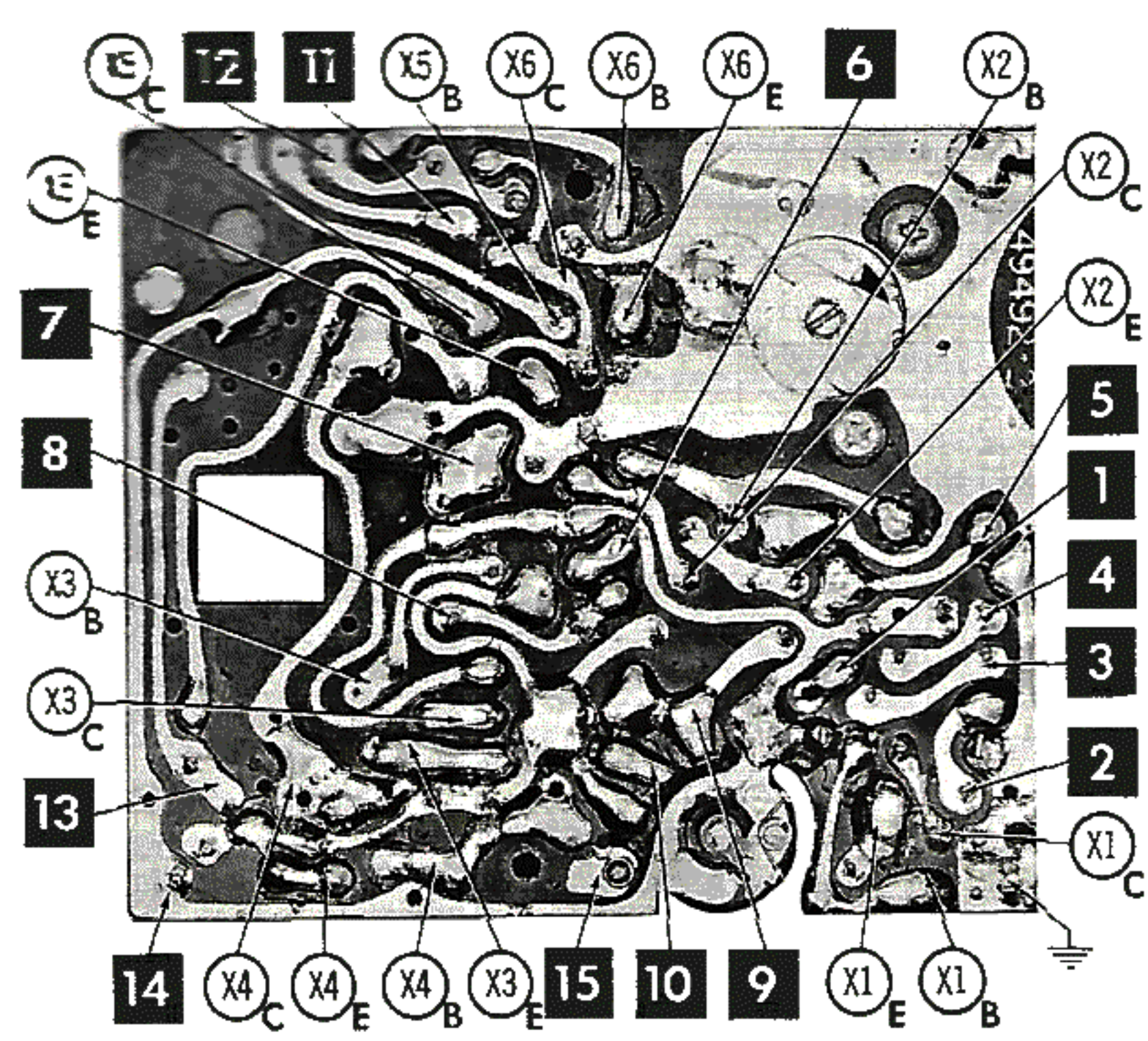
SIGNAL GENERATOR FREQUENCY	RADIO DIAL SETTING	INDICATOR	ADJUST	REMARKS
1. 455KC (400v Mod.)	Tuning gang fully open.	Output Meter across voice coil.	A1, A2, A3	Adjust for maximum. Repeat as required.
2. 1640KC	"	"	A4	Adjust for maximum.
3. 600KC	Tune to Signal.	"	A5	Rock tuning gang and adjust for maximum. Repeat steps 2 and 3.
4. 1400KC	"	"	A6	Adjust for maximum.



HOWARD W. SAMS & CO., INC. Indianapolis 6, Indiana



ARVIN MODELS
62R13, 16, 19, 23, 26/29
(CLASS 1.66S02)



E-EMITTER B-BASE C-COLLECTOR

TRANSISTORS

ITEM No.	ORIG. TYPE	USE	REPLACEMENT DATA			NOTES
			DELCO PART No.	GENERAL ELECTRIC PART No.	RCA PART No.	
X1	2N194A ^①	Converter	DS-46	GE-7	2N649	NPN
X2	2N94	1st IF Amplifier	DS-46	GE-7		NPN
X3	2N233A	2nd IF Amplifier	DS-46	GE-7		NPN
X4	2N1251 ^②	Driver	DS-44	GE-8		NPN
X5	2N2354 ^③	Output	DS-44	GE-8		NPN
X6	2N2354 ^③	Output	DS-44	GE-8		NPN

- ① Alternate Type 2N211
 ② Alternate Type 2N306
 ③ Alternate Type 2N1059

ELECTROLYTIC CAPACITORS

ITEM No.	RATING		REPLACEMENT DATA						
	CAP.	VOLT.	ARVIN PART No.	AEROVOX PART No.	CORNELL-DUBILIER PART No.	GENERAL ELECTRIC PART No.	GENERAL INSTRUMENT PART No.	MALLORY PART No.	SPRAGUE PART No.
C1	50	10	49385-4	BCD10050	NLW50-10	MT1-16	MLV50-10		TE-1119
C2	10	10	49385-2	PTT39	NLW10-15	MT1-5	MLV10-10	TT12X10	VL-1127
C3	10	10	49385-2	BCD10010	ECPB408	MT1-5	MLV10-10	PET1340	VL-1127
C4	30	10	49385-3	BCD10025	ECPB412	MT1-10	MLV25-12	TT15X30	VL-1132

FIXED CAPACITORS

ITEM No.	RATING	REMARKS	REPLACEMENT DATA					
			AEROVOX PART No.	CENTRALAB PART No.	CORNELL-DUBILIER PART No.	ELMENCO PART No.	MALLORY PART No.	SPRAGUE PART No.
C10	.05	#43957-8	TTD-05	CK-503	115	CCTO-240	TA-150	TG-S50
C11	.0047		TTD-005	CK-502	111		TA-250	TG-D50
C12	.02		TTD-02	CK-203	113		TA-120	TG-S20
C13	6 NPO				C10V6C			
C14	.02		TTD-02	CK-203	113		TA-120	TG-S20
C15	.05		TTD-05	CK-503	115		TA-150	TG-S50
C16	24 NPO		NPO-DI 25	DTZ-25	C10Q24C		CNO-425	10TCC-Q25
C17	.02		TTD-02	CK-203	113		TA-120	TG-S20
C18	.0033		DM-302					

Arvin Part Number.

CONTROLS

All wattages 1/2 watt, or less, unless otherwise listed.

ITEM No.	USE	RESISTANCE	REPLACEMENT DATA				
			ARVIN PART No.	CENTRALAB PART No.	CLAROSTAT PART No.	CTS-IRC PART No.	MALLORY PART No.
R1	Volume & Switch	2000Ω	49379-1				

COILS (RF-IF)

ITEM No.	USE	REPLACEMENT DATA					NOTES
		ARVIN PART No.	MERIT PART No.	MILLER PART No.	STANCOR PART No.	WORKMAN PART No.	
L1	Loopstick	44511-10					
L2	Osc.	49382-2					
L3	1st IF	49388-10					
L4	2nd IF	49388-25					
L5	3rd IF	49388-30					

DESCRIPTION

TRANSFORMER (DRIVER)

ITEM No.	TURNS RATIO		REPLACEMENT DATA				NOTES	
	PRI.	SEC.	ARVIN PART No.	MERIT PART No.	STANCOR PART No.	THORDARSON PART No.		TRIAD PART No.
		SEC. 2						
T1	3.8	1	43604-8				TZ-32XT ①	① Remove Frame
		1						

SPEAKER

ITEM No.	TYPE	REPLACEMENT DATA		NOTES
		ARVIN PART No.	QUAM PART No.	
SP1	2 1/4" PM 100Ω	49506-1		

BATTERIES

ITEM No.	VOLTAGE	ARVIN PART No.	REPLACEMENT DATA			NOTES
			BURGESS	EVEREADY	MALLORY	
M1	9		L6	206	M-1611 (or TR126)	

MISCELLANEOUS

ITEM No.	PART NAME	ARVIN PART No.	NOTES
M2 M3	Tuning Cap. Detector (1N295) Printed Board, Complete	49494-2 48287 49493-2	

CABINETS & CABINET PARTS

(When Ordering Specify Model, Chassis & Color)

ITEM	PART No.	ITEM	PART No.
KNOBS		CABINETS	
Tuning - Sunset	96473-3	Front - Sunset	97471-3
Tuning - Green	96473-06	Front - Green	97471-96
Tuning - Black	96473-9	Front - Black	97472-9
Volume - Sunset	96474-3	Back - Sunset	96217-3
Volume - Green	96474-96	Back - Green	96217-96
Volume - Black	96474-9	Back - Black	96217-9

WIRING DATA

General-use Unshielded Hook-up Wire	Use BELDEN No. 8530 (Solid 22AWG)	Available
	8524 (Stranded 22AWG)	in
	8570 (Stranded 26AWG)	12 Colors