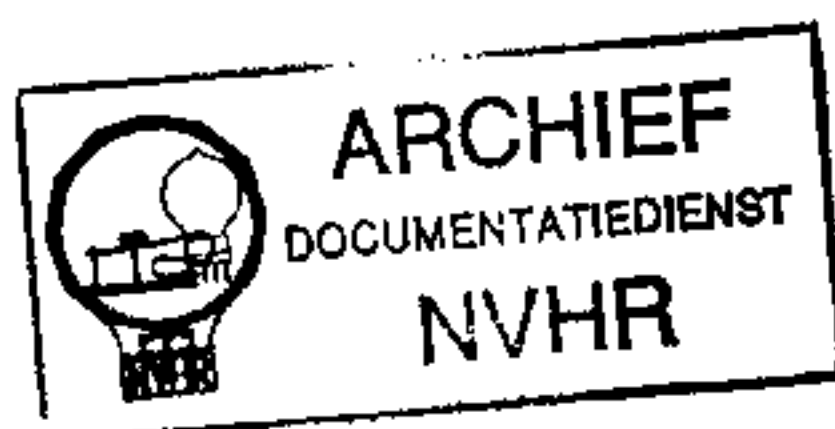


Met dank aan Jef Bos

Ned. Ver. v. Historie v/d Radio



TRADE NAME Arvin Model 61R58 (Ch. 1.62402)
 MANUFACTURER Arvin Industries Inc., Columbus, Indiana
 TYPE SET Battery Operated 8 Transistor Portable AM Receiver
 POWER SUPPLY 6 Volts DC RATING 17MA@6 Volts DC (No Signal, Min. Volume)
 TUNING RANGE—BROADCAST 550-1670KC 24MA@6 Volts DC (Signal, Normal Volume)

ALIGNMENT INSTRUCTIONS

ALIGNMENT INSTRUCTIONS—READ CAREFULLY BEFORE ATTEMPTING ALIGNMENT

Use only enough generator output to provide a usable indication.

Suggested Alignment Tools:

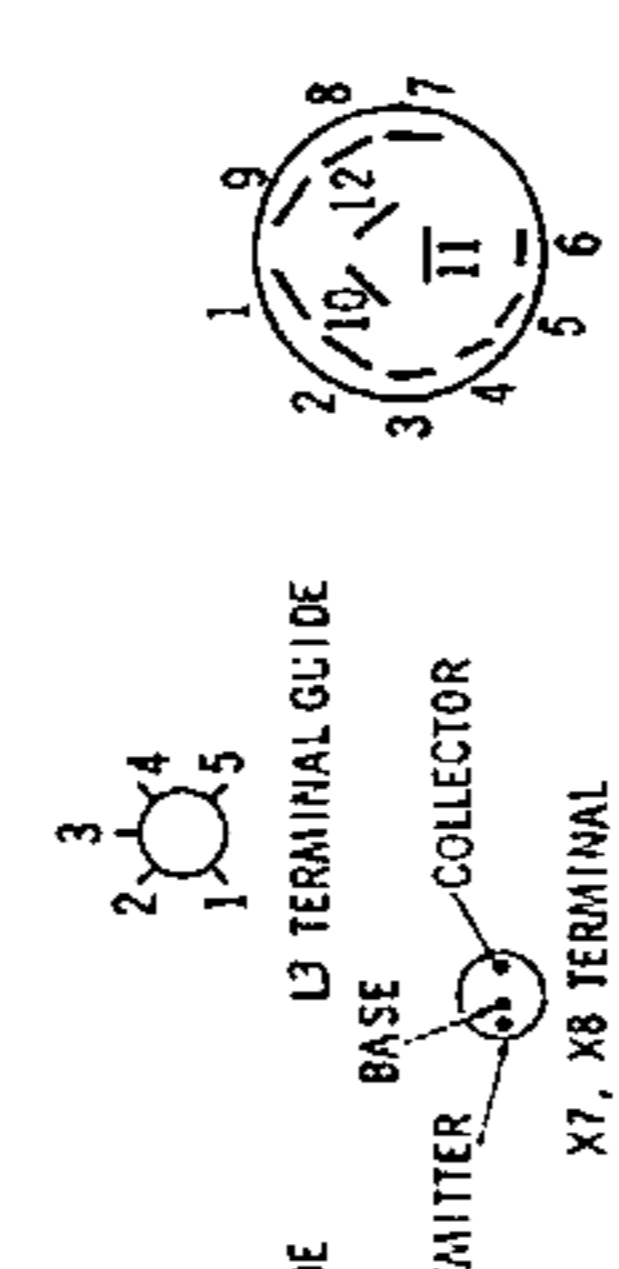
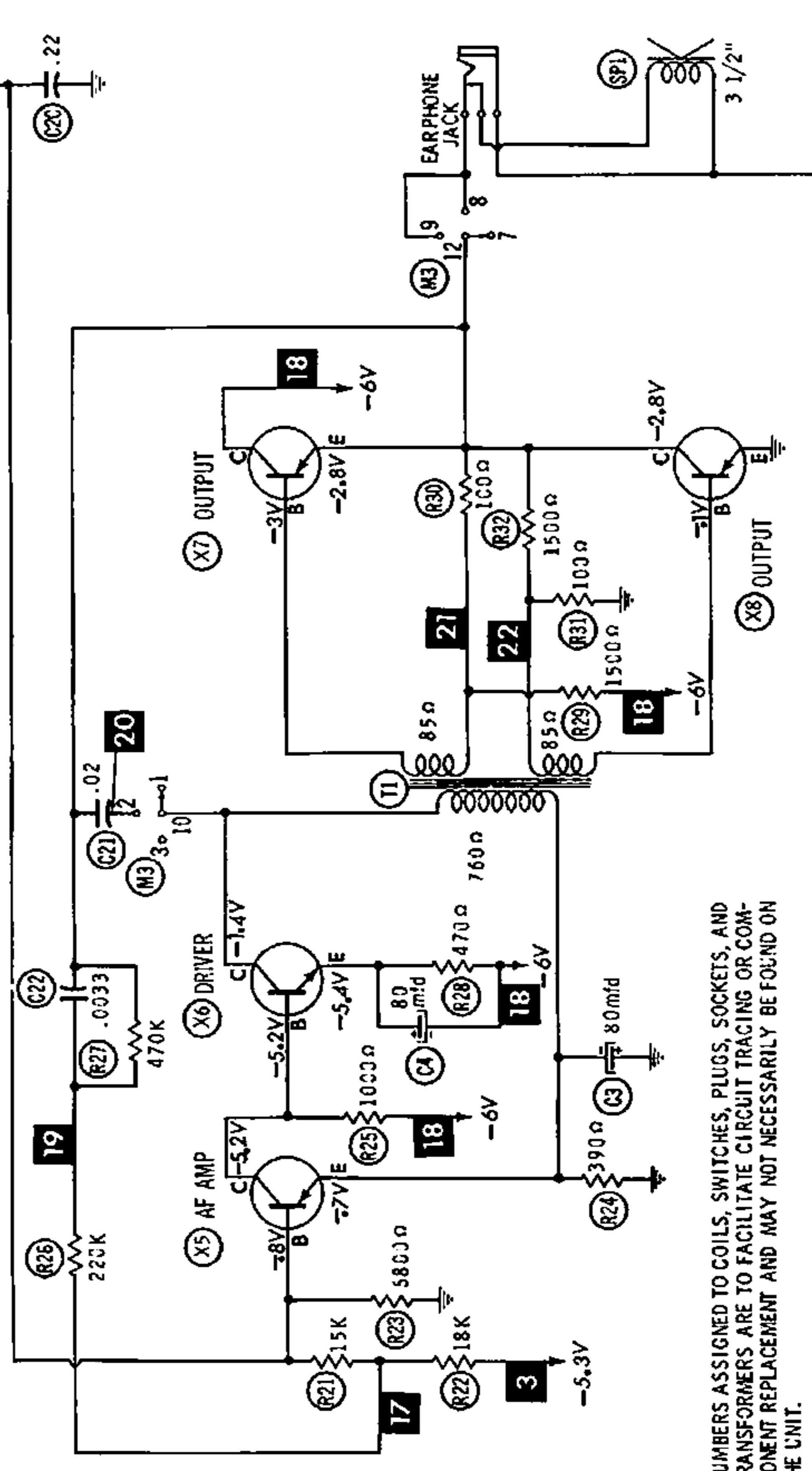
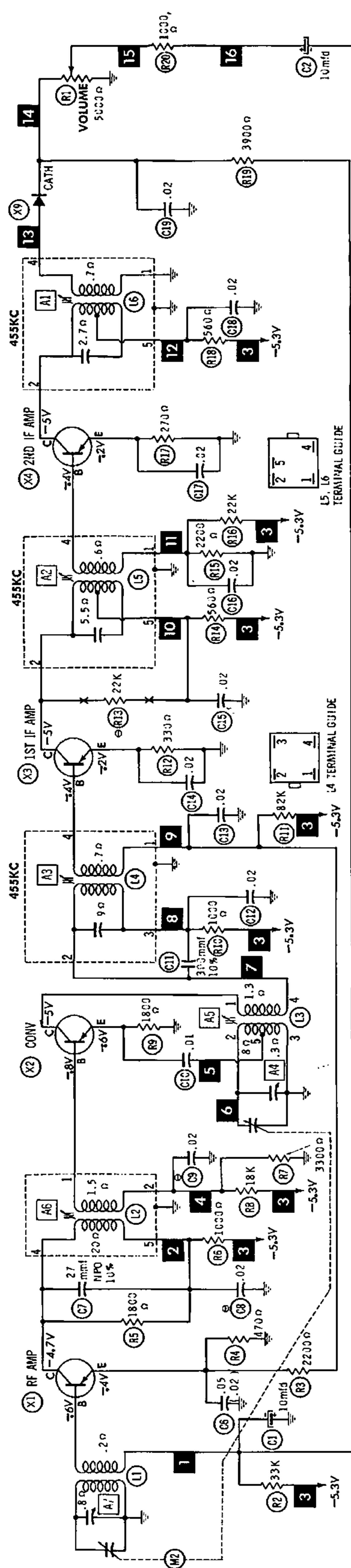
A4, A7..... GENERAL CEMENT #8282, 8606, 8606-L, 9091
 WALSCO #2526, 2541, 2542, 2543, 2544
 A5, A6..... GENERAL CEMENT #5097, 8727
 WALSCO #2515

	SIGNAL GENERATOR COUPLING	SIGNAL GENERATOR FREQUENCY	RADIO DIAL SETTING	CONNECT VTVM	ADJUST	REMARKS
1.	Fashion loop of several turns of wire and radiate signal into loop of receiver.	455KC (Unmod.)	Tuning gang fully open.	Across Volume Control.	A1, A2, A3	Adjust for maximum deflection.
2.	"	1670KC	"	"	A4	"
3.	"	600KC	600KC Signal.	"	A5, A6	"
4.	"	1400KC	1400KC Signal.	"	A7	"

HOWARD W. SAMS & CO., INC. Indianapolis 6, Indiana

The listing of any available replacement part herein does not constitute in any case a recommendation, warranty or guaranty by Howard W. Sams & Co., Inc., as to the quality and suitability of such replacement part. The numbers of these parts have been compiled from information furnished to Howard W. Sams & Co., Inc., by the manufacturers of

the particular type of replacement part listed. Reproduction or use, without express permission, of editorial or pictorial content, in any manner, is prohibited. No patent liability is assumed with respect to the use of the information contained herein. ©1962 Howard W. Sams & Co., Inc., Indianapolis 6, Indiana. Printed in U.S. of America



M3 TERMINAL GUIDE (REAR VIEW)
 TONE SWITCH (M3) SHOWN IN "OFF" POSITION.
 SWITCH SEQUENCE:
 1. OFF
 2. MUSIC
 3. VOICE

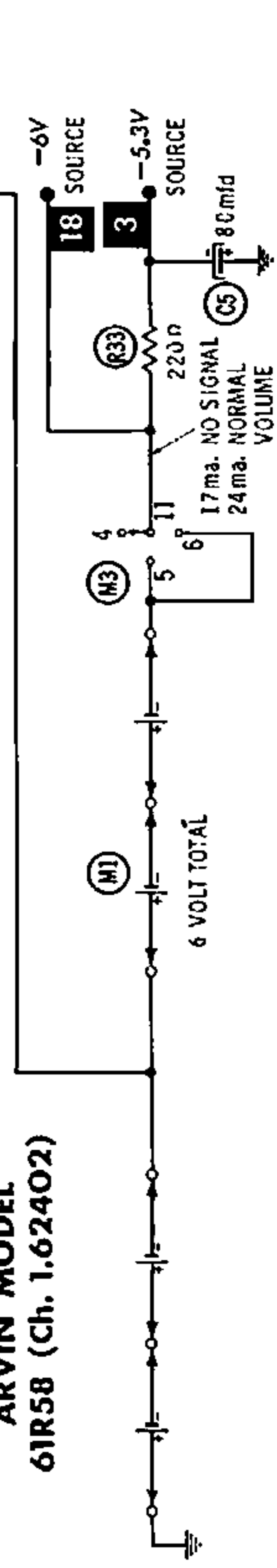
1. DC voltage measurements taken with vacuum tube voltmeter.
2. Socket connections or transistor terminals are shown as bottom views.
3. Measured values are from socket pin or terminal to common ground.
4. Nominal tolerance on component values makes possible a variation of $\pm 15\%$ in voltage and resistance readings.
5. Volume control at maximum, no signal applied for voltage measurements.

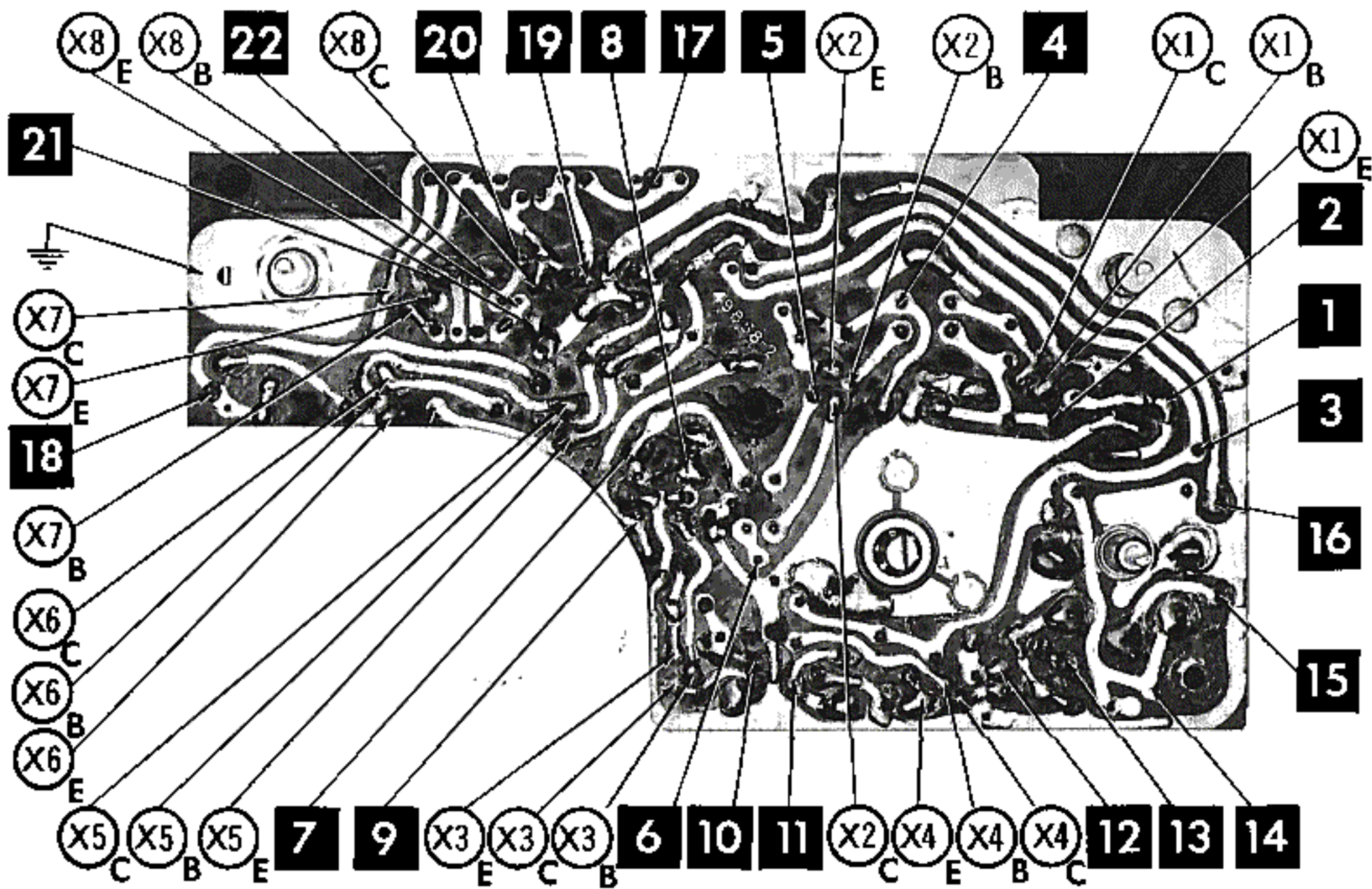
SEE PARTS LIST FOR ALTERNATE VALUE OR APPLICATION
 RESISTANCE MEASUREMENTS NOT GIVEN BECAUSE OF THE WIDE VARIATION IN INTERNAL TRANSISTOR RESISTANCE.
 A PHOTODUPLICATION STANDARD NOTATION SCHEMATIC with **CIRCUITRACE**

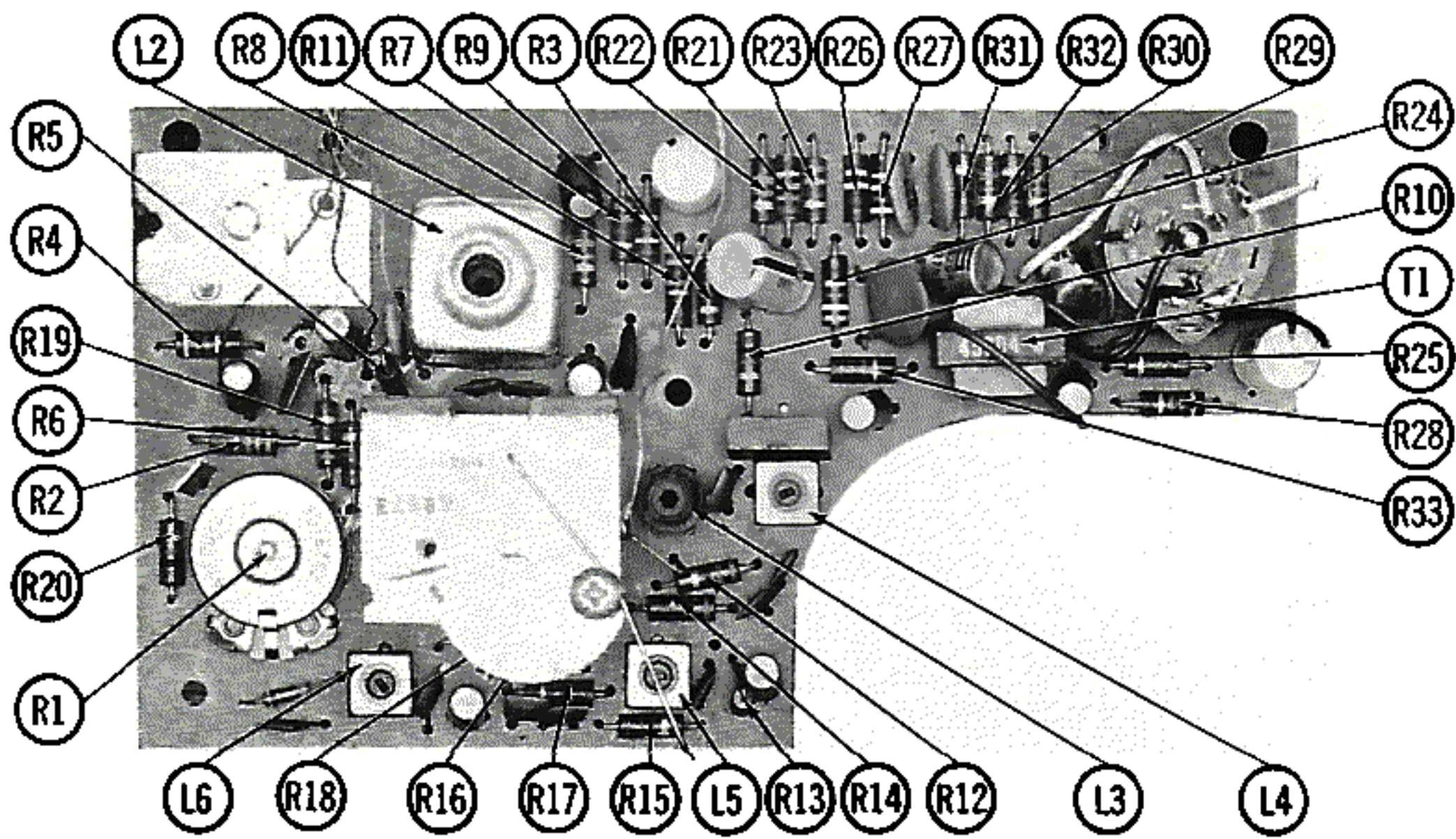
© Howard W. Sams & Co., Inc. 1962

NUMBERS ASSIGNED TO COILS, SWITCHES, PLUGS, SOCKETS, AND TRANSFORMERS ARE TO FACILITATE CIRCUIT TRACING OR COMPONENT REPLACEMENT AND MAY NOT NECESSARILY BE FOUND ON THE UNIT.

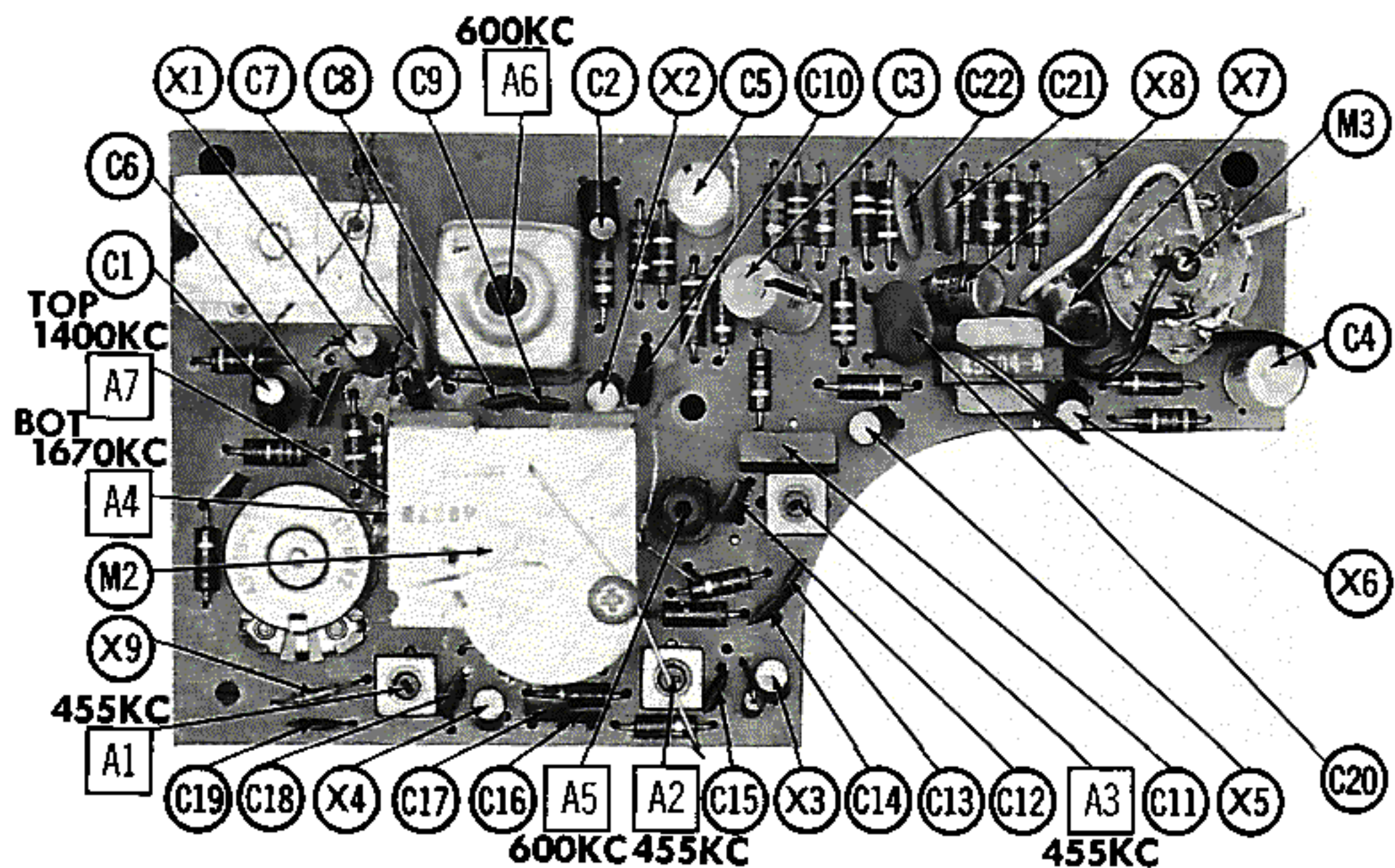
ARVIN MODEL 61R58 (Ch. 1.62402)







CHASSIS TOP VIEW - RESISTOR & INDUCTOR IDENT.



CHASSIS TOP VIEW - ALIGNMENT, CAPACITOR & MISC. IDENT.

PARTS LIST AND

TRANSISTORS

ITEM No.	MFGR. PART No.	USE	REPLACEMENT DATA		NOTES
			RCA PART No.	RAYTHEON PART No.	
X1	S95103	RF Amplifier	2N1527		PNP
X2	S95101	Converter	2N1526		PNP
X3	S95103	1st IF Amplifier	2N1525		PNP
X4	S95102	2nd IF Amplifier	2N1525		PNP
X5	S95201	AF Amplifier	2N406		PNP
X6	S95202	Driver	2N649		NPN
X7	S95204	Output	2N406		PNP
X8	S95204	Output	2N406		PNP

POWER RECTIFIERS & SIGNAL DIODES

ITEM No.	CURRENT RATING (Measured)	ORIGINAL Part or Type No.	RECTIFIERS		DIODES	NOTES
			RCA PART No.	SARKES TARZIAN PART No.	RAYTHEON PART No.	
X9		48287			1N295	Detector (1N295)

ELECTROLYTIC CAPACITORS

ITEM No.	RATING		REPLACEMENT DATA						
	CAP.	VOLT.	ARVIN PART No.	AEROVOX PART No.	CORNELL-DUBILIER PART No.	GENERAL ELECTRIC PART No.	MALLORY PART No.	PYRAMID PART No.	SPRAGUE PART No.
C1	10	10	49385-2	BCD10010	ECPB408	MT1-5	PET1340	MLV10-10	VL-1127
C2	10	10	49385-2	BCD10010	ECPB408	MT1-5	PET1340	MLV10-10	VL-1127
C3	80	12	47668-4	BCD12100	ECPB417	MT1-19	PET1500	MLV100-12	VL-1140
C4	80	12	47668-4	BCD12100	ECPB417	MT1-19	PET1500	MLV100-12	VL-1140
C5	80	12	47668-4	BCD12100	ECPB417	MT1-19	PET1500	MLV100-12	VL-1140

FIXED CAPACITORS

ITEM No.	RATING	REMARKS	REPLACEMENT DATA					
			AEROVOX PART No.	CENTRALAB PART No.	CORNELL-DUBILIER PART No.	ELMENCO PART No.	MALLORY PART No.	SPRAGUE PART No.
C6	.05 25V	(.02) †	BPD-05	DA-503	H-05S5		TA-150	TG-S50
C7	27 NPO 10%		NPO-D1 25	DTZ-25	C10Q27U		CCTO-270	10TCC-Q27
C8	.02 25V	Note 1	BPD-02	DA-203	H-05S2		CCD-203	TG-S50
C9	.02 25V	Note 1	BPD-02	DA-203	H-05S2		CCD-203	TG-S20
C10	.01 50V		BPD-01	DM-103	H-05S1		CCD-103	TG-S10
C11	300 10%		1469-300		22R5T3		CM-20B-301K	MS-33
C12	.02 25V		BPD-02	DA-203	H-05S2		CCD-203	TG-S20
C13	.02 25V		BPD-02	DA-203	H-05S2		CCD-203	TG-S20
C14	.02 25V		BPD-02	DA-203	H-05S1		CCD-203	TG-S20
C15	.02 25V		BPD-02	DA-203	H-05S2		CCD-203	TG-S20

DESCRIPTIONS

FIXED CAPACITORS (cont)

ITEM No.	RATING	REMARKS	REPLACEMENT DATA					
			AEROVOX PART No.	CENTRALAB PART No.	CORNELL-DUBILIER PART No.	ELMENCO PART No.	MALLORY PART No.	SPRAGUE PART No.
C16	.02 25V		BPD-02	DA-203	H-05S2	CCD-203	TA-120	TG-S20
C17	.02 25V		BPD-02	DA-203	H-05S2	CCD-203	TA-120	TG-S20
C18	.02 25V		BPD-02	DA-203	H-05S2	CCD-203	TA-120	TG-S20
C19	.02 25V		BPD-02	DA-203	H-05S2	CCD-203	TA-120	TG-S20
C20	.22 12V							
C21	.02 50V		BPD-02	DDM-203	H-05S2	CCD-203	TA-120	TG-S20
C22	.0033		BPD-0033	DD-332	BYA10D33	CCD-332	B-233	5HK-D33

Note 1. Early versions combine C8 and C9 in one unit.

† Alternate Value.

CONTROLS

All wattages 1/2 watt, or less, unless otherwise listed.

ITEM No.	USE	RESIST-ANCE	REPLACEMENT DATA				
			ARVIN PART No.	CENTRALAB PART No.	CLAROSTAT PART No.	CTS-IRC PART No.	MALLORY PART No.
R1	Volume	5000Ω	49000-2				

RESISTORS

All wattages 1/2 watt, or less, unless otherwise listed.

ITEM No.	RATING	REPLACEMENT DATA			ITEM No.	RATING	REPLACEMENT DATA		
		IRC PART No.	WORKMAN PART No.	REMARKS			IRC PART No.	WORKMAN PART No.	REMARKS
R2	33K				R18	560Ω			
R3	2200Ω				R19	3900Ω			
R4	470Ω				R20	1000Ω			
R5	1800Ω				R21	15K			
R6	1000Ω				R22	18K			
R7	3300Ω				R23	6800Ω			
R8	18K				R24	390Ω			
R9	1800Ω				R25	1000Ω			
R10	1000Ω				R26	220K			
R11	82K				R27	470K			
R12	330Ω				R28	470Ω			
R13	22K			Note 1	R29	1500Ω			
R14	560Ω				R30	100Ω			
R15	2200Ω				R31	100Ω			
R16	22K				R32	1500Ω			
R17	270Ω				R33	220Ω			

Note 1. Added in later versions to reduce oscillations on the lower end of the band.

PARTS LIST AND DES

COILS (RF-IF)

ITEM No.	USE	REPLACEMENT DATA					NOTES
		ARVIN PART No.	Merit PART No.	Miller PART No.	Stancor PART No.	Workman PART No.	
L1	Loopstick	46881-9					
L2	RF	47655-3					
L3	Osc.	45783-22					
L4	1st IF	49388-12					
L5	2nd IF	49388-21					
L6	3rd IF	49388-31					

TRANSFORMER (DRIVER)

ITEM No.	TURNS RATIO		REPLACEMENT DATA					NOTES
	PRI.	SEC1	ARVIN PART No.	Merit PART No.	Stancor PART No.	Thordarson PART No.	Triad PART No.	
T1	3.8	1	45804-8					
		SEC. 2						
		1						

SPEAKER

ITEM No.	TYPE			REPLACEMENT DATA		NOTES
	SIZE	FIELD	V. C. IMP.	ARVIN PART No.	QUAM PART No.	
SP1	3½"	PM	18-20Ω	46523-6	3A05Z20	

BATTERIES

ITEM No.	VOLTAGE	ARVIN PART No.	REPLACEMENT DATA						NOTES
			BURGESS		EVEREADY		MALLORY		
			"A"	"B"	"A"	"B"	"A"	"B"	
M1	1½V			130		635		M-14R	4 Required

MISCELLANEOUS

ITEM No.	PART NAME	ARVIN PART No.	NOTES
M2	Tuning Cap.	49873	2 Gang On-Off-Tone
M3	Switch	49871-1	

DESCRIPTIONS (Continued)

CABINETS & CABINET PARTS

(When Ordering Cabinets & Cabinet Parts, Specify Model, Chassis & Color)

NAME	PART NO.	DESCRIPTION
Dial Pointer	49521	
Knob	49520	Volume, Tuning
Knob	49849	Switch
Cabinet	49519	Front
Cabinet	49518	Leather

WIRING DATA

General-use Unshielded Hook-up Wire	Use BELDEN No. 8530 (Solid 22AWG)	Available
	8524 (Stranded 22AWG)	in
	8570 (Stranded 26AWG)	12 Colors

DIAL CORD STRINGING

