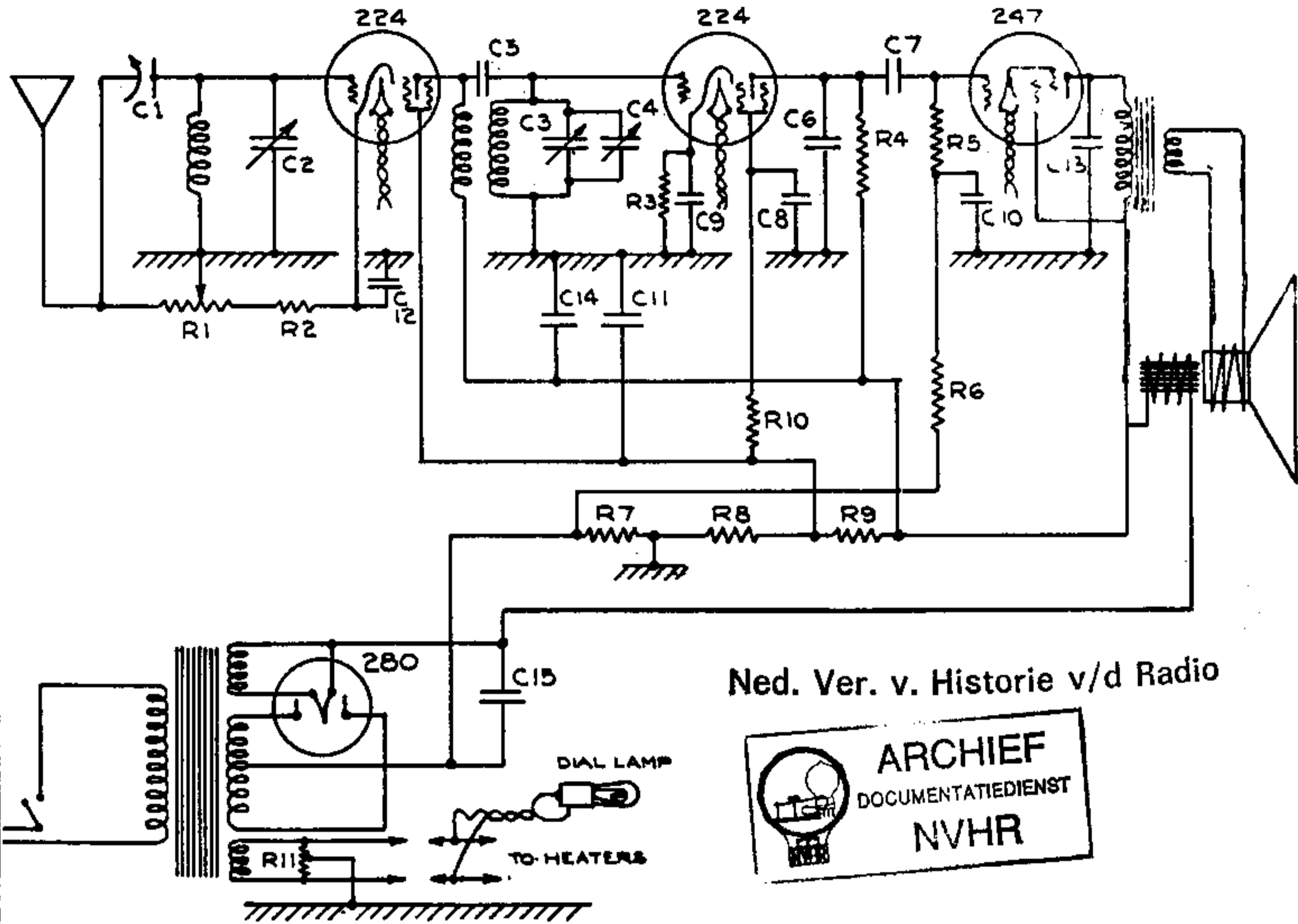


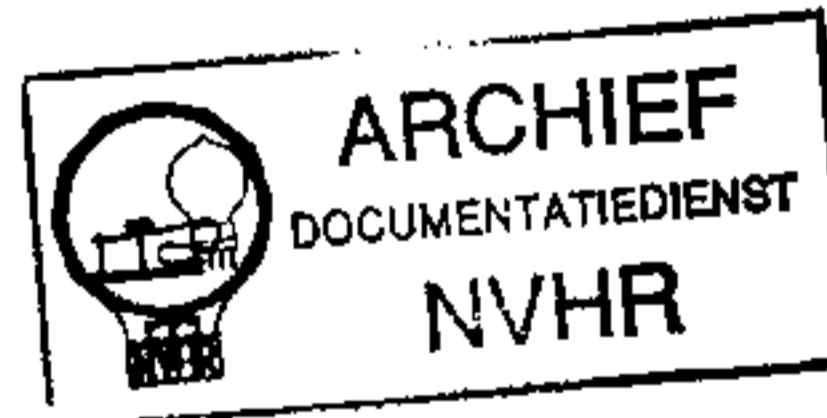
UNITED AMERICAN BOSCH CORP.

MODEL 4 (Essex)
Schematic
Voltage

Met dank aan John Koster



Ned. Ver. v. Historie v/d Radio



Schematic Wiring Diagram - Model 4 Receiver

- R1 - Volume Control
- R2 - 600 ohms
- R3 - 50,000 ohms
- R4 - 1 megohm
- R5 - 1/2 megohm
- R6 - 100,000 ohms
- R7 - 400)
- R8 - 11,500)ohms
- R9 - 19,000)
- R10 - 2 megohms
- R11 - Center Tap
- C1 - Antenna Trimmer
- C2 - Condenser Gang

- C3 - Condenser Gang
 - C4 - Condenser Gang
 - C5 - Coupling Capacity
 - C6 - .0001 mfd. mica
 - C7 - .005 3 ply
 - C8 - .25 2 ply
 - C9 - .25 2 ply
 - C10 - .05 2 ply
 - C11 - .05 2 ply
 - C12 - .05 2 ply
 - C13 - .01 3 ply
 - C14 - 8 mfd.)
 - C15 - 4 mfd.)
- By-pass unit (C8-C13)
Filter unit (C14-C15)

Socket Voltage Readings - Model 4 Receiver

	224 1st RF	224 Det.	247 Audio	280 Rect.
Filament	2.2	2.2	2.2	4.5
Plate	250	250	250	-
Screen	90	90	250	-
Bias	2.5	-	45	-

MODEL 04
Schematic
Voltage, Parts

UNITED AMERICAN BOSCH CORP.

AMERICAN-BOSCH RADIO MODEL 04

Four-Tube, Two Band, AC-DC, T. R. F. Receiver

1	ANT. COIL ASSY	RC 9512
2	VARI COND (2 GANG)	CG 9533
3	COND. 01 400V	SA 106277
4	WAVE CHARGE SW	SW 9532
5	COND. 1 200K	CW 9519
6	VOL. CONT.	VR 9515
7	RES. 5000Ω 1/4W	SA 10512
8	RF COIL ASSY	RC 9513
9	COND. ELECT. 100P	PT OF CE 9520
10	RES. 2500Ω 1/4W	SA 105275
11	RES. 50000Ω 1/4W	SA 105246
12	COND. 01 400V	SA 106277
13	RES. 500Ω 1/4W	SA 105246
14	COND. ELECT. 100P	PT OF CE 9520
15	RES. 600Ω 1W	SA 105204
16	COND. 01 400V	SA 106277
17	COND. 1 200V	CW 9519
18	SWITCH (ON-OFF)	PT OF VR 9515
19	COND. ELECT. 100P	PT OF CE 9520
20	COND. ELECT. 100P	PT OF CE 9520
21	CHOKE 250A	CL 9541
22	LAMP (E) 6-8V	SA 95572
23	SPEAKER	SK 9516
24	DIAPHR. COIL 45T	PT OF SK 9516
25	OUTPUT TRANS.	PT OF SK 9516
26	COND. 1MF-200V	CW 951A
27	RES. 500,000Ω 1/4W	SA 105246

TUBE	STAGE	SCREEN	PLATE	CATH.	FIL.
25Z5	RECTIFIER			117	62
43	POWER OUTPUT	110	100	14	37
6C6	DET.	14	50	1.0	60
6D6	R.F.	110	110	6.0	12

ALL VOLTAGES TAKEN TO BASE PLATE.
LINE VOLTAGE = 115V-AC.
* TAKEN WITH 600,000 OHM VOLTMETER.
† TAKE WITH VOLUME CONTROL FULL ON.
‡ FILAMENT VOLTAGES READ TO BASE PLATE.

