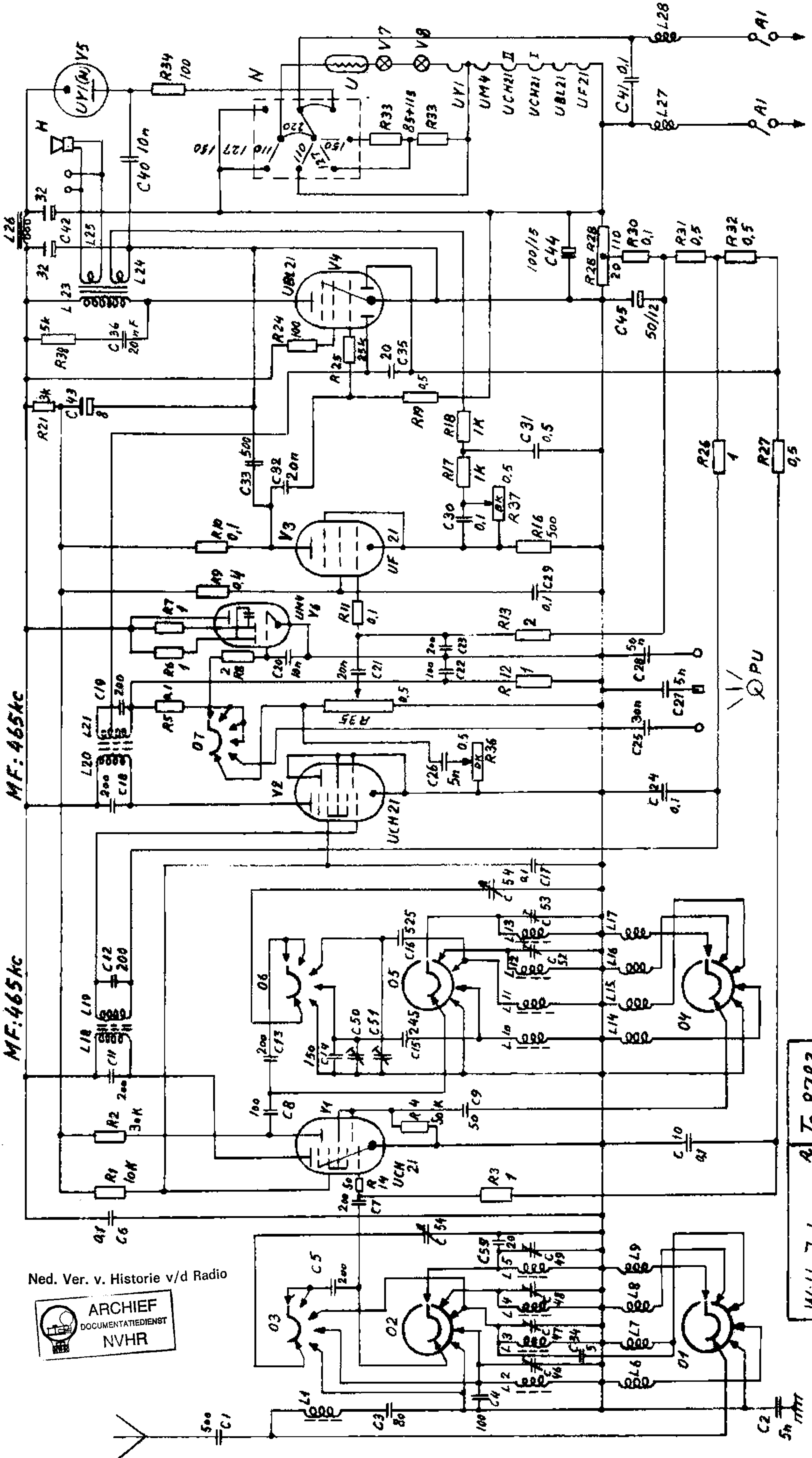
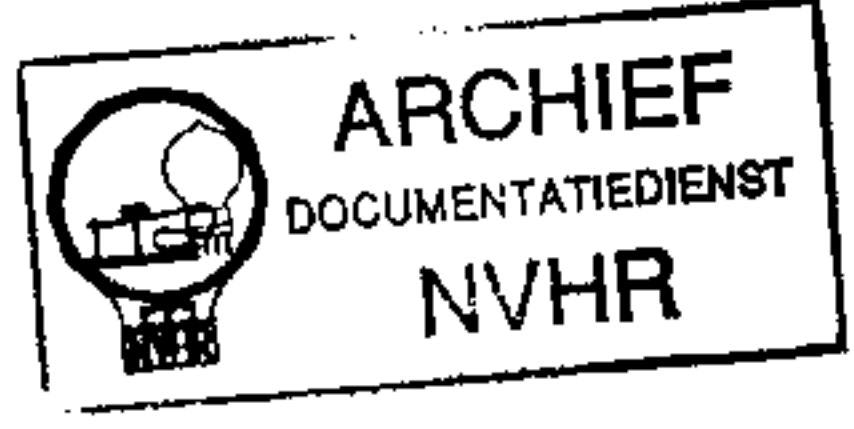


MF: 465kc

MF: 465kc

Ned. Ver. v. Historie v/d Radio



Wilh. Johnson & T9 8783
Istanbul 51
J. 4-50