

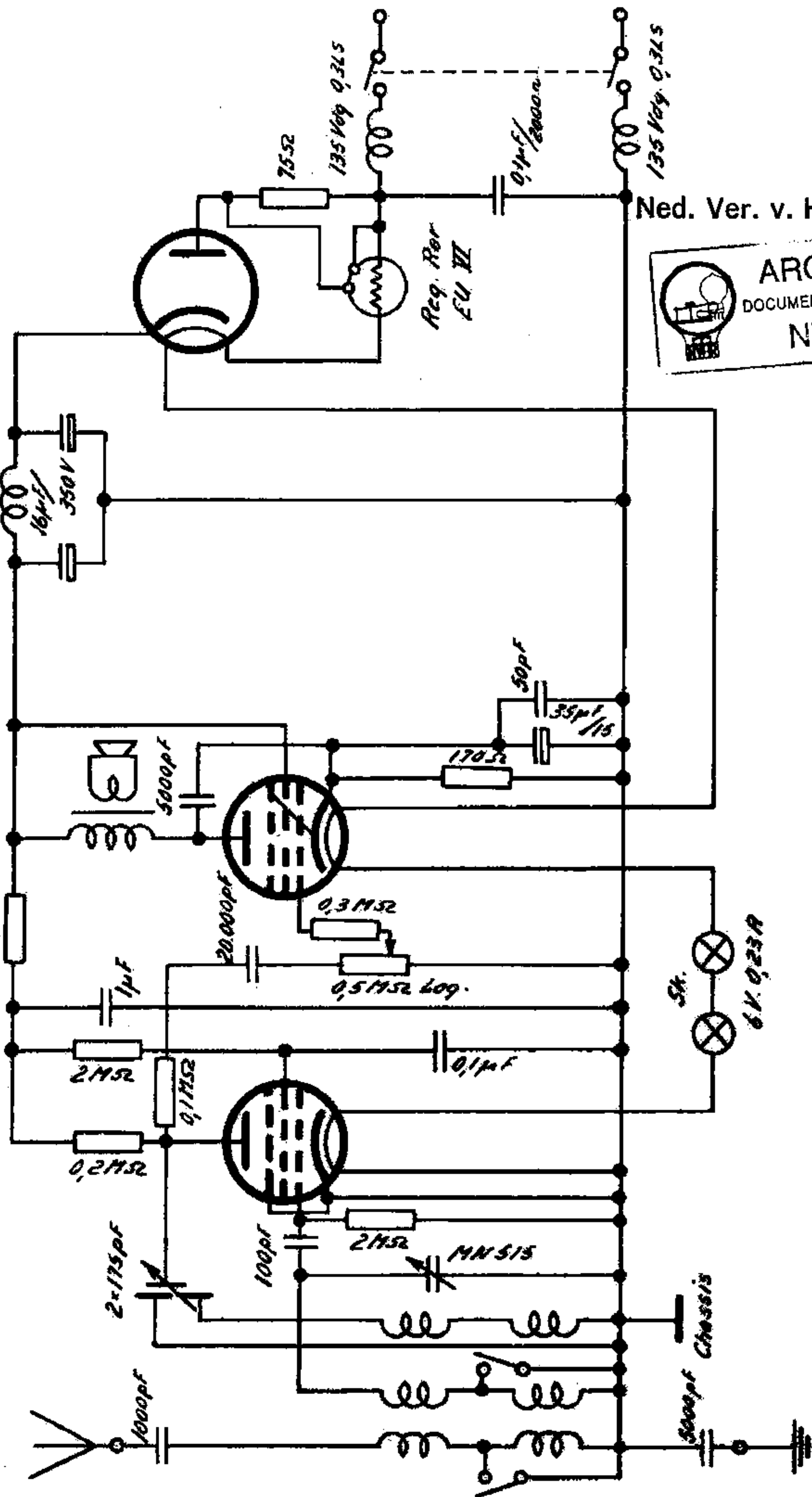
Ostrom
Req. Ror.
EU VI

CY. 1

Dr. 300 Ω

CL4

Philips Ror: CF7



Ned. Ver. v. Historie v/d

