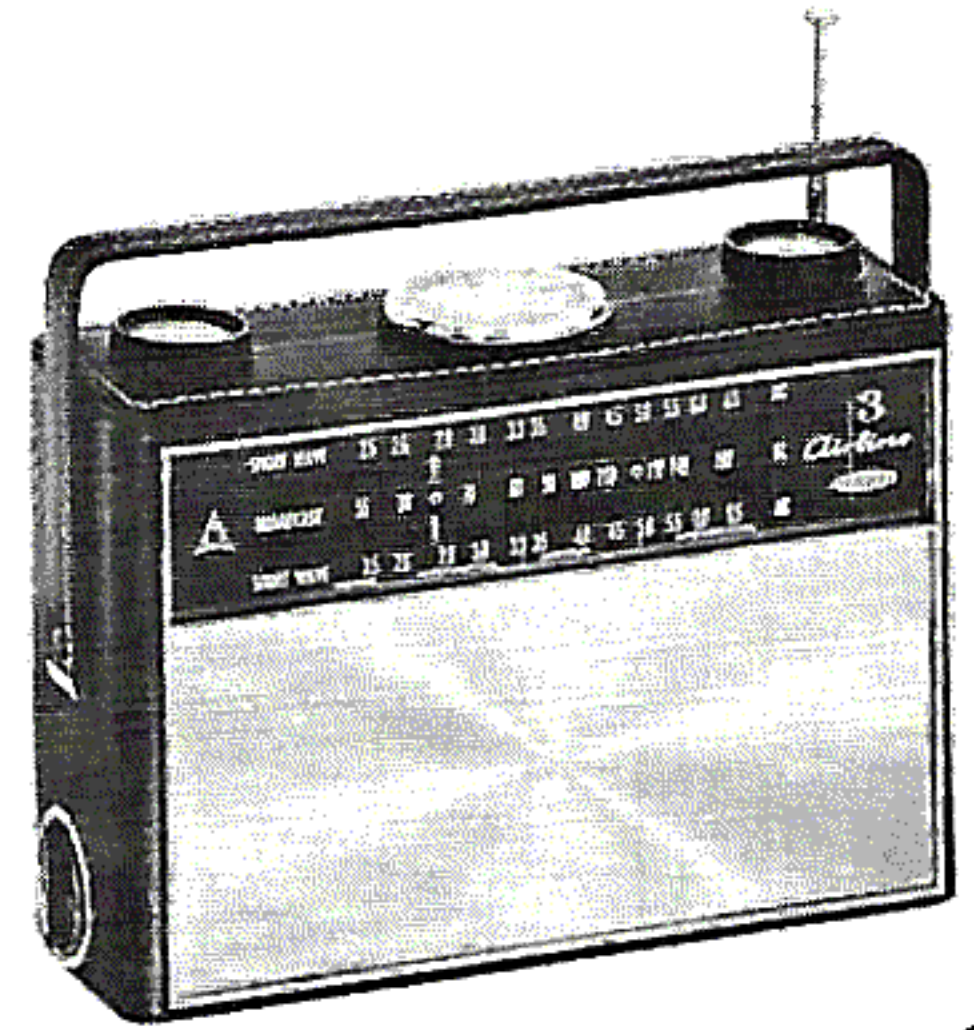




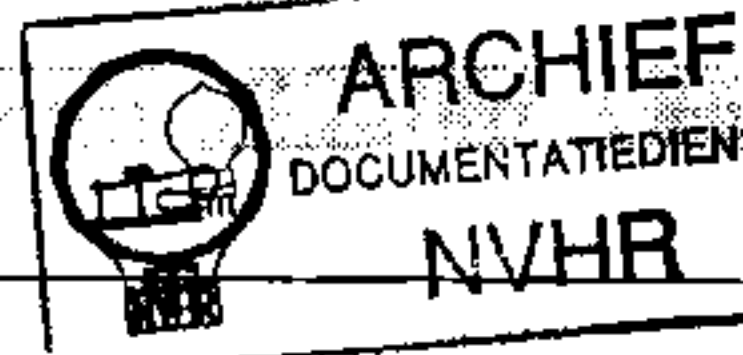
PHOTOFACT[®] with

CIRCUITRACE[®]

Met dank aan Jef Bos



NEU. VER. V. HISTORIE



TRADE NAME: Airline Model GMT1233A
SUPPLIER: Montgomery Ward & Co.,
 619 Chicago Ave., Chicago 7, Illinois
TYPE SET: 9 Transistor 3-Band Receiver
POWER SUPPLY: 6 Volts DC
RATING: 17MA@6 VDC (No Signal, Min. Volume)
 22MA@6 VDC (Signal, Normal Volume)
TUNING RANGE: BROADCAST 530 - 1620KC
 SHORT WAVE (MB) 1.95 - 5.8MC
 SHORT WAVE (SW) 5.8 - 16.5MC

ALIGNMENT INSTRUCTIONS

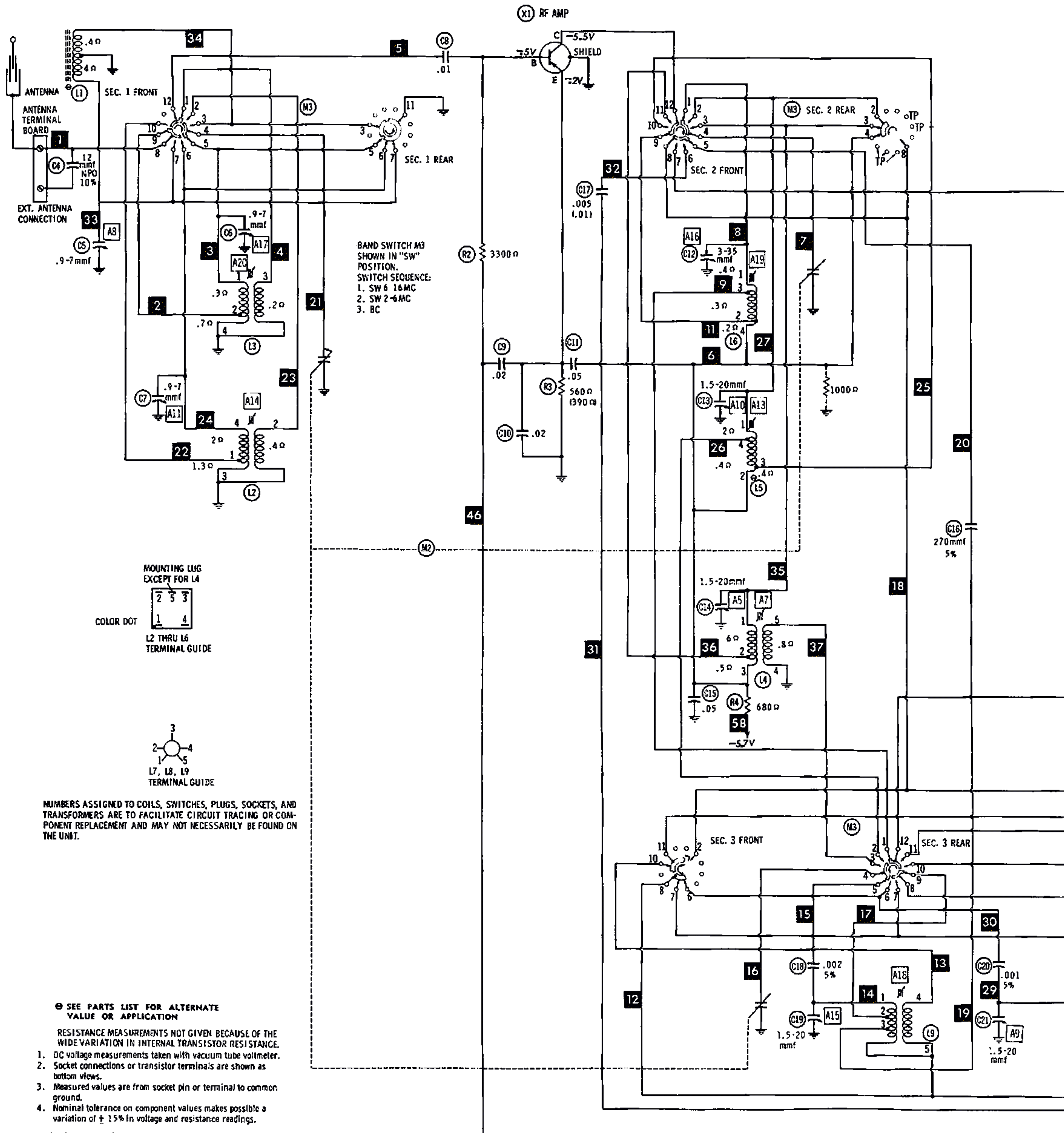
Use only enough generator output to provide a usable indication.

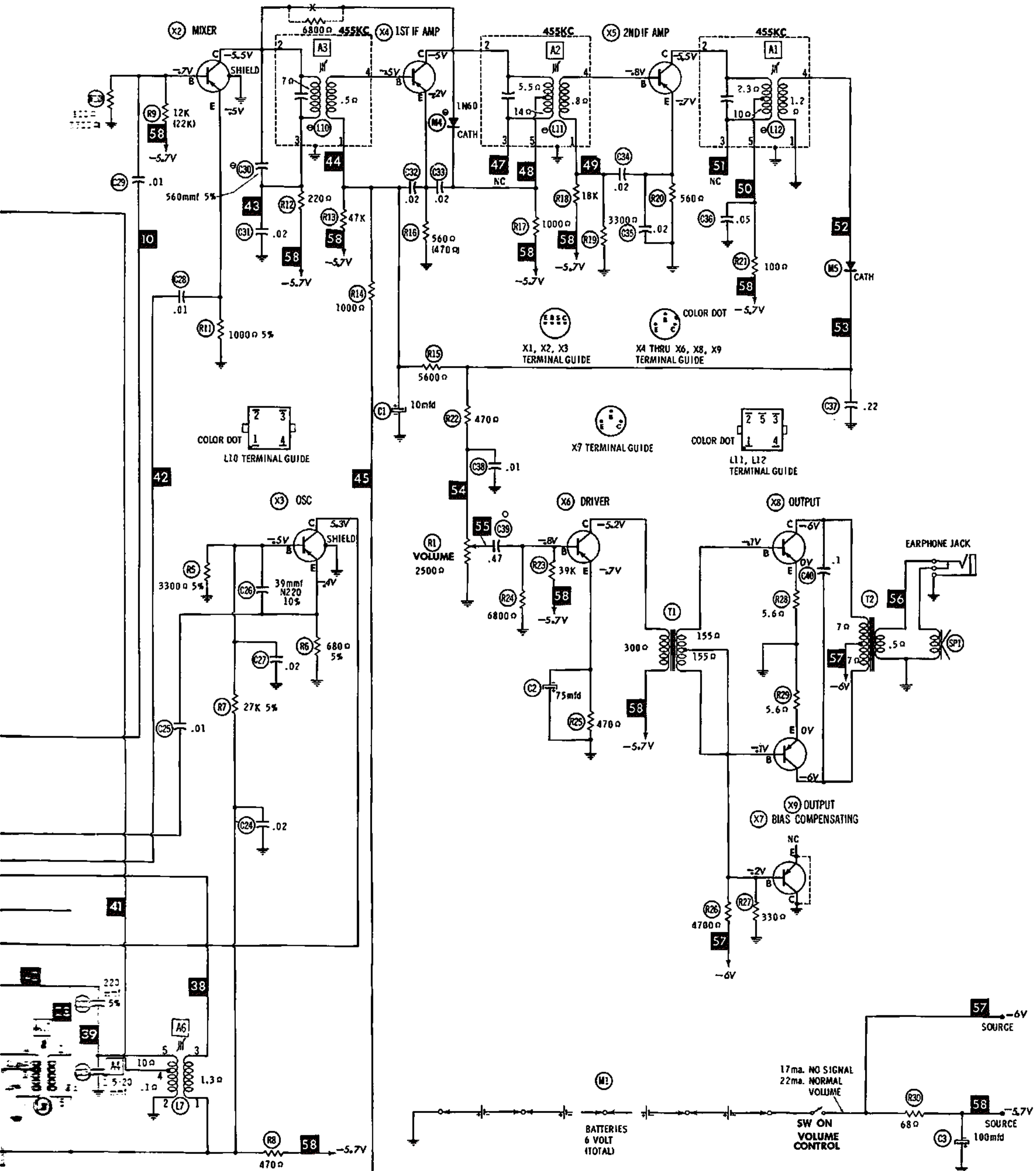
Suggested Alignment Tools: A1, A2, A3, A5, thru A9,
 All thru A14, A16 thru A20... GENERAL CEMENT #9089, 8988, 8987
 WALSCO #2515, 2520, 2522, 2523, 2531, 2532, 2534, 2537, 2538
 A4, A10..... GENERAL CEMENT #9440
 A15..... GENERAL CEMENT #8606, 8282, 9295
 WALSCO #2526, 2543, 2544, 2545

SET SELECTOR SWITCH AS INDICATED

SIGNAL GENERATOR COUPLING	SIGNAL GENERATOR FREQUENCY	RADIO DIAL SETTING	INDICATOR	ADJUST	REMARKS
High side thru .01mfd to base of X2; common to ground.	455KC (Unmod.)	(BC) Tuning gang fully open.	DC VTVM across volume control.	A1, A2, A3	Adjust for maximum deflection.
High side thru .01mfd to base of X1, common to ground.	1620KC	"	"	A4	"
"	1400KC	1400KC	"	A5	"
"	530KC	Tuning gang fully closed.	"	A6	"
"	600KC	600KC	"	A7	"
Fashion loop of several turns of wire and radiate signal into loop of receiver.	1400KC	1400KC	"	A8	"
High side thru .01mfd to base of X1, common to ground.	5.8MC (Unmod.)	(MB) Tuning gang fully open.	"	A9	Adjust for maximum output.
To rod antenna thru 15mmf.	5.5MC	5.5MC	"	A10, A11	"
"	1.95MC	Tuning gang fully closed.	"	A12	"
"	2.3MC	2.3MC	"	A13, A14	"
High side thru .01mfd to base of X1, common to ground.	16.5MC	(SW) Tuning gang fully open.	"	A15	"
"	15.5MC	15.5MC	"	A16, A17	"
To rod antenna thru 15mmf.	5.8MC	Tuning gang fully closed.	"	A18	"
"	6MC	6MC	"	A19, A20	"

HOWARD W. SAMS & CO., INC. Indianapolis 6, Indiana





**AIRLINE
MODEL GTM-1233A**

PARTS LIST AND DESCRIPTION

TRANSISTORS

ITEM No.	MFR. PART No.	USE	REPLACEMENT DATA			NOTES	
			DELCO PART No.	GENERAL ELECTRIC PART No.	RCA PART No.		
X1	297V036H01	RF Amp	2N372	DS-25	GE-1	2N370	PNP
X2	297V034H01	Mixer	2N370	DS-25	GE-1	2N372	PNP
X3	297V035H01	Osc	2N371	DS-25	GE-1	2N371	PNP
X4	297V012H10	1st IF Amp	2N1524	DS-25	GE-1	2N1524	PNP
X5	297V012H10	2nd IF Amp	2N1524	DS-25	GE-1	2N1524	PNP
X6	297V004H14	Driver	2N408	DS-26	GE-2	2N406	PNP
X7	297V037H01	Blas Con.			GE-2	1N2326	PNP (Diode Connected)
X8	297V003H09	Output	2N408	DS-26	GE-2	2N408	PNP
X9	297V003H09	Output	2N408	DS-26	GE-2	2N408	PNP

ELECTROLYTIC CAPACITORS

ITEM No.	RATING		REPLACEMENT DATA						
	CAP.	VOLT.	AIRLINE PART No.	AEROVOX PART No.	CORNELL-DUBILIER PART No.	GENERAL ELECTRIC PART No.	MALLORY PART No.	PYRAMID PART No.	SPRAGUE PART No.
C1	10	10	218V048A01	PTT39	NLW10-15	MT1-5	TT12X10	MLV10-10	TE-1114
C2	75	3	218V012H17	CRE220	NLW75-3	MT1-18	TT6X80	MLV75-3	TE-1059
C3	100	7	218V012H15	PTT46	NLW100-12	MT1-19	TT12X100	MLV100-10	TE-1119, 3

FIXED CAPACITORS

ITEM No.	RATING	REMARKS	REPLACEMENT DATA					
			AEROVOX PART No.	CENTRALAB PART No.	CORNELL-DUBILIER PART No.	ELMENCO PART No.	MALLORY PART No.	SPRAGUE PART No.
C4	12 NPO 10%		NPO-DI 12	TCZ-12	C10Q12C	CC TO-120	CNO-412	10TCC-Q12
C5	.9-7	#217V508H01				400		
C6	.9-7	#217V508H01				400		
C7	.9-7	#217V508H01				400		
C8	.01		TTD-01	CK-103	H05S1	CCD-103	TA-110	TG-S10
C9	.02		TTD-02	CK-203	H05S2	CCD-203	TA-120	TG-S20
C10	.02		TTD-02	CK-203	H05S2	CCD-203	TA-120	TG-S20
C11	.05		TTD-05	CK-503	H05S5		GP-150	TG-S50
C12	3-35	#217V508H03				403		
C13	1.5-20	#217V508H02				402		
C14	1.5-20	#217V508H02				402		
C15	.05		TTD-05	CK-503	H05S5		GP-150	TG-S50
C16	270 5%		ADM-15-271	DTZ-270	C10T27U	CM-20B-271J	CNO-327	10TCC-T27
C17	.005	(.01) †	TTD-005	CK-502	H05D5	CCD-502	TA-250	TG-D50
C18	.002 5%		ADM-19-202		5R5D2	CM-20B-202J	MCE-457	MS-22
C19	1.5-20	#217V508H02				402		
C20	.001 5%		ADM-19-102		5R5D1	CM-20B-102J	MCE-255	MS-213
C21	1.5-20	#217V508H02				402		
C22	220 5%		ADM-15-221	DTZ-220	C10T22U	CM-20B-221J	CNO-322	10TCC-T22
C23	1.5-20	#217V508H02				402		
C24	.02		TTD-02	CK-203	H05S2	CCD-203	TA-120	TG-S20
C25	.01		TTD-01	CK-103	H05S1	CCD-103	TA-110	TG-S10
C26	39 10% N220	#215V013A90						10TCR-Q39
C27	.02		TTD-02	CK-203	H05S2	CCD-203	TA-120	TG-S20
C28	.01		TTD-01	CK-103	H05S1	CCD-103	TA-110	TG-S10
C29	.01		TTD-01	CK-103	H05S1	CCD-103	TA-110	TG-S10
C30	560 5%	(1000) †	DDM-19-561	TCN-560	5R5T56	CM-20B-561J	MCE-247	MS-356
C31	.02		TTD-02	CK-203	H05S2	CCD-203	TA-120	TG-S20
C32	.02		TTD-02	CK-203	H05S2	CCD-203	TA-120	TG-S20
C33	.02		TTD-02	CK-203	H05S2	CCD-203	TA-120	TG-S20
C34	.02		TTD-02	CK-203	H05S2	CCD-203	TA-120	TG-S20
C35	.02		TTD-02	CK-203	H05S2	CCD-203	TA-120	TG-S20
C36	.05		TTD-05	CK-503	H05S5	CCD-203	TA-120	TG-S20
C37	.22	#215V309H07		UK-224			GP-150	TG-S50
C38	.01		TTD-01	CK-103	H05S1	CCD-103	TA-110	TG-S10
C39	.47	(.1) †		UK-474				
C40	.1		TTD-1	CK-104	H05P1			TG-P10

Airline Part Number.

† Alternate Value.

CONTROLS

All wattages 1/2 watt, or less, unless otherwise listed.

ITEM No.	USE	RESISTANCE	REPLACEMENT DATA					
			AIRLINE PART No.	CENTRALAB PART No.	CLAROSTAT PART No.	CTS-IRC PART No.	MALLORY PART No.	
R1	Volume & Switch	2500Ω	270V094H08	F2-2500, KR-1, SU204				RU262A, SL40, US42, SL3500

COILS (RF-IF)

ITEM No.	USE	REPLACEMENT DATA					NOTES
		AIRLINE PART No.	MERIT PART No.	MILLER PART No.	STANCOR PART No.	WORKMAN PART No.	
L1	BC Loop	310V085H01					
L2	MB Ant. Coil	235V086H01					
L3	SW Ant. Coil	235V087H01					
L4	BC RF	235V085H01					
L5	MB RF	235V098H01					
L6	SW RF	235V087H02					
L7	BC Osc.	230V105H01					
L8	MB Osc.	230V105H02					
L9	SW Osc.	230V104H01					
L10	1st IF	235V097H01					
L11	2nd IF	235V097H02					
L12	3rd IF	235V097H03					

PARTS LIST AND DESCRIPTION (CONTINUED)

TRANSFORMER (DRIVER)

ITEM No.	TURNS RATIO		REPLACEMENT DATA					NOTES
			AIRLINE PART No.	MERIT PART No.	STANCOR PART No.	THORDARSON PART No.	TRIAD PART No.	
	PRI.	SEC.						
T1	1.3	1	430V054H01					

TRANSFORMER (AUDIO OUTPUT)

ITEM No.	IMPEDANCE		REPLACEMENT DATA					NOTES
			AIRLINE PART No.	Merit PART No.	Stancor PART No.	Thordarson PART No.	Triad PART No.	
	PRI.	SEC.						
T2	350Ω CT	3-4Ω	430V098H01					

SPEAKER

ITEM No.	TYPE	REPLACEMENT DATA		NOTES
		AIRLINE PART No.	QUAM PART No.	
SP1	3" x 5" PM 3-4Ω	778V300H01		

BATTERIES

ITEM No.	VOLTAGE	AIRLINE PART No.	REPLACEMENT DATA			NOTES
			BURGESS	EVEREADY	MALLORY	
M1	1.5		130 (or AL-1)	635 (or E93)	M-14R (or MN-1400)	4 Required

MISCELLANEOUS

ITEM No.	PART NAME	AIRLINE PART No.	NOTES
M2	Tuning Cap.	330V045H01	3 Gang Some versions may use a diode connected transistor.
M3	Band Switch	756V073H01	
M4	Overload (1N60)	297V037H01	
M5	Detector	296V002H07	

CABINETS & CABINET PARTS

(When Ordering Specify Model, Chassis & Color)

ITEM	PART No.	ITEM	PART No.
Dial Pointer	558V232H04	Knob - Azimuth	550V230H02
Knob - Volume, Tuning	550V233H01	Cabinet	513V120H02
Knob - Selector	550V115H01		

WIRING DATA

General-use Unshielded Hook-up Wire	Use BELDEN No. 8530 (Solid 22AWG)	Available
	8524 (Stranded 22AWG)	in
	8570 (Stranded 26AWG)	12 Colors

DIAL CORD STRINGING

TUNING GANG CLOSED
TOP VIEW

