



PHOTOFACT[®] with

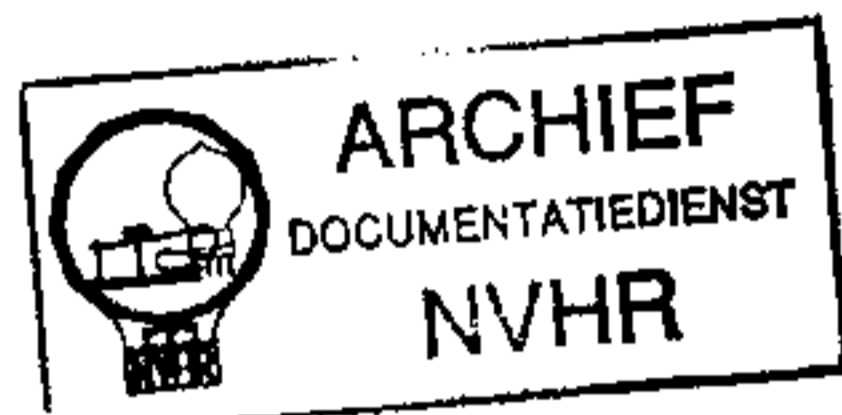
CIRCUITRACE[®]



Met dank aan Jef Bos

TRADE NAME : Airline Model GEN-1228A
 SUPPLIER : Montgomery Ward & Co.,
 619 Chicago Ave., Chicago 7, Illinois
 TYPE SET : 8 Transistor AM Receiver
 POWER SUPPLY : 6 Volts DC
 RATING : 8MA@6 VDC (No Signal, Min. Volume)
 30MA@6 VDC (Signal, Normal Volume)
 TUNING RANGE : BROADCAST 540 - 1640KC

Ned. Ver. v. Historie v/d R

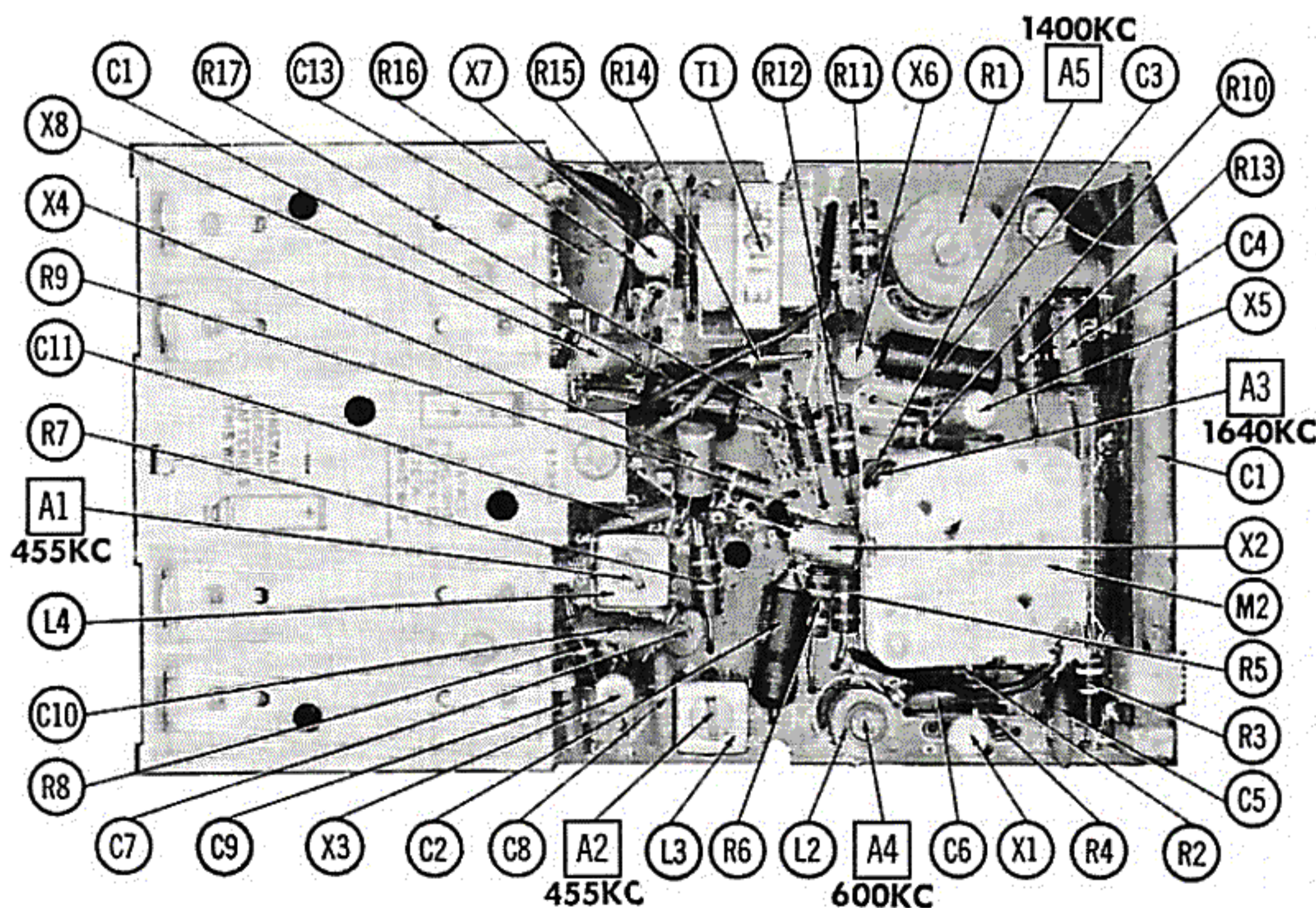


ALIGNMENT INSTRUCTIONS

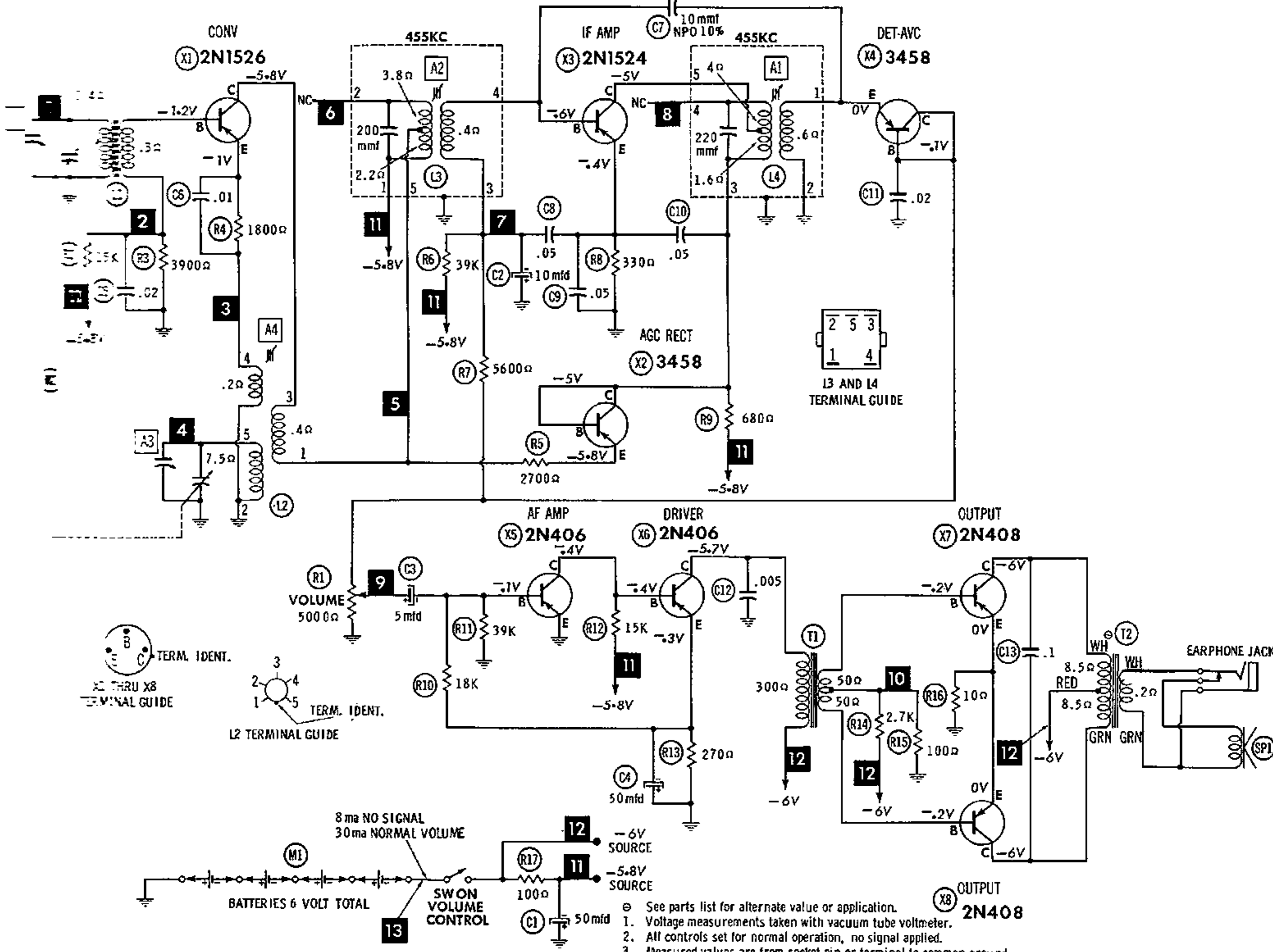
Check for specified source voltage.
 Fashion loop of several turns of wire and connect generator across loop.
 Adjust output of generator to radiate only enough signal into receiver to obtain a suitable indication.
 Suggested Alignment Tools:

- A1, A2, A3, A5.... GENERAL CEMENT #5000, 5066, 8290
 WALSCO #2525
- A4..... GENERAL CEMENT #5067, 8282, 8606
 WALSCO #2526, 2543

SIGNAL GENERATOR FREQUENCY	RADIO DIAL SETTING	INDICATOR	ADJUST	REMARKS
1. 455KC (400v Mod.)	Tuning gang fully open.	Output Meter across voice coil.	A1, A2	Adjust for maximum. Repeat as required.
2. 1640KC	"	"	A3	Adjust for maximum.
3. 600KC	Tune to Signal.	"	A4	Rock tuning gang and adjust for maximum. Repeat steps 2 and 3.
4. 1400KC	"	"	A5	Adjust for maximum.



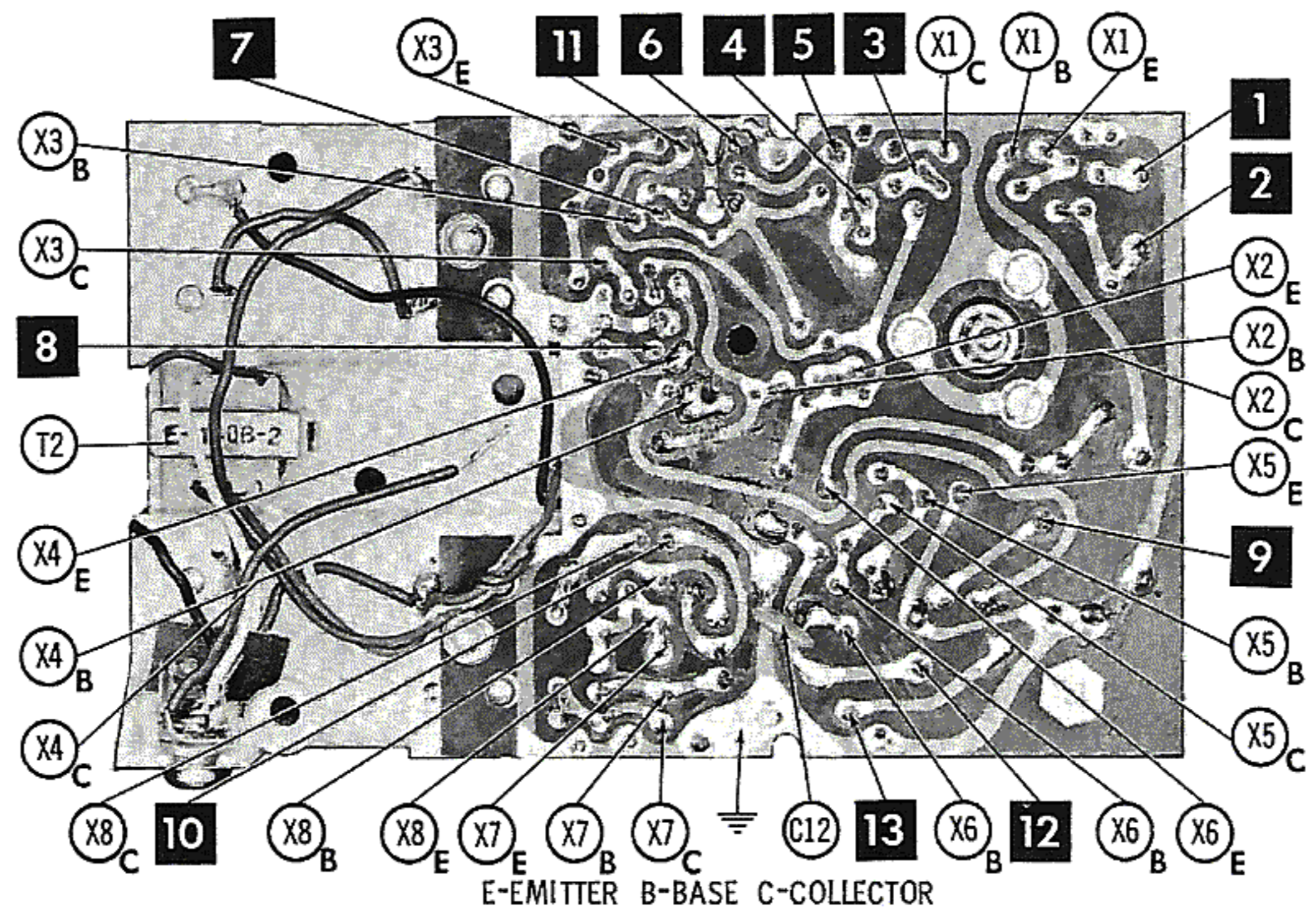
HOWARD W. SAMS & CO., INC. Indianapolis 6, Indiana



A PHOTOFAC STANDARD NOTATION SCHEMATIC
with **CIRCUITRACE**
©Howard W Sams & Co., Inc. 1963

- See parts list for alternate value or application.
1. Voltage measurements taken with vacuum tube voltmeter.
 2. All controls set for normal operation, no signal applied.
 3. Measured values are from socket pin or terminal to common ground.
 4. All terminals viewed from bottom unless otherwise designated.
 5. Numbers assigned to terminals may not be found on the unit.
 6. Supply voltage maintained at rated value for voltage readings.
 7. Resistance measurements not given because of the wide variation in internal resistance of transistor.

**AIRLINE
MODEL GEN-1228A**



PARTS LIST A

TRANSISTORS

ITEM No.	ORIG. TYPE	USE	REPLACEMENT DATA			NOTES
			DELCO PART No.	GENERAL ELECTRIC PART No.	RCA PART No.	
X1	2N1526	Converter	DS-25	GE-1	2N1527	PNP
X2	3458	AGC Rectifier	DS-25	GE-1	2N218	PNP
X3	2N1524	IF Amplifier	DS-25	GE-1	2N1524	PNP
X4	3458	Detector-AVC	DS-25	GE-1	2N218	PNP
X5	2N406	AF Amplifier	DS-26	GE-2	2N406	PNP
X6	2N406	Driver	DS-26	GE-2	2N406	PNP
X7	2N408	Output	DS-26	GE-2	2N408	PNP
X8	2N408	Output	DS-26	GE-2	2N408	PNP

ELECTROLYTIC CAPACITORS

ITEM No.	RATING		REPLACEMENT DATA						
	CAP.	VOLT.	AIRLINE PART No.	AEROVOX PART No.	CORNELL-DUBILIER PART No.	GENERAL ELECTRIC PART No.	GENERAL INSTRUMENT PART No.	MALLORY PART No.	SPRAGUE PART No.
C1	50	10	E3240	PTT45	NLW50-10	MT1-16	MLV50-10	TT10X50	TE-1119
C2	10	10	E3238	PTT39	NLW10-15	MT1-5	MLV10-10	TT12X10	TE-1114
C3	5	10	E3227	PTT37	NLW5-15	MT1-3	MLV5-12	TT12X5	TE-1127
C4	50	10	E3240	PTT45	NLW50-10	MT1-16	MLV50-10	TT10X50	TE-1119

FIXED CAPACITORS

ITEM No.	RATING	REMARKS	REPLACEMENT DATA					
			AEROVOX PART No.	CENTRALAB PART No.	CORNELL-DUBILIER PART No.	ELMENCO PART No.	MALLORY PART No.	SPRAGUE PART No.
C5	.02		TTD-02	CK-203	H05S2		TA-120	TG-S20
C6	.01		TTD-01	CK-103	H05S1		TA-110	TG-S10
C7	10 NPO 10%		NPO-DI 10	DTZ-10	C10QIC	CC TO-100	CNO-410	10TCC-Q10
C8	.05		TTD-05	CK-503	H05S5		TA-150	TG-S50
C9	.05		TTD-05	CK-503	H05S5		TA-150	TG-S50
C10	.05		TTD-05	CK-503	H05S5		TA-150	TG-S50
C11	.02		TTD-02	CK-203	H05S2		TA-120	TG-S20
C12	.005		TTD-005	CK-502	H05D5		TA-250	TG-D50
C13	.1mfd		TTD-1	CK-104	H05P1		TA-010	TG-P10

CONTROLS

All wattages 1/2 watt, or less, unless otherwise listed.

ITEM No.	USE	RESISTANCE	REPLACEMENT DATA				
			AIRLINE PART No.	CENTRALAB PART No.	CLAROSTAT PART No.	CTS-IRC PART No.	MALLORY PART No.
R1	Volume & Switch	5000Ω	E2563A				

COILS (RF-IF)

ITEM No.	USE	REPLACEMENT DATA					NOTES
		AIRLINE PART No.	MERIT PART No.	MILLER PART No.	STANCOR PART No.	WORKMAN PART No.	
L1	Loopstick	E6045B					
L2	Osc.	E6150A					
L3	Input IF	E6265A					
L4	Output IF	E6266A					

TRANSFORMER (DRIVER)

ITEM No.	TURNS RATIO		REPLACEMENT DATA					NOTES
	PRI.	SEC.	AIRLINE PART No.	MERIT PART No.	STANCOR PART No.	THORDARSON PART No.	TRIAD PART No.	
T1	1.4	1	E1139B					

D DESCRIPTION

TRANSFORMER (AUDIO OUTPUT)

ITEM No.	IMPEDANCE		REPLACEMENT DATA					NOTES
			AIRLINE PART No.	MERIT PART No.	STANCOR PART No.	THORDARSON PART No.	TRIAD PART No.	
	PRI.	SEC.						
T2	300Ω CT	3-4Ω	E1140B(-2)		TA-20	TR-101		

SPEAKER

ITEM No.	TYPE	REPLACEMENT DATA		NOTES
		AIRLINE PART No.	QUAM PART No.	
SP1	2 3/4" PM 3-4Ω	E1087B	27A06Z12	

BATTERIES

ITEM No.	VOLTAGE	AIRLINE PART No.	REPLACEMENT DATA			NOTES
			BURGESS	EVEREADY	MALLORY	
M1	6	62-21	930 (AL-9 or Hg-9)	1015 (E91 or E9)	M-15R(MN1500 or ZM-9)	4 Required

MISCELLANEOUS

ITEM No.	PART NAME	AIRLINE PART No.	NOTES
M2	Tuning Cap.	E3540A	2 Gang

CABINETS & CABINET PARTS

(When Ordering Specify Model, Chassis & Color)

ITEM	PART No.	ITEM	PART No.
Knob, Tuning	E50300B	Cabinet, Front	E98039
Knob, Volume	E50301B	Cabinet, Back	E98040

WIRING DATA

General-use Unshielded Hook-up Wire Use BELDEN No. 8530 (Solid 22AWG) Available
 8524 (Stranded 22AWG) in
 8570 (Stranded 26AWG) 12 Colors

DIAL CORD STRINGING

