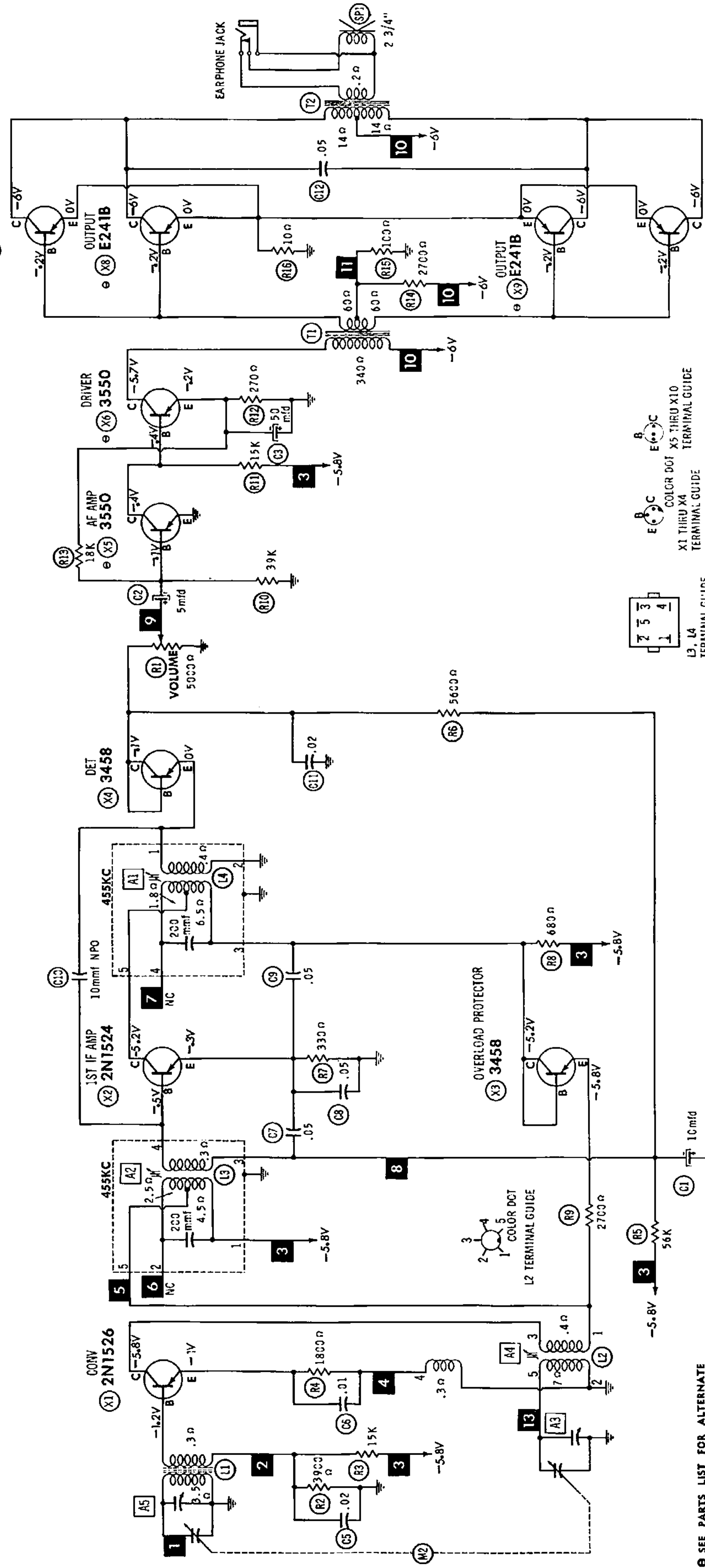




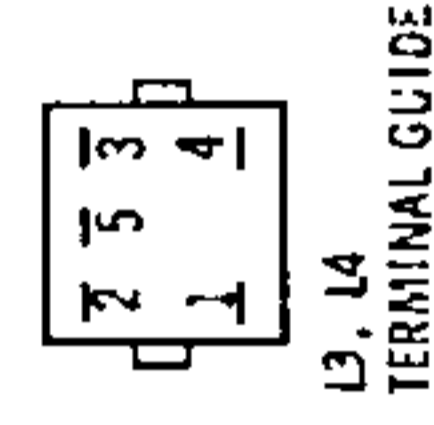
OUTPUT  
e (X7) E241B



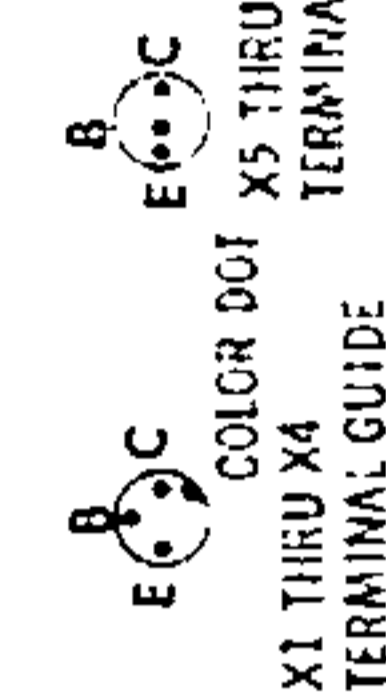
SEE PARTS LIST FOR ALTERNATE VALUE OR APPLICATION

RESISTANCE MEASUREMENTS NOT GIVEN BECAUSE OF THE WIDE VARIATION IN INTERNAL TRANSISTOR RESISTANCE.

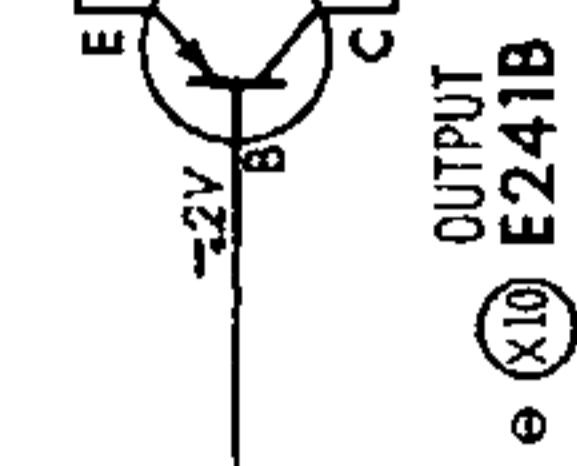
NUMBERS ASSIGNED TO COILS, SWITCHES, PLUGS, SOCKETS, AND TRANSFORMERS ARE TO FACILITATE CIRCUIT TRACING OR COMPONENT REPLACEMENT AND MAY NOT NECESSARILY BE FOUND ON THE UNIT.



L3, L4  
TERMINAL GUIDE



X1 THRU X4  
TERMINAL GUIDE



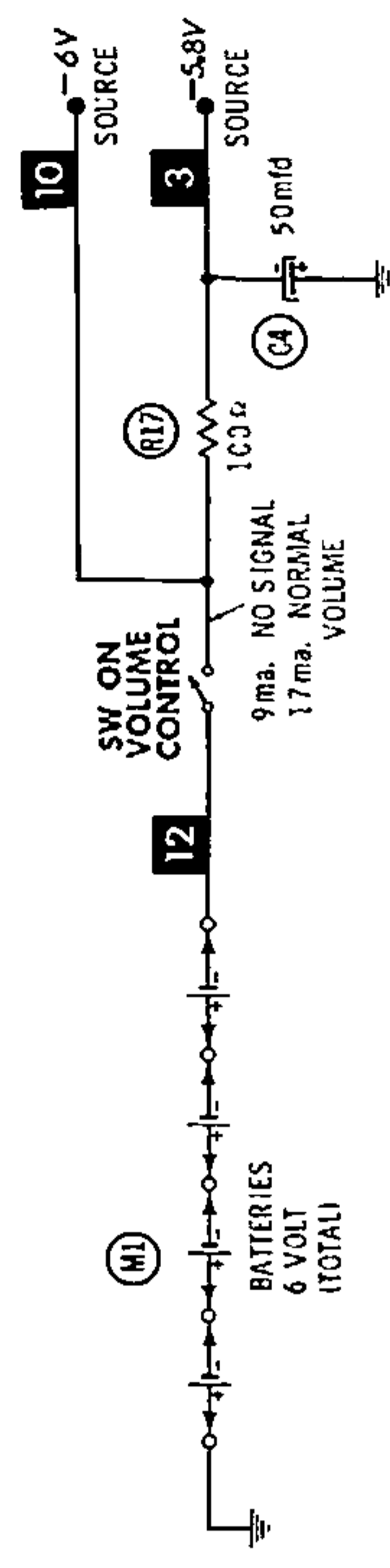
X5 THRU X10  
TERMINAL GUIDE

### AIRLINE MODEL GENI218A

1. DC voltage measurements taken with vacuum tube voltmeter.
2. Socket connections or transistor terminals are shown as bottom views.
3. Measured values are from socket pin or terminal to common ground.
4. Nominal tolerance on component values makes possible a variation of  $\pm 15\%$  in voltage and resistance readings.
5. Volume control at maximum, no signal applied for voltage measurements.

A PHOTOFACIT STANDARD NOTATION SCHEMATIC  
with **CIRCUITRACE**

© Howard W. Sams & Co., Inc. 1962



# PARTS LIST AND DESCRIPTIONS

## TRANSISTORS

ITEM No.	ORIG. TYPE	USE	REPLACEMENT DATA		Notes
			GENERAL ELECTRIC PART No.	RCA PART No.	
X1	2N1520	Converter	GE-1		PNP
X2	2N1524	1st IF Amplifier	GE-1		PNP
X3	3458	Overload Protector	GE-1		PNP
X4	3458	Detector	GE-1		PNP
X5	E241(B)* 3550	A F Amplifier	GE-2	2N406	PNP
X6	E241(B)* 3550	Driver	GE-2	2N406	PNP
X7	E241B †	Output	GE-2	2N408	PNP
X8	E241B †	Output	GE-2	2N408	PNP
X9	E241B †	Output	GE-2	2N408	PNP
X10	E241B †	Output	GE-2	2N408	PNP

\* Airline Part Number.

† Airline Part Number, may end with letter A, B, C or D. Matched Units.

## ELECTROLYTIC CAPACITORS

ITEM No.	RATING		REPLACEMENT DATA						
	CAP.	VOLT.	AIRLINE PART No.	AEROVOX PART No.	CORNELL-DUBILIER PART No.	GENERAL ELECTRIC PART No.	MALLORY PART No.	PYRAMID PART No.	SPRAGUE PART No.
C1	10	10	E3238	PTT39	NLW10-15	MT1-5	TT12X10	MLV10-10	TE-1114
C2	5	10	E3227	PTT37	NLW5-15	MT1-3	TT12X5	MLV5-12	TE-1127
C3	50	10	E3240	PTT45	NLW50-10	MT1-16	TT10X50	MLV50-10	TE-1119
C4	50	10	E3240	PTT45	NLW50-10	MT1-16	TT10X50	MLV50-10	TE-1119

## FIXED CAPACITORS

ITEM No.	RATING	REMARKS	REPLACEMENT DATA					
			AEROVOX PART No.	CENTRALAB PART No.	CORNELL-DUBILIER PART No.	ELMENCO PART No.	MALLORY PART No.	SPRAGUE PART No.
C5	.02		TTD-02	DM-203	H-05S2	CCD-203	TA-120	5GA-S20
C6	.01		TTD-01	DM-103	H-05S1	CCD-103	TA-110	5GAB-S10
C7	.05		TTD-05	DF-503	H-05S5			
C8	.05		TTD-05	DF-503	H-05S5			
C9	.05		TTD-05	DF-503	H-05S5			
C10	10 NPO		NPO-DI 10	TC2-10	L10Q1C	CCTC-100	CNO-410	10TCC-Q10
C11	.02		TTD-02	DM-203	H-05S2	CCD-203	TA-120	5GA-S20
C12	.05		TTD-05	DF-503	H-05S5			

## CONTROLS

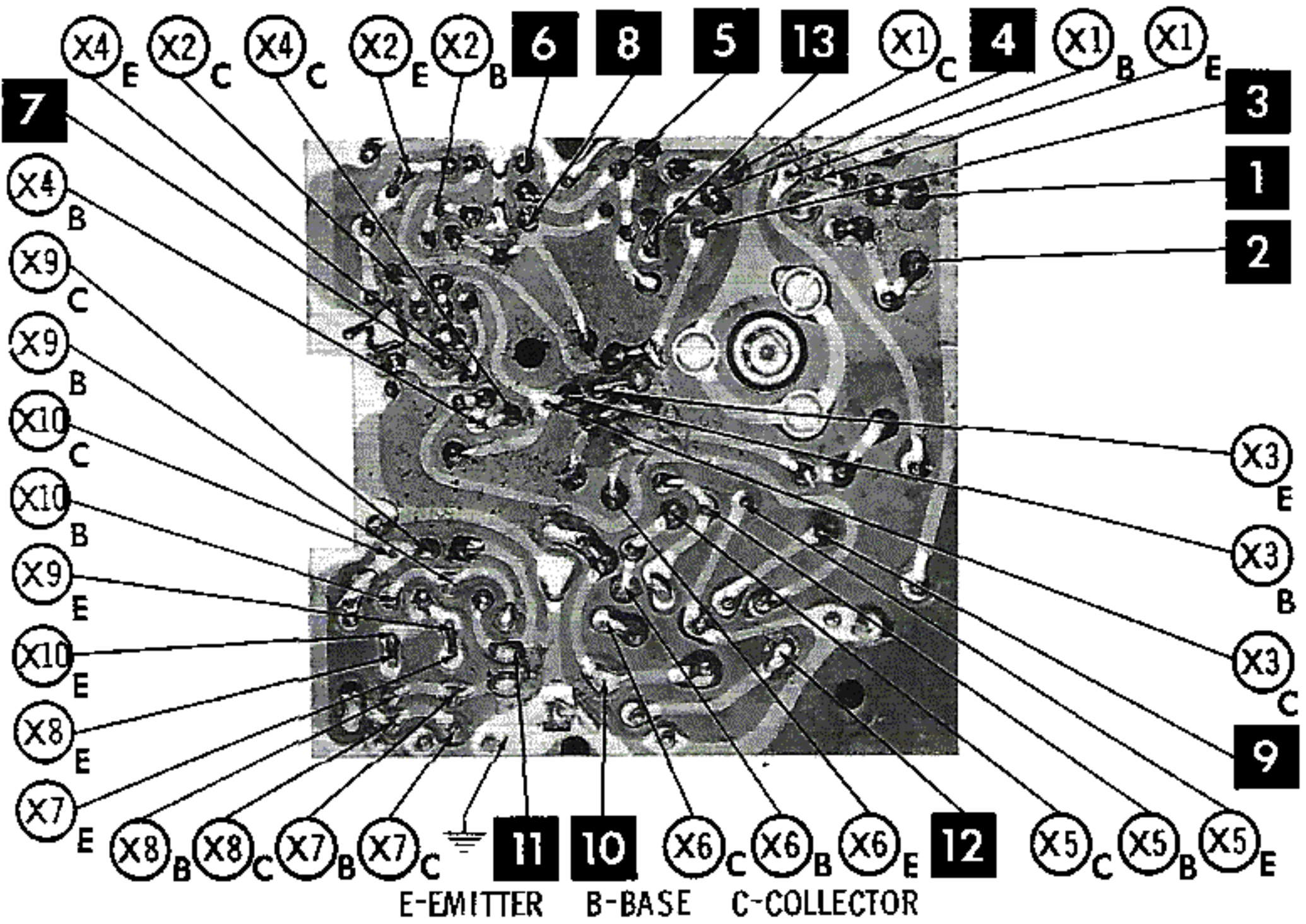
All wattages 1/2 watt, or less, unless otherwise listed.

ITEM No.	USE	RESISTANCE	REPLACEMENT DATA				
			AIRLINE PART No.	CENTRALAB PART No.	CLAROSTAT PART No.	CTS-IRC PART No.	MALLORY PART No.
R1	Volume & Switch	5000Ω	E2563A				

## RESISTORS

All wattages 1/2 watt, or less, unless otherwise listed.

ITEM No.	RATING	REPLACEMENT DATA			ITEM No.	RATING	REPLACEMENT DATA		
		IRC PART No.	WORKMAN PART No.	REMARKS			IRC PART No.	WORKMAN PART No.	REMARKS
R2	3900Ω				R10	39K			
R3	15K				R11	15K			
R4	1800Ω				R12	270Ω			
R5	56K				R13	18K			
R6	5600Ω				R14	2700Ω			
R7	330Ω				R15	100Ω			
R8	680Ω				R16	10Ω			
R9	2700Ω				R17	100Ω			



# PARTS LIST AND DESCRIPTIONS (Continued)

## COILS (RF-IF)

ITEM No.	USE	REPLACEMENT DATA					NOTES
		AIRLINE PART No.	Merit PART No.	Miller PART No.	Stancor PART No.	Workman PART No.	
L1	Loopbar Osc. Input IF Output IF	E6045B					
L2		E6150A					
L3		E6265A					
L4		E6266A					

## TRANSFORMER (DRIVER)

ITEM No.	TURNS RATIO		REPLACEMENT DATA					NOTES
			AIRLINE PART No.	MERIT PART No.	STANCOR PART No.	THORDARSON PART No.	TRIAD PART No.	
T1	PRI. 1.4	SEC. 1	E1139B					

## TRANSFORMER (AUDIO OUTPUT)

ITEM No.	IMPEDANCE		REPLACEMENT DATA					NOTES
			AIRLINE PART No.	Merit PART No.	Stancor PART No.	Thordarson PART No.	Triad PART No.	
T2	PRI. 300Ω CT	SEC. 8-4Ω	E1140B					

## SPEAKER

ITEM No.	TYPE			REPLACEMENT DATA		NOTES
				AIRLINE PART No.	QUAM PART No.	
BP1	SIZE 2 3/4"	FIELD PM	V. C. IMP. 8-4Ω	E1067	27A06	

## BATTERIES

ITEM No.	VOLTAGE	AIRLINE PART No.	REPLACEMENT DATA						NOTES
			BURGESS		EVEREADY		MALLORY		
			"A"	"B"	"A"	"B"	"A"	"B"	
M1	1 1/2V	82-67 †		930 *		1015 *		M-15R*	† Package of 4. * 4 Required

## MISCELLANEOUS

ITEM No.	PART NAME	AIRLINE PART No.	NOTES
M2	Tuning Cap.	E3540A	2 Gang

## CABINETS & CABINET PARTS

(When Ordering Cabinets & Cabinet Parts, Specify Model, Chassis & Color)

NAME	PART NO.	DESCRIPTION
Disc, Tuning Knob, Volume Knob, Tuning Cabinet Front Cabinet Back	E1675 E50227 E50226 E70237 E70238	

## WIRING DATA

General-use Unshielded Hook-up Wire ..... Use Belden No. 8530 (Solid 22AWG) Available in 12 Colors  
 8524 (Stranded 22AWG)  
 8570 (Stranded 26AWG)

