

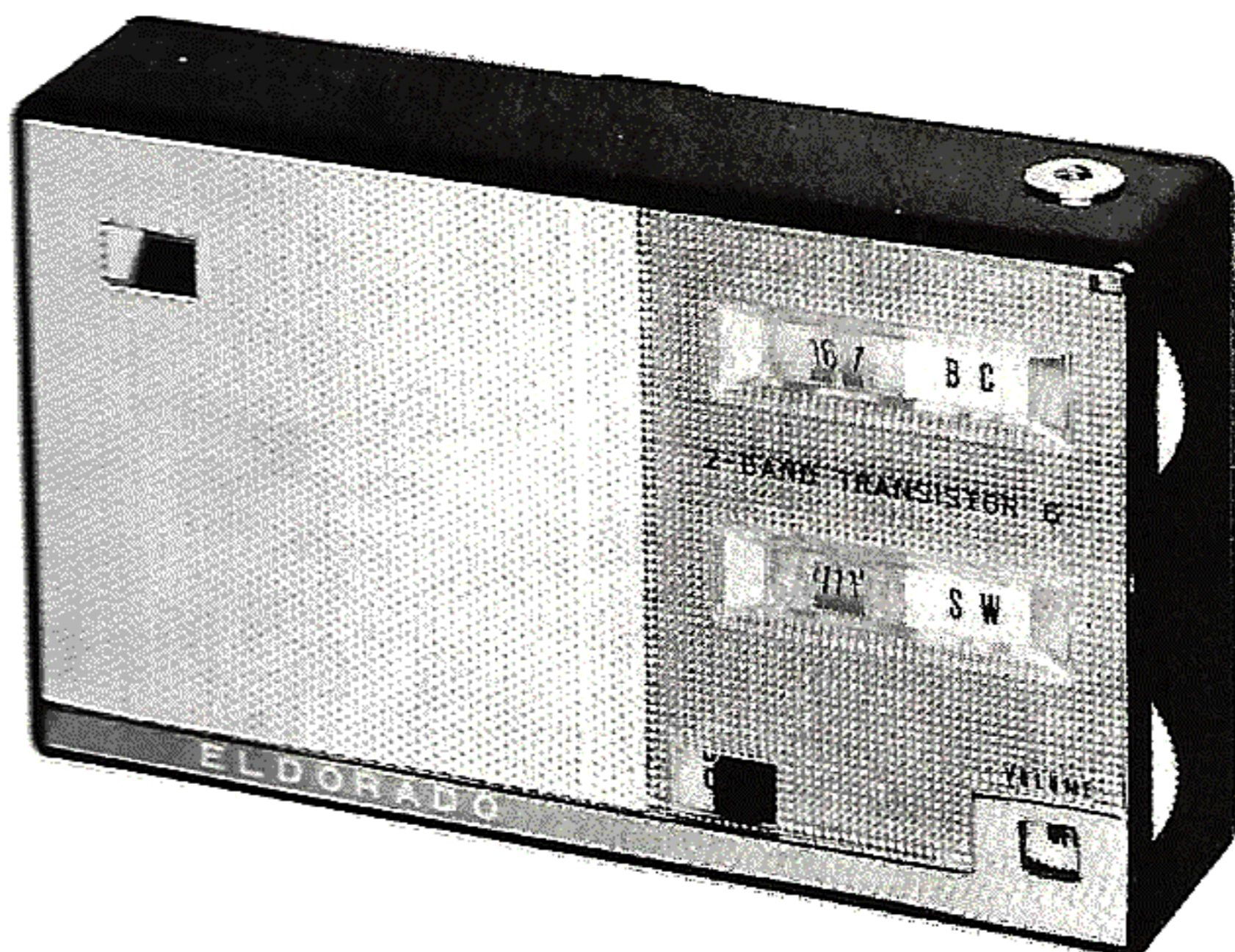
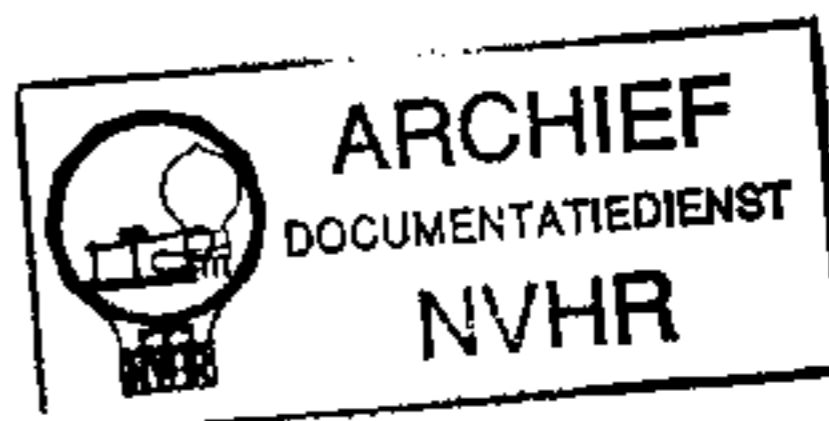
PHOTOFACT[®] Folder

with CIRCUITRACE[®]

AIRLINE MODEL
GEN-1208A (ELDORADO)

Ned. Ver. v. Historie v/d Radio

Met dank aan Jef Bos



TYPE NAME Airline Model GEN-1208A
MANUFACTURER Montgomery Ward & Co., 619 Chicago Ave., Chicago 7, Illinois
TYPE OF Battery Operated Transistorized Portable BC-SW Receiver
BATTERY SUPPLY 3 VOLT DC
RATING 5MA @ 9 Volts DC (No Signal, Min. Volume)
 10MA @ 9 Volts DC (Signal, Normal Volume)
TUNING RANGE - BROADCAST 540-1640KC
SHORT WAVE 3.8 - 12.2MC

ALIGNMENT INSTRUCTIONS

ALIGNMENT INSTRUCTIONS—READ CAREFULLY BEFORE ATTEMPTING ALIGNMENT

Output of signal generator should be no higher than necessary to obtain an output.

Required Alignment Tools:

- A. GENERAL CEMENT #8607, 9291, 9294
WALSCO #2520, 2522, 2523, 2524, 2534, 2537
- B. GENERAL CEMENT #5009, 8195, 8274, 8275, 8278, 8728, 8729, 8987, 8988, 8989
WALSCO #2515, 2531, 2532
- C. GENERAL CEMENT #9440

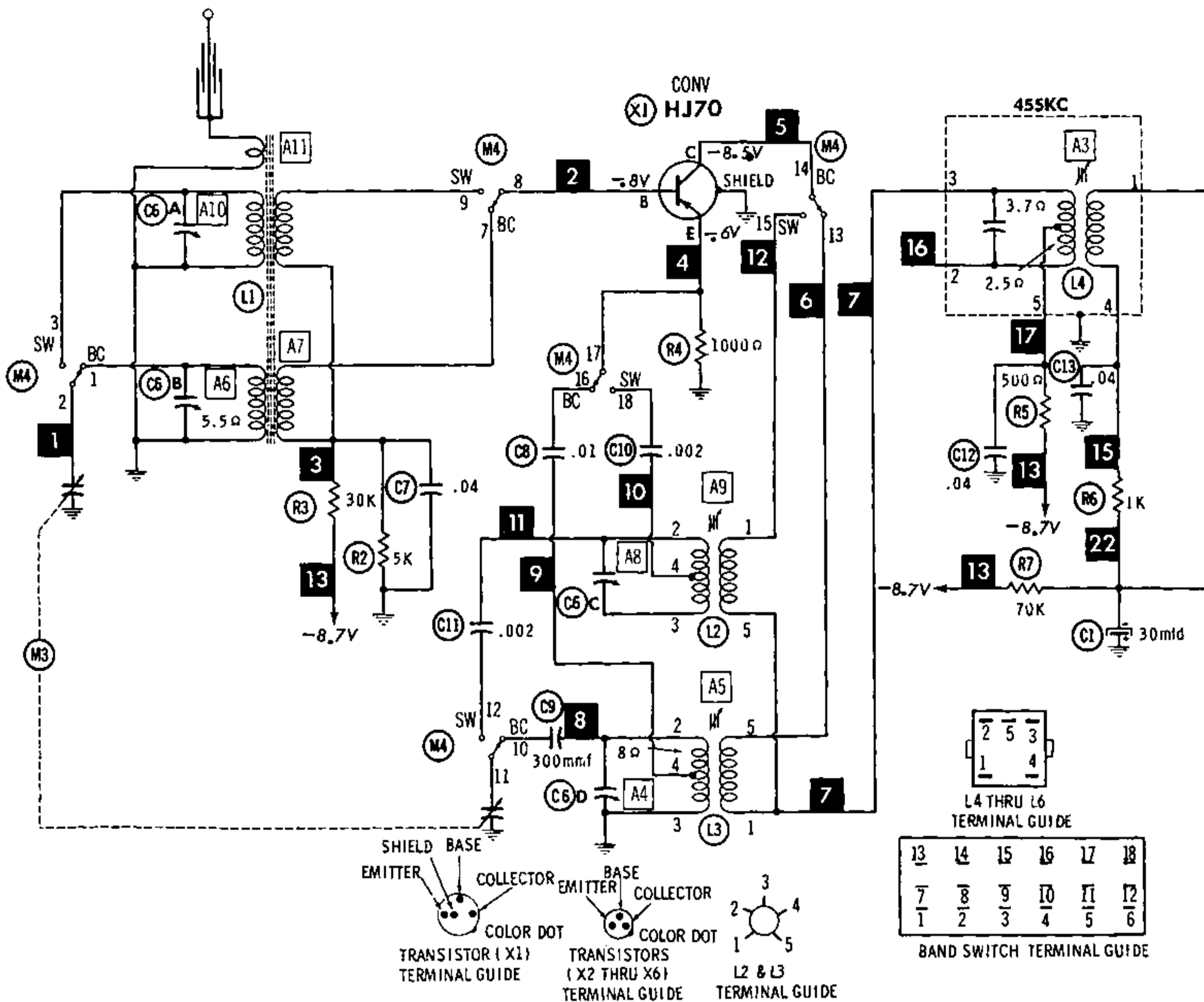
SIGNAL GENERATOR FREQUENCY	RADIO DIAL SETTING	OUTPUT METER	ADJUST	REMARKS
455KC (±00% Mod.)	(BC) Tuning gang fully open.	Across voice coil.	A1, A2, A3	Adjust for maximum output.
1640KC	"	"	A4	"
540KC	Tuning gang fully closed.	"	A5	"
1400KC	1400KC Signal.	"	A6	"
600KC	600KC Signal.	"	A7	Adjust for maximum output by moving coil turns along ferrite core.
12.2MC	(SW) Tuning gang fully open.	"	A8	Adjust for maximum output.
3.8MC	Tuning gang fully closed.	"	A9	"
10MC	10MC Signal.	"	A10	"
4MC	4MC Signal.	"	A11	Adjust for maximum output by moving coil turns along ferrite core.

HOWARD W. SAMS & CO., INC. Indianapolis 6, Indiana

The listing of any available replacement part herein does not constitute in any case a recommendation, warranty or guarantee by Howard W. Sams & Co., Inc., as to the quality or suitability of such replacement part. The numbers of parts herein have been compiled from information furnished to Howard W. Sams & Co., Inc., by the manufacturers of

the particular type of replacement part listed. Reproduction or use, without express permission, of editorial or pictorial content, in any manner, is prohibited. No patent liability is assumed with respect to the use of the information contained herein. ©1962 Howard W. Sams & Co., Inc., Indianapolis 6, Indiana. Printed in U.S. of America

TELESCOPIC ANTENNA



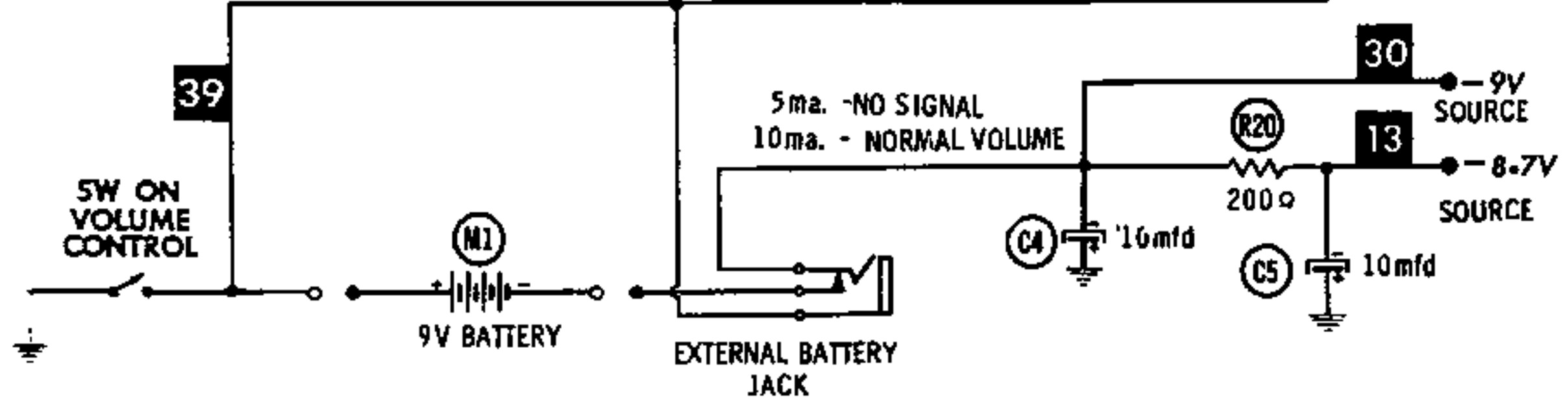
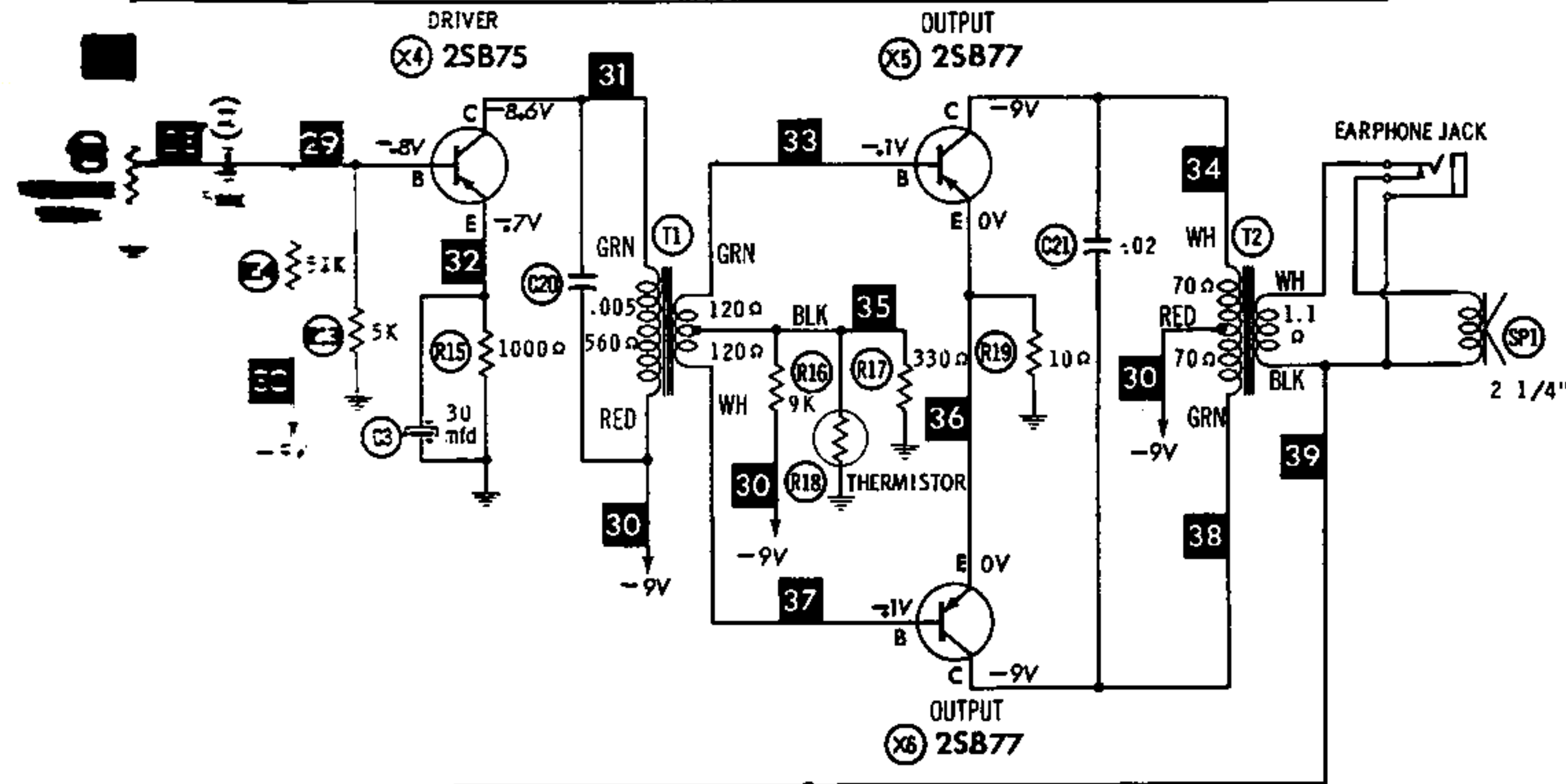
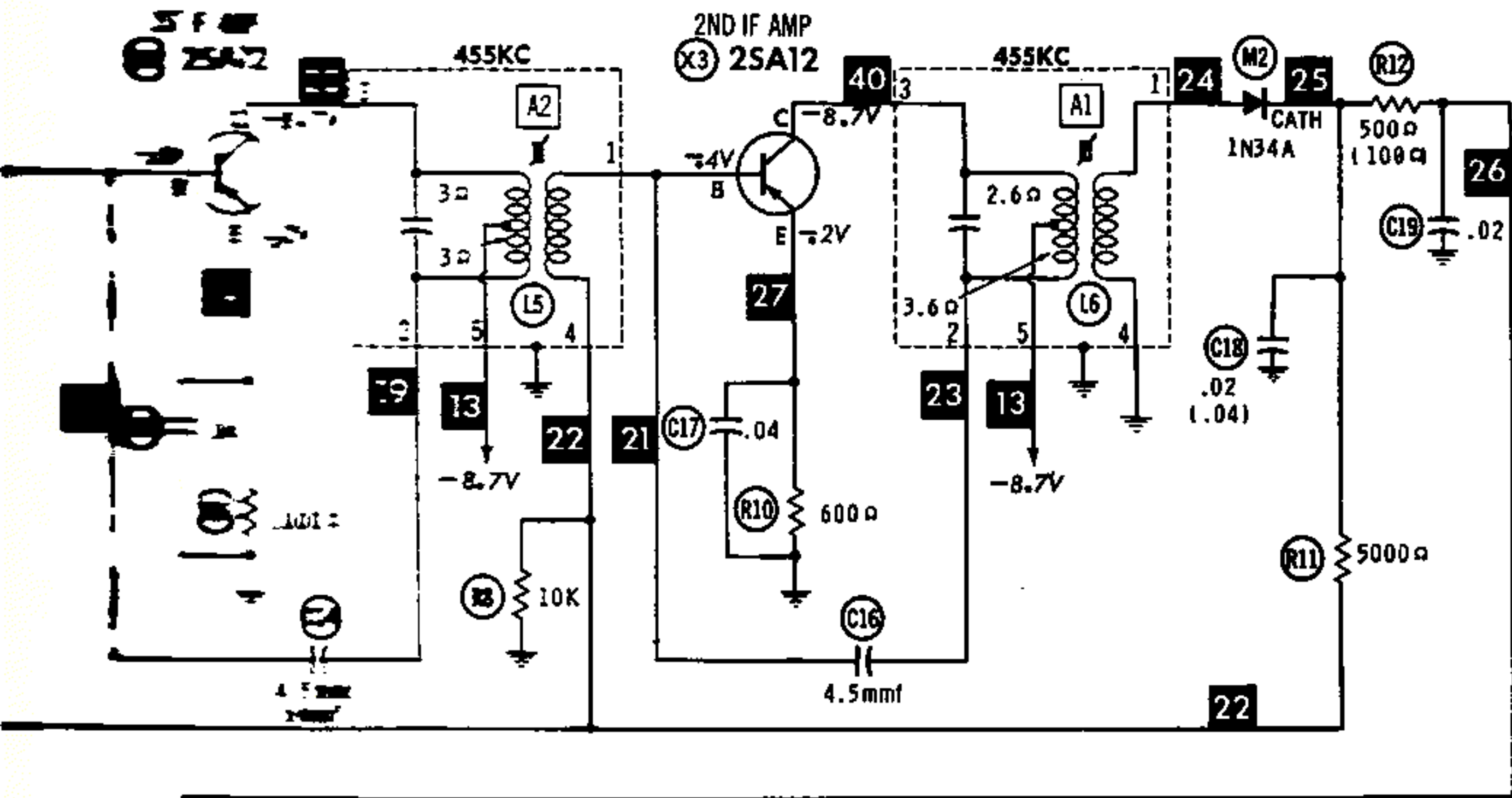
DC COIL RESISTANCE VALUES UNDER ONE OHM NOT SHOWN ON SCHEMATIC DIAGRAM

NUMBERS ASSIGNED TO COILS, SWITCHES, PLUGS, SOCKETS, AND TRANSFORMERS ARE TO FACILITATE CIRCUIT TRACING OR COMPONENT REPLACEMENT AND MAY NOT NECESSARILY BE FOUND ON THE UNIT.

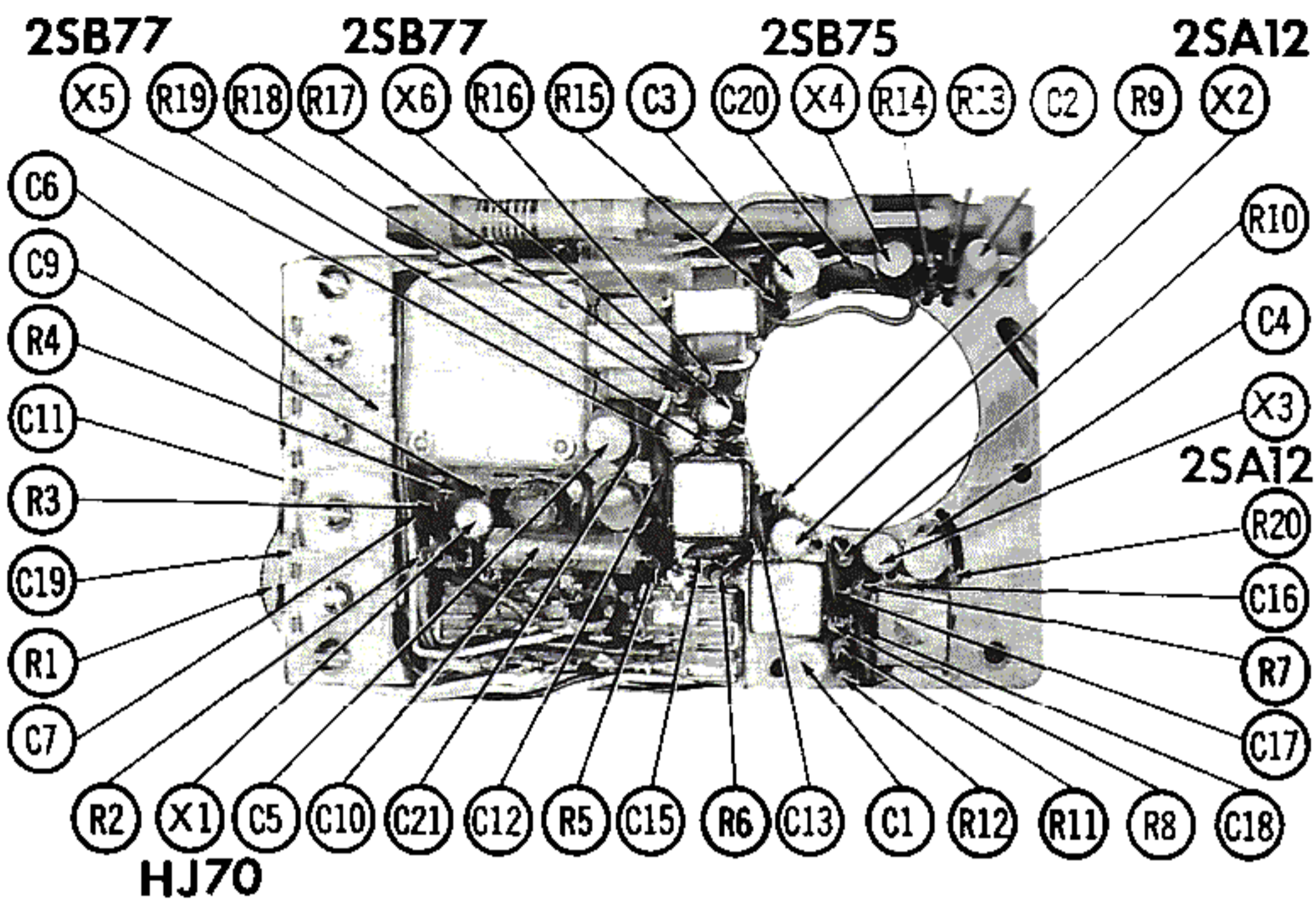
RESISTANCE MEASUREMENTS NOT GIVEN BECAUSE OF THE WIDE VARIATION IN INTERNAL TRANSISTOR RESISTANCE.

1. DC voltage measurements taken with vacuum tube voltmeter.
2. Socket connections or transistor terminals are shown as bottom views.
3. Measured values are from socket pin or terminal to common ground.
4. Nominal tolerance on component values makes possible a variation of $\pm 15\%$ in voltage and resistance readings.
5. Volume control at maximum, no signal applied for voltage measurements.

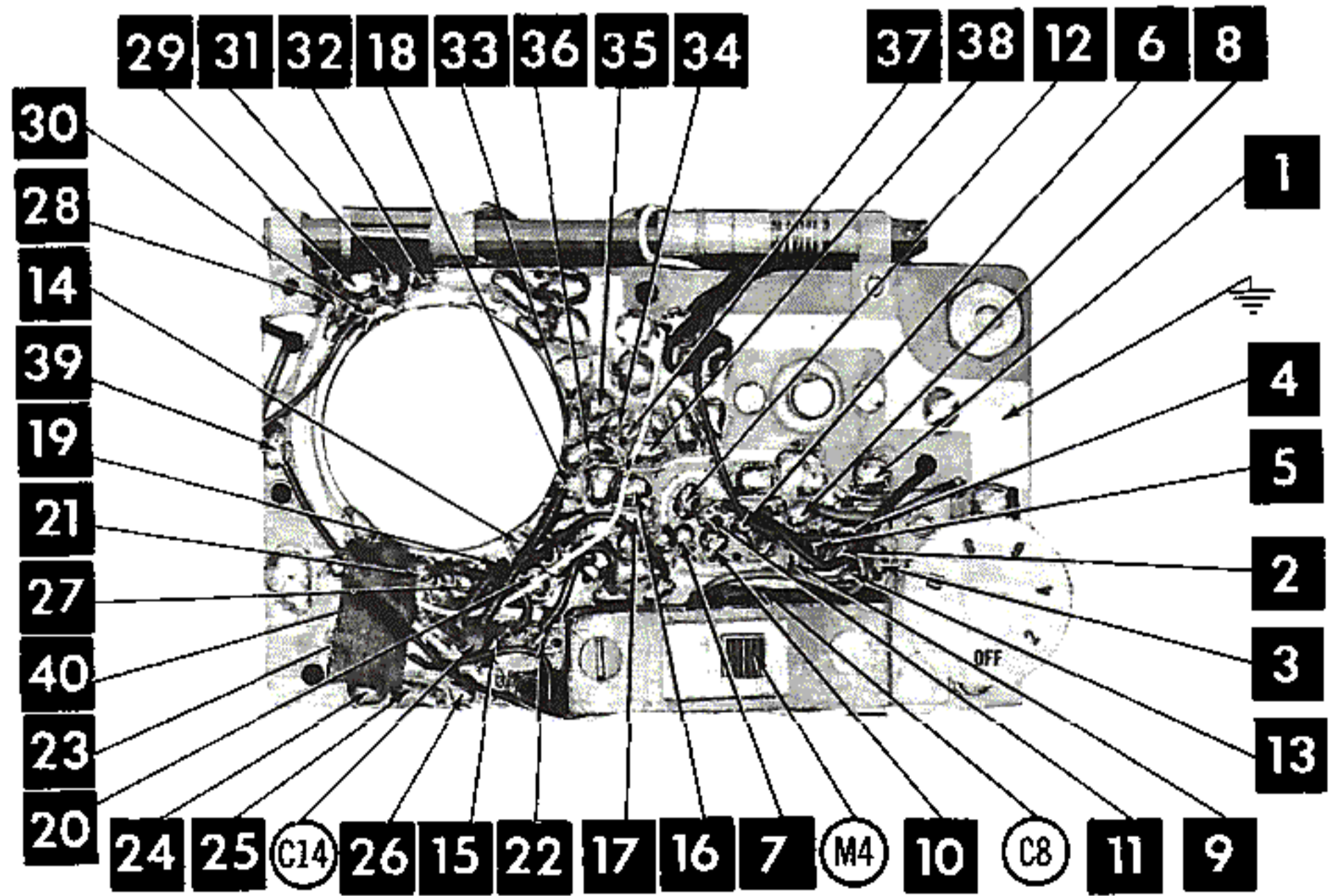
A PHOTOFACIT STANDARD NOTATION SCHEMATIC with **CIRCUITRACE**



AIRLINE MODEL GEN-1208A (ELDORADO)



PRINTED BOARD-CAPACITOR, RESISTOR & TRANSISTOR IDENT.



PARTS LIST AND

TRANSISTORS

ITEM No.	DEVICE TYPE	USE	REPLACEMENT DATA		POLARITY
			RTA PART No.	RAYTHEON PART No.	
X1	2N170*	Converter	2N1177		PNP
X2	2N412	1st IF Amplifier	2N410		PNP
X3	2N412	2nd IF Amplifier	2N410		PNP
X4	25D76	Driver	2N406		PNP
X5	28D77	Output	2N408		PNP
X6	28D77	Output	2N408		PNP

* Alternate Type 28A80.

ELECTROLYTIC CAPACITORS

ITEM No.	RATING		REPLACEMENT DATA						
	CAP.	VOLT.	AIRLINE PART No.	AEROVOX PART No.	CORNELL-DUBILIER PART No.	GENERAL ELECTRIC PART No.	MALLORY PART No.	PYRAMID PART No.	SPRAGUE PART No.
C1	30	3	J3211		NLW30-6	MT1-13	TT6X30	MLV30-6	TE-1092
C2	5	3	J3212		NLW5-15	MT1-3	TT6X5	MLV5-3	TE-1052, 2
C3	30	3	J3211		NLW30-6	MT1-13	TT6X30	MLV30-6	TE-1092
C4	10	10	J324		NLW10-15	MT1-5	TT12X10	MLV10-10	TE-1114
C5	10	10	J324		NLW10-15	MT1-5	TT12X10	MLV10-10	TE-1114

FIXED CAPACITORS

ITEM No.	RATING	REMARKS	REPLACEMENT DATA					
			AEROVOX PART No.	CENTRALAB PART No.	CORNELL-DUBILIER PART No.	ELMENCO PART No.	MALLORY PART No.	SPRAGUE PART No.
C6A C6B C6C C6D		#J3510						
C7	.04	#J-332						
C8	.01		C80V103AM	DM-103	H-05S1		TA-110	TG-S10
C9	300		SI 300	D8-301	L10T3	CCD-301	GP330	10TS-T30
C10	.002		SI 2000	D8-202	BYA10D2	CCD-202	B-210	5HK-D20
C11	.002		SI 2000	D8-202	BYA10D2	CCD-202	B-210	5HK-D20
C12	.04	#J-332						
C13	.04	#J-332						
C14	4.5mmf	(8) †	NPO-DI 4.7		C10V47C	CCTO-4R7	CNO-547	10TCC-V47
C15	.04	#J-332						
C16	4.5mmf		NPO-DI 4.7	DTZ-4R7	C10V47C	CCTO-4R7	CNO-547	10TCC-V47
C17	.04	#J-332						
C18	.02	(.04) †	C80V203AM	DA-203	H-05S2		TA-120	TG-S20
C19	.02		C80V203AM	DA-203	H-05S2		TA-120	TG-S20
C20	.005		C80V502AM	DM-502	H-05D6	CCD-502	TA-250	TG-D50
C21	.02		C80V203AM	DA-203	H-05S2		TA-120	TG-S20

‡ Airline Part Number.

† Alternate Value.

DESCRIPTIONS

CONTROLS

All wattages 1/2 watt, or less, unless otherwise listed.

ITEM No.	USE	RESISTANCE	REPLACEMENT DATA				
			AIRLINE PART No.	CENTRALAB PART No.	CLAROSTAT PART No.	CTS-IRC PART No.	MALLORY PART No.
R1	Volume & Switch	5000Ω	J-266				

RESISTORS

All wattages 1/2 watt, or less, unless otherwise listed.

ITEM No.	RATING	REPLACEMENT DATA			ITEM No.	RATING	REPLACEMENT DATA		
		IRC PART No.	WORKMAN TV PART No.	REMARKS			IRC PART No.	WORKMAN TV PART No.	REMARKS
R2	5000Ω				R12	500Ω			(100Ω) *
R3	30K				R13	5000Ω			
R4	1000Ω				R14	50K			
R5	500Ω				R15	1000Ω			
R6	1000Ω				R16	9000Ω			
R7	70K				R17	330Ω			
R8	10K				R18	Thermistor			Pt. #J245
R9	1000Ω				R19	10Ω			
R10	800Ω				R20	200Ω			
R11	5000Ω								

* Alternate Value.

COILS (RF-IF)

ITEM No.	USE	REPLACEMENT DATA					NOTES
		AIRLINE PART No.	Merit PART No.	Miller PART No.	Stancor PART No.	Workman TV PART No.	
L1A B	SW Loopstick BC Loopstick	J606					
L2	SW Osc.	J6119					
L3	BC Osc.	J6118					
L4	1st IF	J624					
L5	2nd IF	J625					
L6	3rd IF	J6212					

TRANSFORMER (DRIVER)

ITEM No.	TURNS RATIO		REPLACEMENT DATA					NOTES
	PRL	SEC.	AIRLINE PART No.	Merit PART No.	Stancor PART No.	Thordarson PART No.	Triad PART No.	
T1	2.3	1	J119					

PARTS LIST AND DESCRIPTIONS (Continued)

TRANSFORMER (AUDIO OUTPUT)

ITEM No.	IMPEDANCE		REPLACEMENT DATA					NOTES
			AIRLINE PART No.	Merit PART No.	Stancor PART No.	Thordarson PART No.	Triad PART No.	
	PRI.	SEC.						
T2	2000Ω CT	10-12Ω	J111					

SPEAKER

ITEM No.	TYPE			REPLACEMENT DATA		NOTES
				AIRLINE PART No.	QUAM PART No.	
	SIZE	FIELD	V. C. IMP.			
SP1	2 1/4"	PM	10-12Ω	J108	22A06Z8	

BATTERIES

ITEM No.	VOLTAGE	AIRLINE PART No.	REPLACEMENT DATA						NOTES
			BURGESS		EVEREADY		MALLORY		
			"A"	"B"	"A"	"B"	"A"	"B"	
M1	9V	62-124		2U6		216		M-1604	

SIGNAL DIODES

ITEM No.	ORIG. TYPE	REPLACEMENT DATA			NOTES
		AIRLINE PART No.	GENERAL ELECTRIC PART No.	RAYTHEON PART No.	
M2	1N34A			1N60	Detector

MISCELLANEOUS

ITEM No.	PART NAME	AIRLINE PART No.	NOTES
M3	Tuning Cap.	J359	2 Gang Band Selector (Slide Type) Whip
M4	Switch	J124	
	Antenna	J6117	

CABINETS & CABINET PARTS

(When Ordering Cabinets & Cabinet Parts, Specify Model, Chassis & Color)

NAME	PART NO.	DESCRIPTION
Knob	J5014	Tuning Volume
Knob	J5015	
Cabinet Back	J7023	
Cabinet Front	J7022	

WIRING DATA

General-use Unshielded Hook-up Wire Use BELDEN No. 8530 (Solid) Available in Ten Colors
8524 (Stranded) Available in Ten Colors

CHASSIS—TOP VIEW

