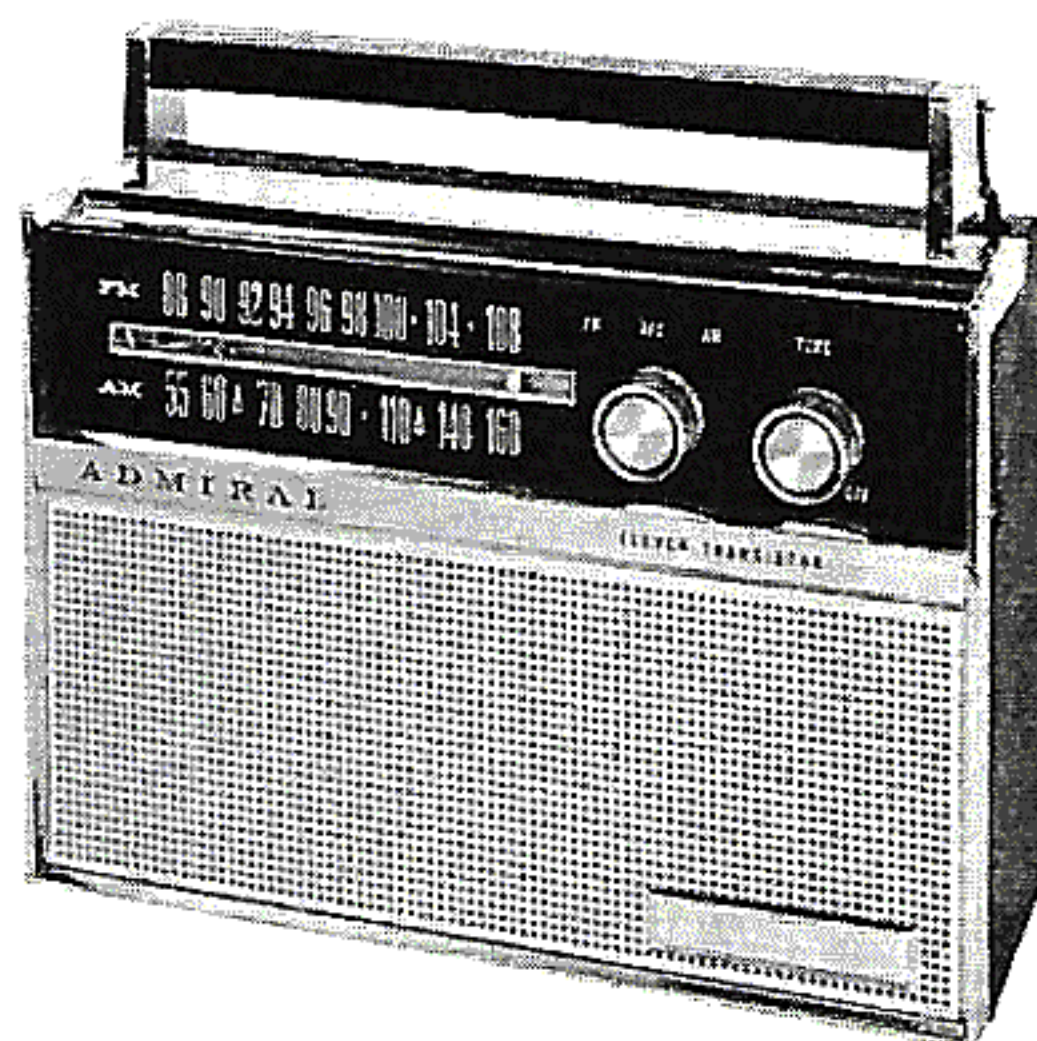




# PHOTOFACT<sup>®</sup>

Met dank aan Jef Bos

TRADE NAME: Admiral Model Y2371 (Ch. 11D1)  
 SUPPLIER: Admiral Corp., National Service Div.  
 903 Morrissey Drive, P. O. Box 845  
 Bloomington, Illinois  
 TYPE SET: 11 Transistor AM-FM Receiver  
 POWER SUPPLY: 9 Volts DC  
 RATING: (FM) 22 MA @ 9VDC (No Signal, Min. Volume)  
 44 MA @ 9VDC (Signal, Normal Volume)  
 TUNING RANGE: BROADCAST 540 - 1620KC  
 FREQ. MOD. 87.5 - 108.5MC



Ned. Ver. v. Histori



## ALIGNMENT INSTRUCTIONS

Check for specified source voltage.  
 Fashion loop of several turns of wire and connect generator across loop.  
 Adjust output of generator to radiate only enough signal into receiver to obtain a suitable indication.  
 Suggested Alignment Tools:

A1, A2, A3, A8, A9, A10, A11, A12, A15... GENERAL CEMENT #5067, 8282, 8606... WALSCO #2526, 2543  
 A5, A6, A13, A14... GENERAL CEMENT #8282, 8606, 9302... WALSCO #2511, 2526, 2543  
 A4, A7, A16, A19, A20... GENERAL CEMENT #5000, 5066, 8290... WALSCO #2512, 2525, 2528  
 A17, A18, A21... GENERAL CEMENT #9296, 9297, 9302... WALSCO #2546, 2547, 2511

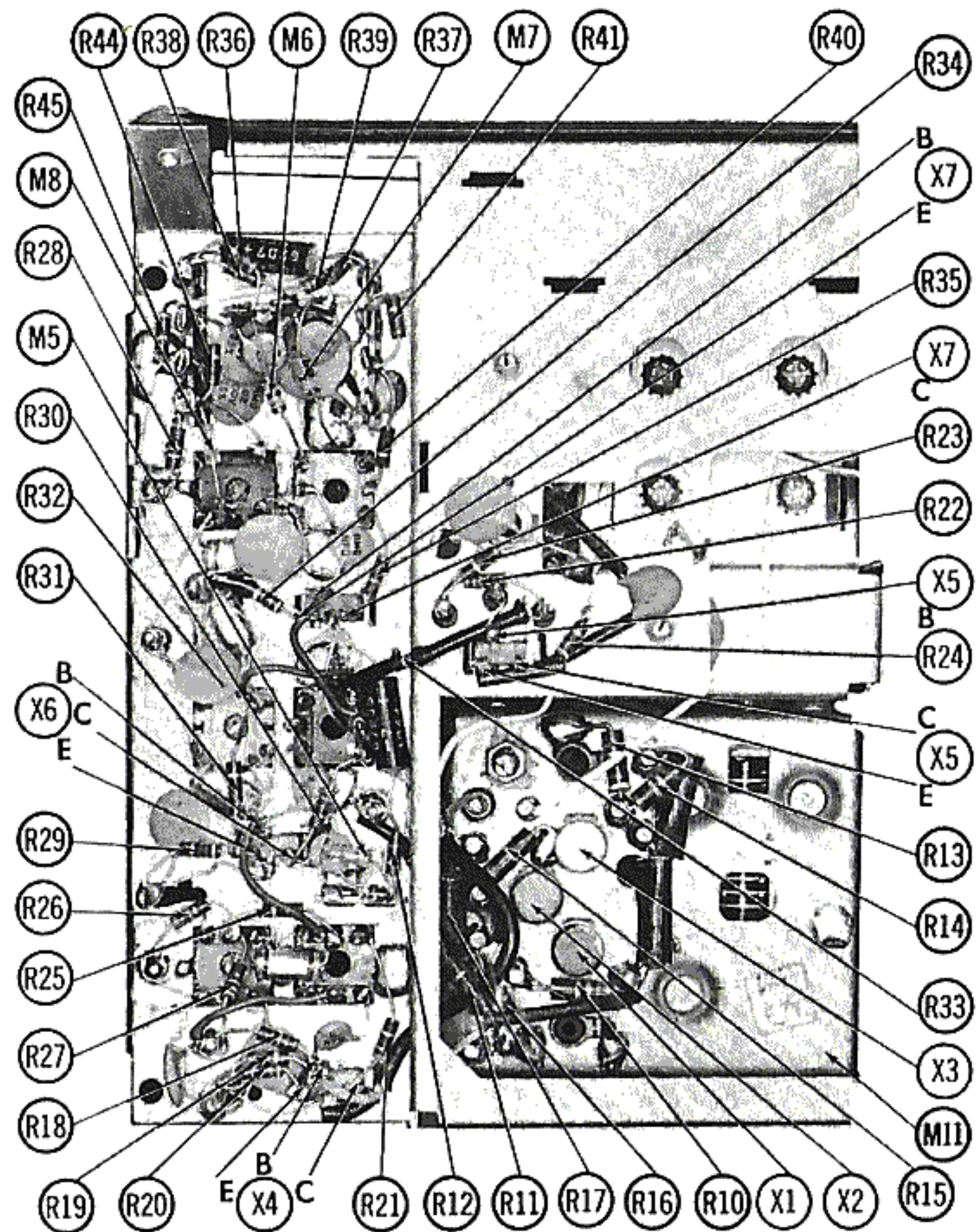
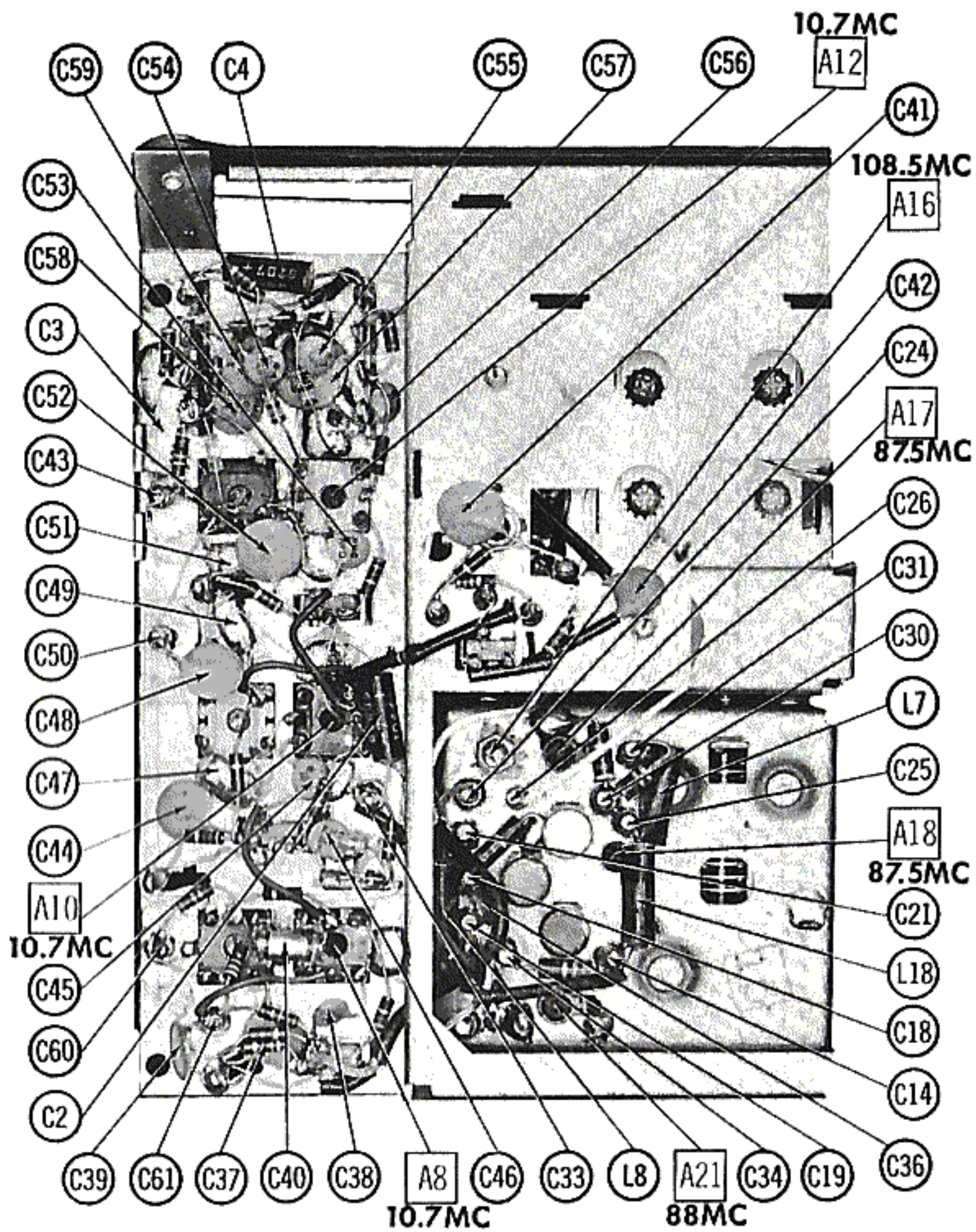
### AM ALIGNMENT - SELECTOR IN AM POSITION

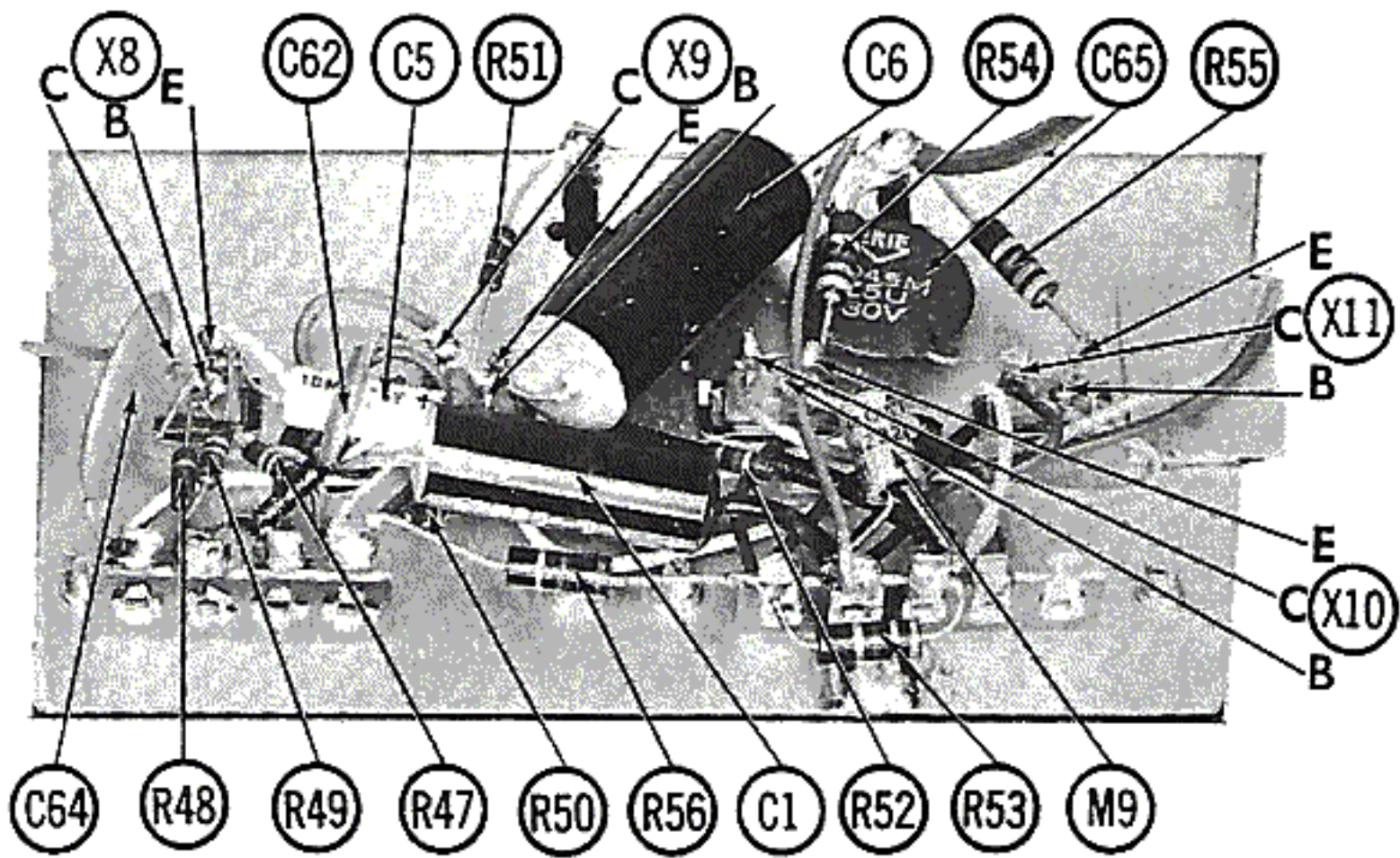
	SIGNAL GENERATOR FREQUENCY	RADIO DIAL SETTING	INDICATOR	ADJUST	REMARKS
1.	455KC (400v Mod.)	Tuning gang fully open.	Output Meter across voice coil.	A1, A2, A3	Adjust for maximum. Repeat as required.
2.	1620KC	"	"	A4	Adjust for maximum.
3.	600KC	Tune to Signal.	"	A5, A6	Rock tuning gang and adjust for maximum. Repeat steps 2 and 3.
4.	1400KC	"	"	A7	Adjust for maximum.

### FM ALIGNMENT - SELECTOR IN FM POSITION

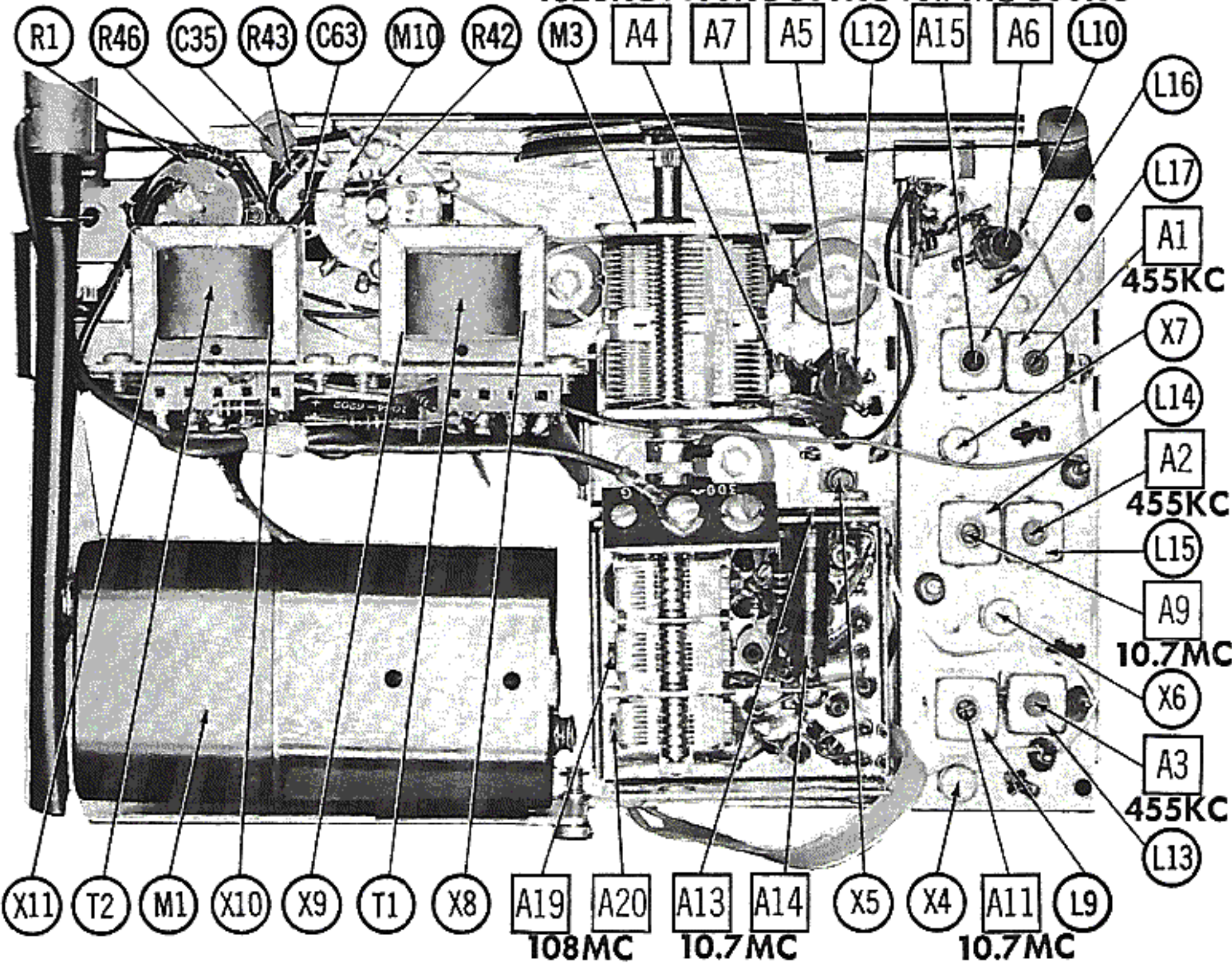
5.	10.7MC	Tuning gang fully open.	DC probe of VTVM to point $\diamond A$ , common to ground.	A8, A9, A10, A11, A12, A13, A14	Adjust for maximum.
6.	10.7MC	"	DC probe to point $\diamond B$ , common to ground.	A15	Adjust for zero reading. A positive and negative reading will be obtained on either side of the correct setting.
7.	108.5MC	108.5MC	DC probe to point $\diamond A$ , common to ground.	A16	Adjust for maximum.
8.	87.5MC	87.5MC	"	A17, A18	"
9.	108MC	108MC	"	A19, A20	"
10.	88MC	88MC	"	A21	"

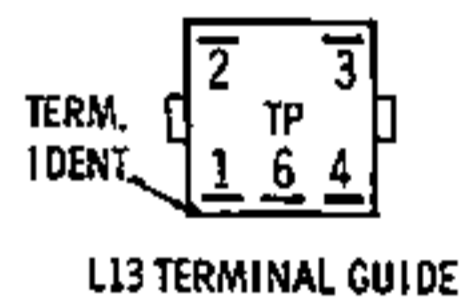
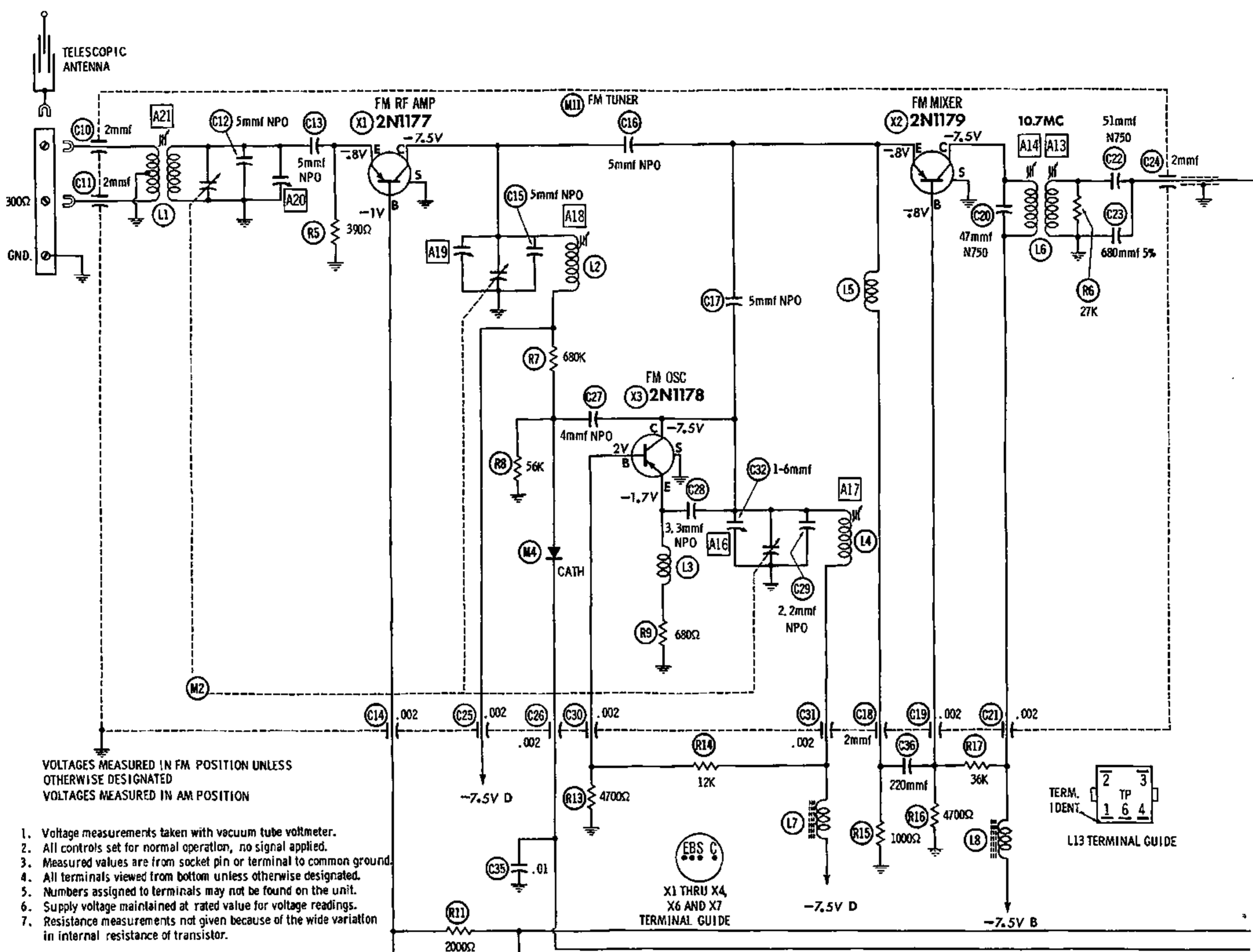
**HOWARD W. SAMS & CO., INC.** Indianapolis 6, Indiana



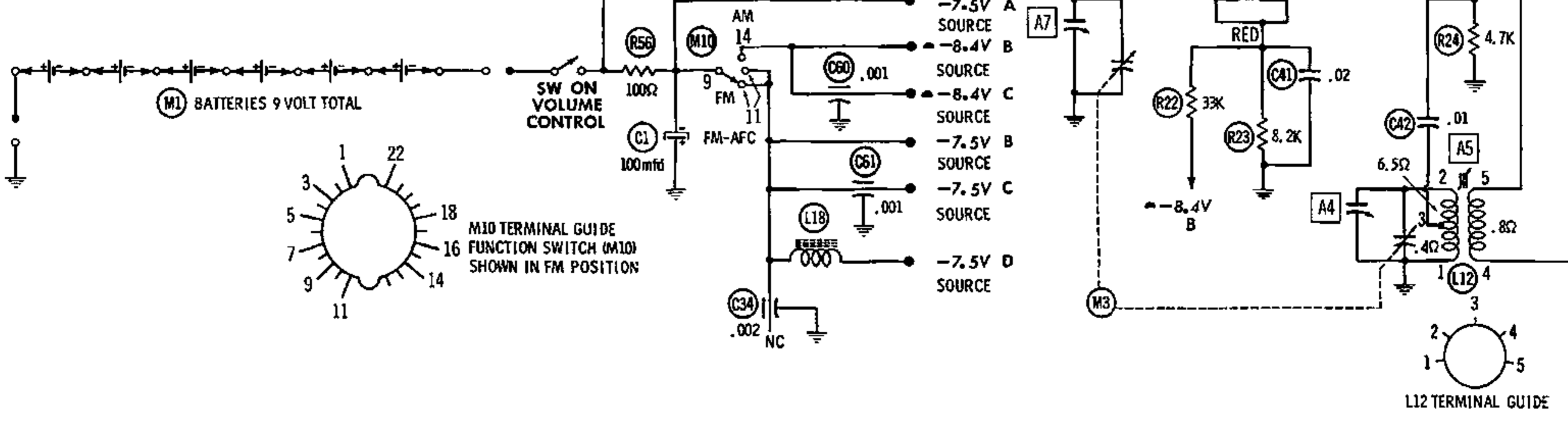


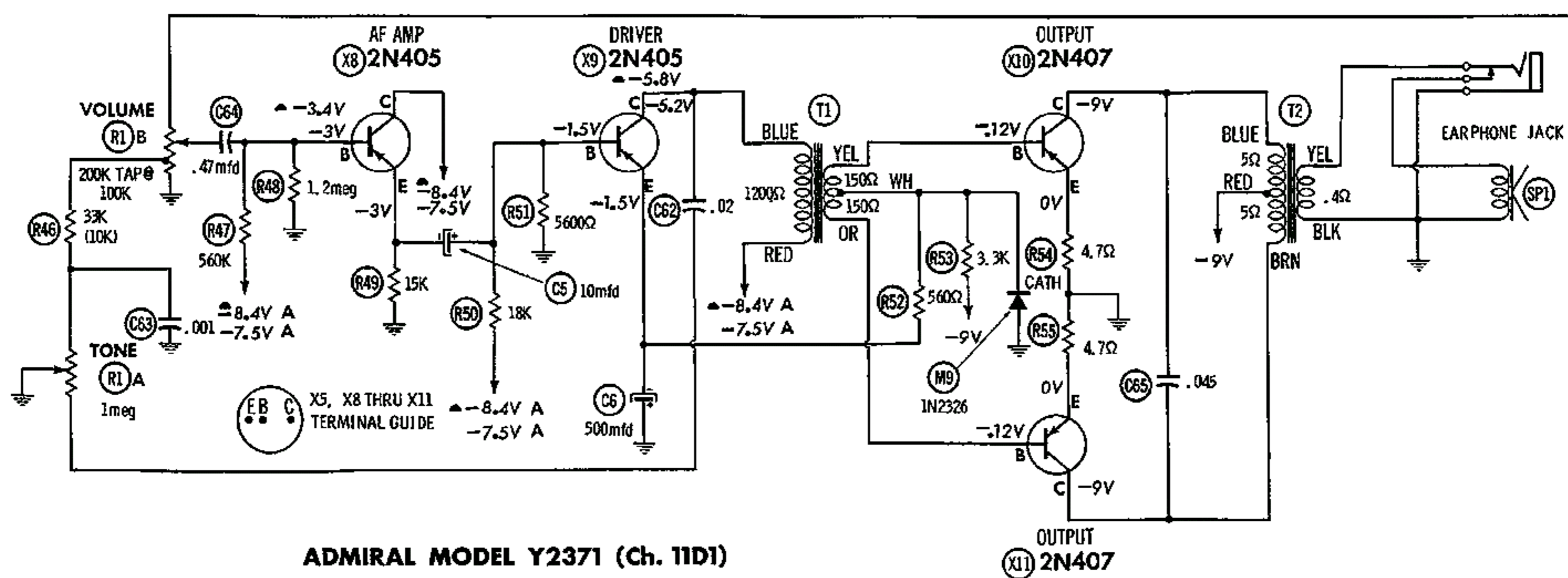
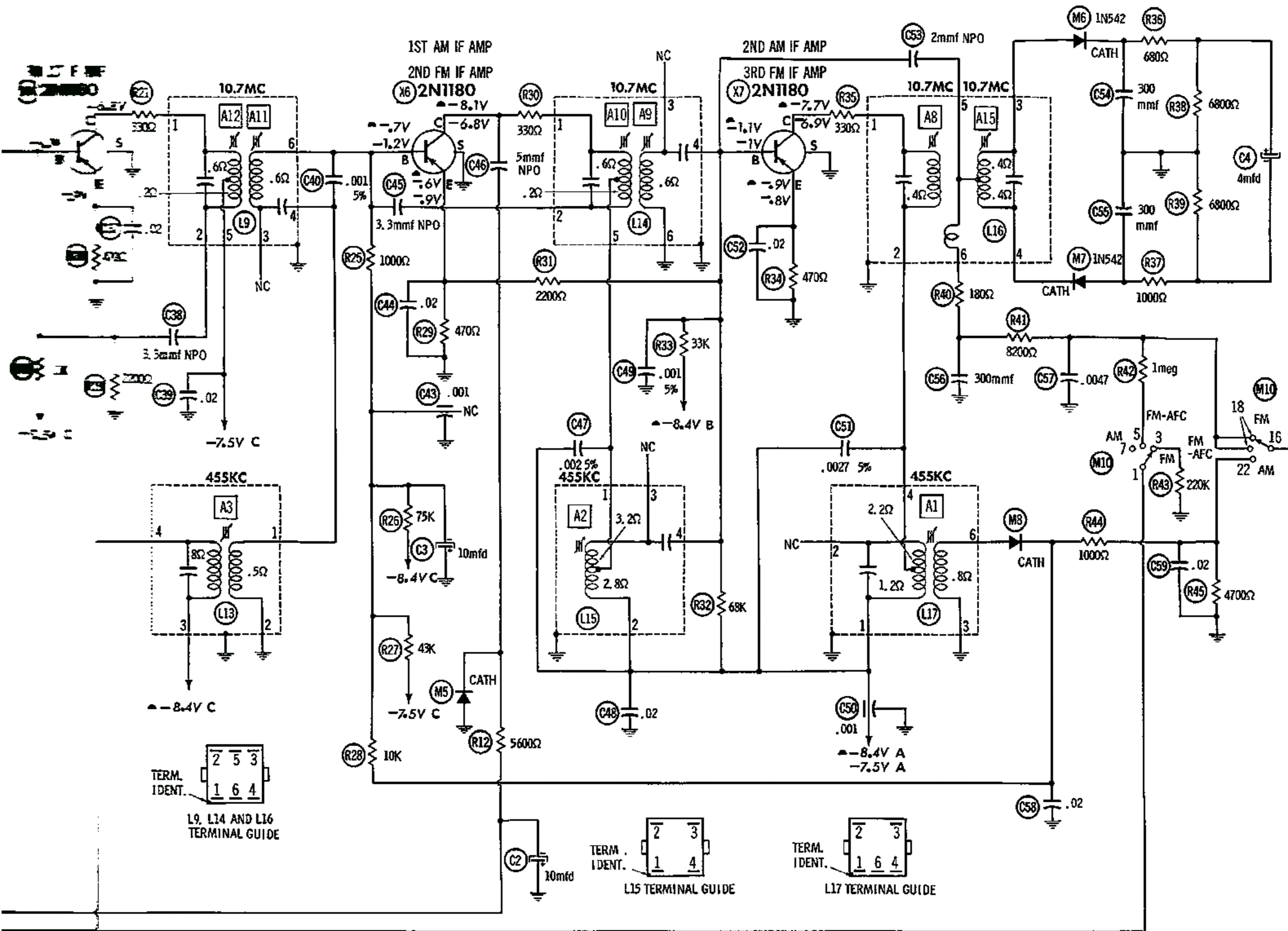
1620KC 1400KC 600KC 10.7MC 600KC





A PHOTOFACT STANDARD NOTATION SCHEMATIC  
 ©Howard W. Sams & Co., Inc. 1963





ADMIRAL MODEL Y2371 (Ch. 11D1)

## TRANSISTORS

ITEM No.	ORIG. TYPE	USE	REPLACEMENT DATA			NOTES
			DELCO PART No.	GENERAL ELECTRIC PART No.	RCA PART No.	
X1	2N1177	FM RF Amplifier	DS-25	GE-1	2N1177	PNP
X2	2N1179	FM Mixer	DS-25	GE-1	2N1179	PNP
X3	2N1178	FM Oscillator	DS-25	GE-1	2N1178	PNP
X4	2N1180	FM 1st IF Amplifier	DS-25	GE-1	2N1180	PNP
X5	2N1527	AM Converter	DS-25	GE-1	2N1527	PNP
X6	2N1180	2nd FM-1st AM IF Amp.	DS-25	GE-1	2N1180	PNP
X7	2N1180	3rd FM-2nd AM IF Amp.	DS-25	GE-1	2N1180	PNP
X8	2N405	AF Amplifier	DS-26	GE-2	2N406	PNP
X9	2N405	Driver	DS-26	GE-2	2N406	PNP
X10	2N407	Output	DS-26	GE-2	2N408	PNP
X11	2N407	Output	DS-26	GE-2	2N408	PNP

## ELECTROLYTIC CAPACITORS

ITEM No.	RATING		REPLACEMENT DATA						
	CAP.	VOLT.	ADMIRAL PART No.	AEROVOX PART No.	CORNELL-DUBILIER PART No.	GENERAL ELECTRIC PART No.	GENERAL INSTRUMENT PART No.	MALLORY PART No.	SPRAGUE PART No.
C1	100	10	67B35-9	PTT46	NLW100-10	MT1-19	MLV100-10	TT12X100	TE-1119.3
C2	10	6	67B35-7	PTT23	NLW10-6	MT1-5	MLV10-6	TT6X10	TE-1087
C3	10	6	67B35-7	PTT23	NLW10-6	MT1-5	MLV10-6	TT6X10	TE-1087
C4	4	9	67B35-16	PTT36	NLW4-15	MT1-3	BL1030	TT50X4	TE-1123
C5	10	6	67B35-7	PTT23	NLW10-6	MT1-5	MLV10-6	TT6X10	TE-1087
C6	500	3	67B35-23	PTT17	NLW450-3	MT1-26	TD-500-15	TC305	TE-1068

## FIXED CAPACITORS

ITEM No.	RATING	REMARKS	REPLACEMENT DATA						
			AEROVOX PART No.	CENTRALAB PART No.	CORNELL-DUBILIER PART No.	ELMENCO PART No.	MALLORY PART No.	SPRAGUE PART No.	
C10	2								
C11	2								
C12	5 NPO		NPO-DI 5.0	DTZ-4R7	C10V5C	CCTO-050	CNO-547		10TCC-V50
C13	5 NPO		NPO-DI 5.0	DTZ-4R7	C10V5C	CCTO-050	CNO-547		10TCC-V50
C14	.002		EF-001	MFT-1000		CCF-102	CT280A		
C15	5 NPO		NPO-DI 5.0	DTZ-4R7	C10V5C	CCTO-050	CNO-547		10TCC-V50
C16	5 NPO		NPO-DI 5.0	DTZ-4R7	C10V5C	CCTO-050	CNO-547		10TCC-V50
C17	5 NPO		NPO-DI 5.0	DTZ-4R7	C10V5C	CCTO-050	CNO-547		10TCC-V50
C18	2								
C19	.002		EF-001	MFT-1000		CCF-102	CT280A		
C20	47 N750		N750-DI 47	DTN-47	C10Q47U	CCTN-470	CN7-447		10TCU-Q47
C21	.002		EF-001	MFT-1000		CCF-102	CT280A		
C22	51 N750			TCN-51	C10Q51U				10TCU-Q50
C23	680		1469-00088	CPR-680J	5R5T68	CM-20B-681J	MCJ249		MS-368
C24	2								
C25	.002		EF-001	MFT-1000		CCF-102	CT280A		
C26	.002		EF-001	MFT-1000		CCF-102	CT280A		
C27	4 NPO		NPO-DI 4.7	DTZ-4R7	C10V4C	CCTO-4R7	CNO-547		10TCC-V39
C28	3.3 NPO		NPO-DI 3.3	DTZ-3R3	C10V33C	CCTO-3R3	CNO-533		10TCC-V33
C29	2.2 NPO		NPO-DI 2.2	DTZ-2R2	C10V22C	CCTO-2R2	CNO-522		10TCC-V22
C30	.002		EF-001	MFT-1000		CCF-102	CT280A		
C31	.002		EF-001	MFT-1000		CCF-102	CT280A		
C32	1-6			829-6		CV-3	CT552		
C33	.001		EF-001	MFT-1000		CCF-102	CT280A		
C34	.002		EF-001	MFT-1000		CCF-102	CT280A		
C35	.01		TTD-01	CK-103	H2		TA-110		TG-S10
C36	220		DI-220	DD-221	LA10T22	CCD-221	GP322		10TS-T22
C37	.02		TTD-02	CK-203	H3		TA-120		TG-S20
C38	3.3 NPO		NPO-DI 3.3	DTZ-3R3	C10V33C	CCTO-3R3	CNO-533		10TCC-V33
C39	.02		TTD-02	CK-203	H3		TA-120		TG-S20
C40	.001 5%		1469-001	CPR-1000J	5R5D1	CM-20B-102J	MCJ255		MS-31
C41	.02		TTD-02	CK-203	H3		TA-120		TG-S20
C42	.01		TTD-01	CK-103	H2		TA-110		TG-S10
C43	.001		EF-001	MFT-1000		CCF-102	CT280A		
C44	.02		TTD-02	CK-203	H3		TA-120		TG-S20
C45	3.3 NPO		NPO-DI 3.3	DTZ-3R3	C10V33C	CCTO-3R3	CNO-533		10TCC-V33
C46	5 NPO		NPO-DI 5.0	DTZ-4R7	C10V5C	CCTO-050	CNO-547		10TCC-V50
C47	.002 5%		1464-002	CPR-2000J	5R5D2	CM-20B-202J	MCE457		MS-22

# DESCRIPTION

## FIXED CAPACITORS (cont)

ITEM No.	RATING	REMARKS	REPLACEMENT DATA					
			AEROVOX PART No.	CENTRALAB PART No.	CORNELL-DUBILIER PART No.	ELMENCO PART No.	MALLORY PART No.	SPRAGUE PART No.
C48	.02		TTD-02	CK-203	H3		TA-120	TG-S20
C49	.001 5%		1469-001	CPR-1000J	5R5D1	CM-20B-102J	MC255	MS-21
C50	.001		EF-001	MFT-1000		CCF-102	CT280A	
C51	.0027 5%		1464-0027	CPR-2700J	1R5D27	CM-20B-272J	MCJ460.5	MS-227
C52	.02		TTD-02	CK-203	H3		TA-120	TG-S20
C53	2 NPO		NPO-DI 2.2	DTZ-2R2	C10V2C	CCTO-2R2	CNO-522	10TCC-V22
C54	300		DI-300	DD-301	LA10T3	CCD-301	GP330	10TS-T30
C55	300		DI-300	DD-301	LA10T3	CCD-301	GP330	10TS-T30
C56	300		DI-300	DD-301	LA10T3	CCD-301	GP330	10TS-T30
C57	.0047		DI-4700	DD-472	BYA10D47M	CCD-472	B-247	10TS-D47
C58	.02		TTD-02	CK-203	H3		TA-120	TG-S20
C59	.02		TTD-02	CK-203	H3		TA-120	TG-S20
C60	.001		EF-001	MFT-1000		CCF-102	CT280A	
C61	.001		EF-001	MFT-1000		CCF-102	CT280A	
C62	.02		TTD-02	CK-203	H3		TA-120	TG-S20
C63	.001			DM-102				
C64	.47mfd			UK10-404	HCC10474Z			HY-330
C65	.045		TTD-005	CK-502	H1		TA-250	TG-D50

## CONTROLS

All wattages 1/2 watt, or less, unless otherwise listed.

ITEM No.	USE	RESIST-ANCE	REPLACEMENT DATA					
			ADMIRAL PART No.	CENTRALAB PART No.	CLAROSTAT PART No.	CTS-IRC PART No.	MALLORY PART No.	
R1A	Tone	1meg 100K	75B87-1①	F1-1meg, R16-250K,				
B	Volume & Switch	Tap 200K		FFS009, RFS013, KR-1*				

① Alternate Part #75C87-3.

## COILS (RF-IF)

\* Use spacer to get 3/16" bushing length.

ITEM No.	USE	REPLACEMENT DATA					NOTES
		ADMIRAL PART No.	MERIT PART No.	MILLER PART No.	STANCOR PART No.	WORKMAN PART No.	
L1	FM Ant. ①						① Part of Tuner Part #53D7-1
L2	FM RF ①						
L3	RF Choke ①						
L4	FM Osc. ①						
L5	Choke ①						
L6	1st FM IF ①						
L7	Choke ①						
L8	Choke ①						
L9	2nd FM IF	72C240-1					
L10	AM Ant. Load	69C286-1					
L11	Loopstick	69C280-1					
L12	AM Osc.	69B223-6					
L13	1st AM IF	72C239-1					
L14	3rd FM IF	72C240-2					
L15	2nd AM IF	72C239-2					
L16	Ratio Det.	72C241-1					
L17	3rd AM IF	72C239-3					
L18	Choke ①						

## TRANSFORMER (DRIVER)

ITEM No.	TURNS RATIO		REPLACEMENT DATA					NOTES
			ADMIRAL PART No.	MERIT PART No.	STANCOR PART No.	THORDARSON PART No.	TRIAD PART No.	
	PRI.	SEC.						
T1	1.4	1	79C67-8					

## TRANSFORMER (AUDIO OUTPUT)

ITEM No.	IMPEDANCE		REPLACEMENT DATA					*NOTES
			ADMIRAL PART No.	MERIT PART No.	STANCOR PART No.	THORDARSON PART No.	TRIAD PART No.	
	PRI.	SEC.						
T2	400Ω CT	3-4Ω	79D33-50					

# PARTS LIST AND DESCRIPTION (CONTINUED)

## SPEAKER

ITEM No.	TYPE	REPLACEMENT DATA		NOTES
		ADMIRAL PART No.	QUAM PART No.	
SP1	4" x 6" PM 3-4Ω	78B186-1	46A1	

## BATTERIES

ITEM No.	VOLTAGE	ADMIRAL PART No.	REPLACEMENT DATA			NOTES
			BURGESS	EVEREADY	MALLORY	
M1	9V		130 (or AL-1)	635 (or E93)	M-14R (or MN1400)	6 Required

## MISCELLANEOUS

ITEM No.	PART NAME	ADMIRAL PART No.	NOTES
M2	Tuning Cap.	68B77-16	FM, 3 Gang (Part of FM Tuner) AM, 2 Gang (Part of FM Tuner)
M3	Tuning Cap.		
M4	FM AFC		
M5	FM AVC		
M6	Ratio Det. (1N542)		
M7	Ratio Det. (1N542)		
M8	AM Detector		
M9	Bias Reg. (1N2326)		
M10	Switch, Function		
M11	FM Tuner (Complete)		

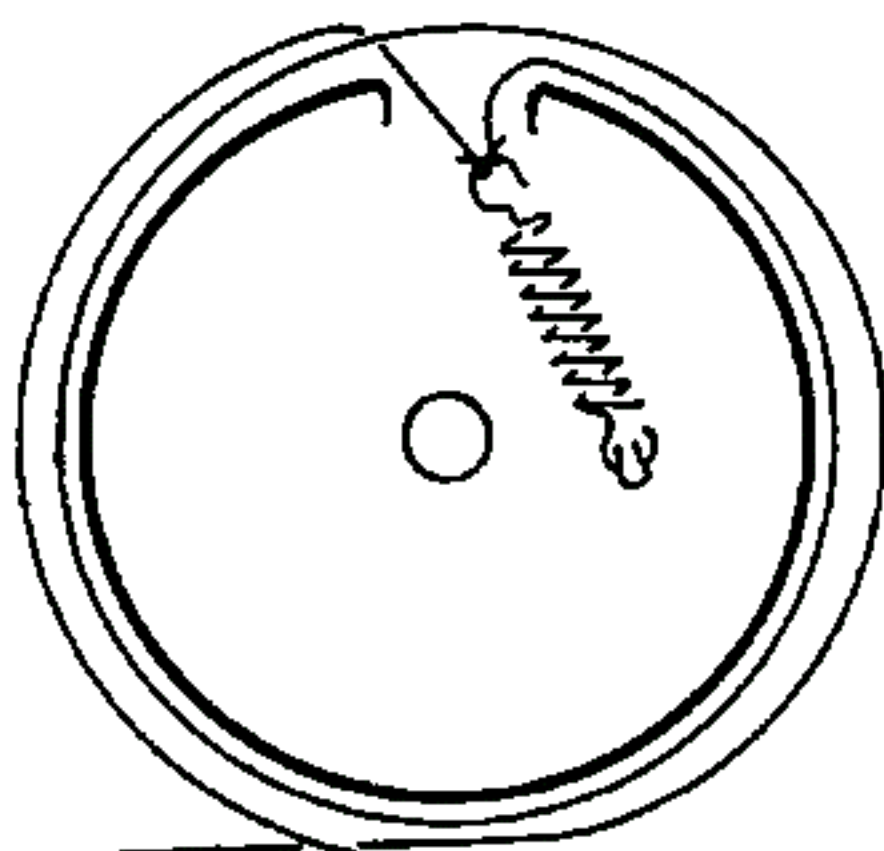
## CABINETS & CABINET PARTS

(When Ordering Specify Model, Chassis & Color)

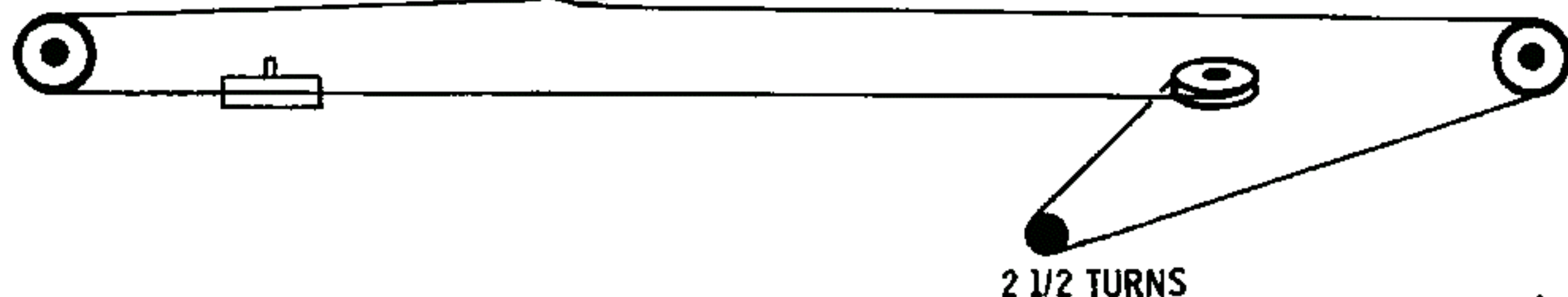
ITEM	PART No.	ITEM	PART No.
Knob (Tuning)	33D501-2	Cabinet (Front - Complete)	A9340
Knob (Volume & Function)	33D501-1	Cabinet (Back)	34E195-1
Knob (Tone)	33D501-3		

## WIRING DATA

General-use Unshielded Hook-up Wire ..... Use BELDEN No. 8530 (Solid 22AWG) Available in 12 Colors  
 8524 (Stranded 22AWG)  
 8570 (Stranded 26AWG)



### DIAL CORD STRINGING





FM RF SUBCHASSIS

