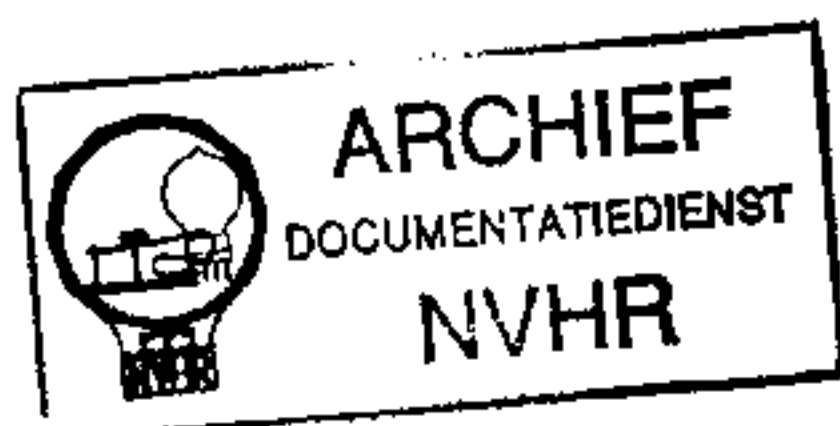


Met dank aan Jef Bos



Ned. Ver. v. Historie v/d Radio



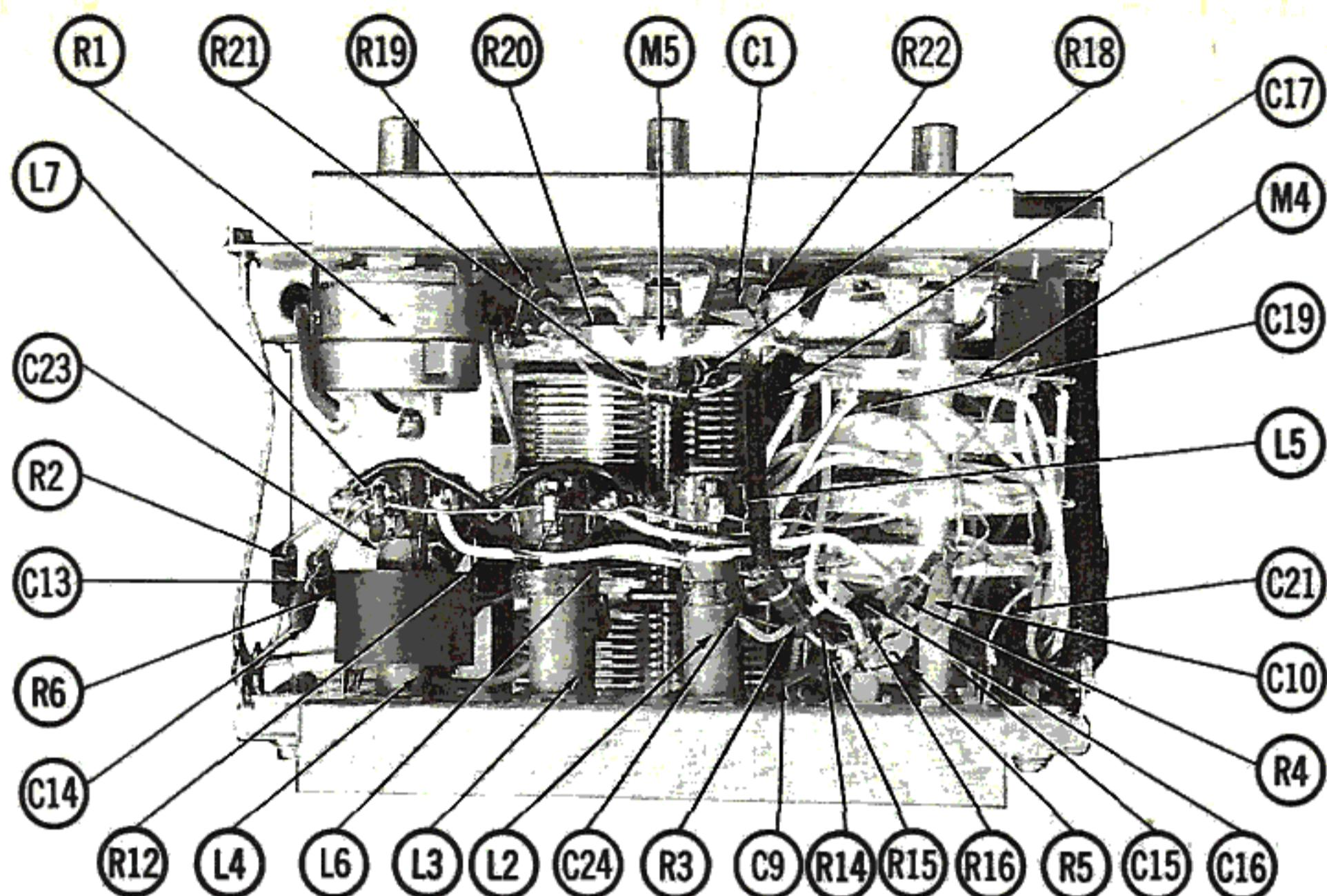
TRADE NAME	Admiral Model Y2137 (Ch. 8C2)		
MANUFACTURER	Admiral Sales Corp., National Service Div., 903 Morrissey Drive, Bloomington, Illinois		
TYPE SET	Battery Operated Transistorized BC-SW-LW Portable Receiver		
POWER SUPPLY	9 Volts DC	RATING	10MA @ 9 Volts DC (No Signal, Min. Volume) 20MA @ 9 Volts DC (Signal, Normal Volume)
TUNING RANGES—BROADCAST	535—1620KC	SHORT WAVE	1.9—5.2MC
		LONG WAVE	140—420KC

HOWARD W. SAMS & CO., INC. Indianapolis 6, Indiana

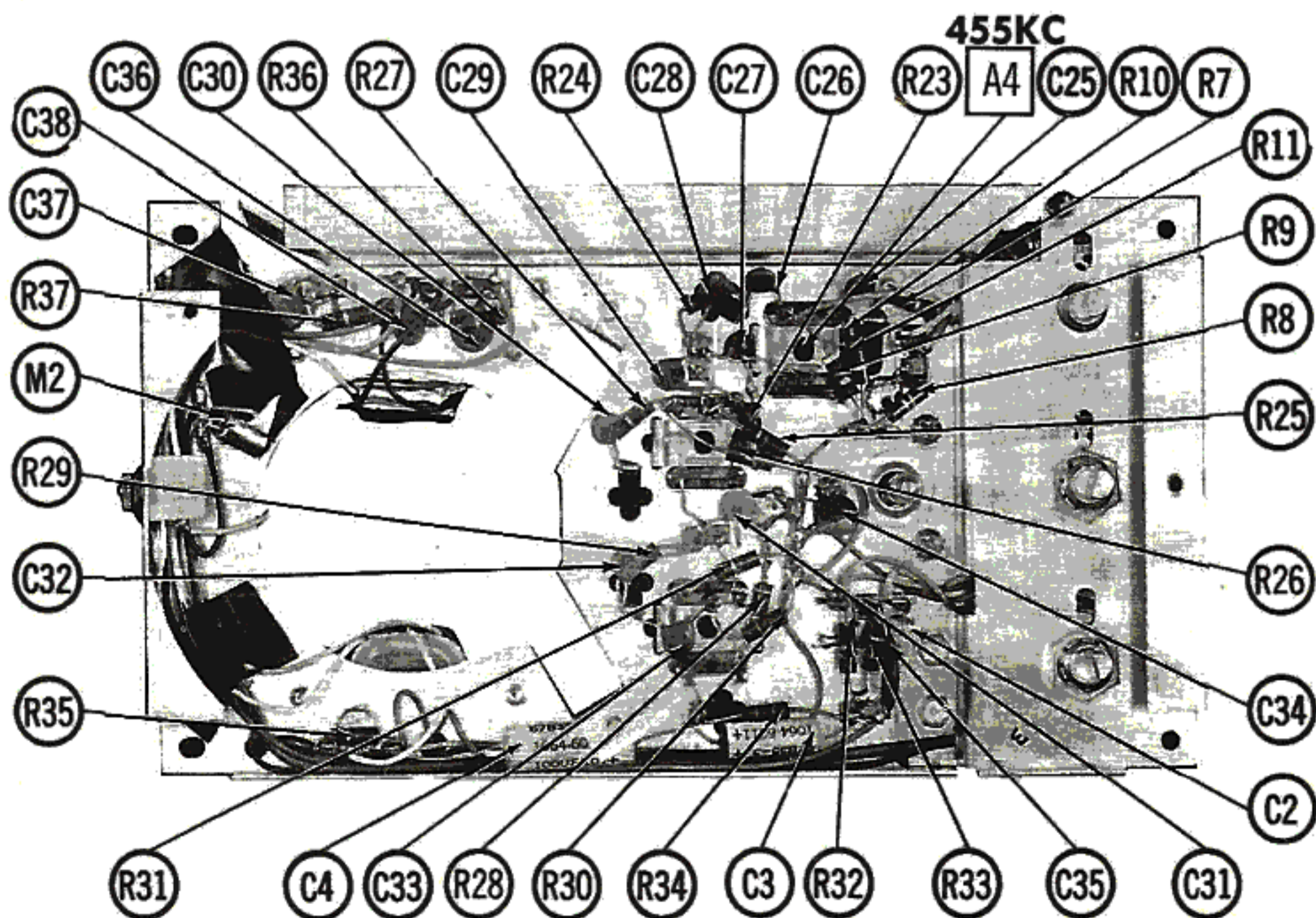
The listing of any available replacement part herein does not constitute in any case a recommendation, warranty or guaranty by Howard W. Sams & Co., Inc., as to the quality and suitability of such replacement part. The numbers of these parts have been compiled from information furnished to Howard W. Sams & Co., Inc., by the manufacturers of

the particular type of replacement part listed. Reproduction or use, without express permission, of editorial or pictorial content, in any manner, is prohibited. No patent liability is assumed with respect to the use of the information contained herein. © 1961 Howard W. Sams & Co., Inc., Indianapolis 6, Indiana. Printed in U.S. of America

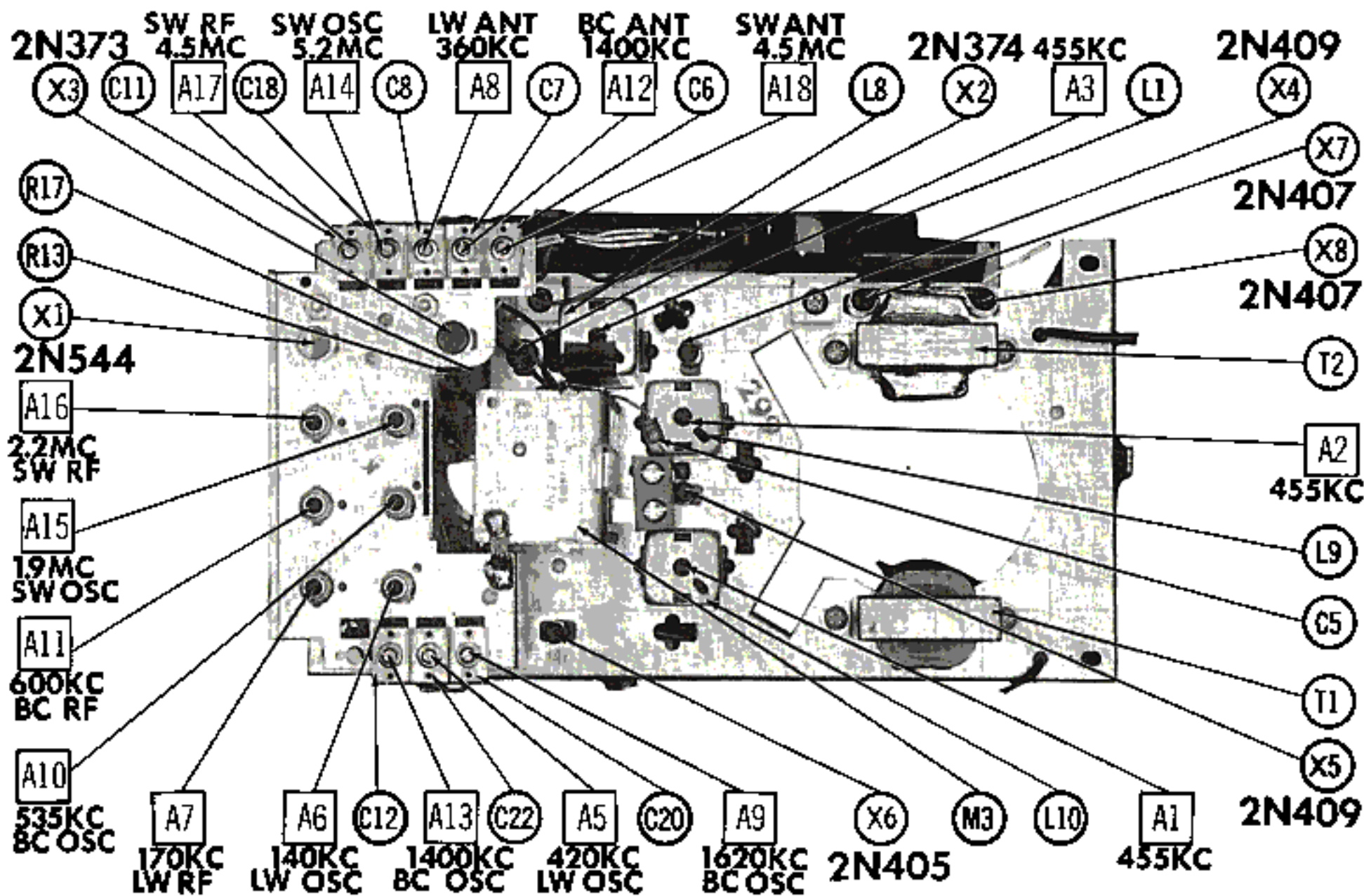




CHASSIS BOTTOM VIEW-RF SECTION



CHASSIS BOTTOM VIEW-IF AUDIO SECTION



CHASSIS-TOP VIEW

ALIGNMENT INSTRUCTIONS

ALIGNMENT INSTRUCTIONS—READ CAREFULLY BEFORE ATTEMPTING ALIGNMENT

Volume control should be at maximum position. Output of signal generator should be no higher than necessary to obtain an output reading.

Suggested Alignment Tools:

A1 thru A4.....	GENERAL CEMENT #5097, 8727 WALSCO #2515
A5, A8, A9, A12, A13, A14, A17, A18.....	GENERAL CEMENT #5000, 5003, 5066, 8276, 8290, 9087, 9089 WALSCO #2512, 2525, 2528
A6, A7, A10, A11, A15, A16.....	GENERAL CEMENT #8282, 8606, 8606-L, 9295, 9440 WALSCO #2526, 2543, 2544, 2545

	SIGNAL GENERATOR COUPLING	SIGNAL GENERATOR FREQUENCY	RADIO DIAL SETTING	OUTPUT METER	ADJUST	REMARKS
1.	High side thru .01mfd to Emitter of Mixer. Low side to common.	455KC (400% Mod.)	(BC) Tuning gang fully open.	Across voice coll.	A1, A2, A3, A4	Adjust for maximum output.
2.	Fashion loop of several turns of wire and radiate signal into loop of receiver.	420KC	(LW) Tuning gang fully open.	"	A5	"
3.	"	140KC	Tuning gang fully closed.	"	A6	"
4.	"	170KC	170KC	"	A7	"
5.	"	360KC	360KC	"	A8	"
6.	"	1620KC	(BC) Tuning gang fully open.	"	A9	"
7.	"	595KC	Tuning gang fully closed.	"	A10	"
8.	"	600KC	600KC	"	A11	"
9.	"	1400KC	1400KC	"	A12, A13	Adjust for maximum output while rocking tuning gang.
10.	"	5.2MC	(SW) Tuning gang fully open.	"	A14	Adjust for maximum output.
11.	"	1.9MC	1.9MC	"	A15	"
12.	"	2.2MC	2.2MC	"	A16	"
13.	"	4.5MC	4.5MC	"	A17, A18	Adjust for maximum output. Repeat Steps 2 thru 13.

TRANSISTORS

ITEM No.	ORIG. TYPE	USE	REPLACEMENT DATA		NOTES
			RCA PART No.	RAYTHEON PART No.	
X1	2N544	RF Amplifier	2N544		PNP
X2	2N1631*	RF Amplifier			
X2	2N374	Mixer	2N374		PNP
X3	2N1527*	Mixer			
X3	2N373	Oscillator	2N373		PNP
X4	2N1633*	Oscillator			
X4	2N409	1st IF Amplifier	2N410	2N483	PNP
X5	2N1525*	1st IF Amplifier			
X5	2N409	2nd IF Amplifier	2N410	2N483	PNP
X5	2N1525*	2nd IF Amplifier			
X6	2N405	Driver	2N406	2N631	PNP
X7	2N407	Output	2N217	2N631	PNP
X8	2N407	Output	2N217	2N631	PNP

* Type used in Run 12.

ELECTROLYTIC CAPACITORS

ITEM No.	RATING		REPLACEMENT DATA						
	CAP.	VOLT.	ADMIRAL PART No.	AEROVOX PART No.	CORNELL-DUBILIER PART No.	GENERAL ELECTRIC PART No.	MALLORY PART No.	PYRAMID PART No.	SPRAGUE PART No.
C1	25	3	67B35-8	PTT9	NLW25-3	MT1-10	TT3X25	MLV25-3	TE-1055
C2	10	3	67B35-8	PTT6	NLW10-6	MT1-5	TT3X10	MLV10-3	TE-1053
C3	90	3	67B35-3	PTT13	NLW100-3	MT1-18	TT6X100	MLV100-3	TE-1059.5
C4	100	10	67B35-9	PTT46	NLW100-12	MT1-18	TT15X100	MLV100-10	TE-1119.3

FIXED CAPACITORS

Capacity values given in the rating column are in mfd. for Paper Capacitors, and in mmfd. for Mica and Ceramic Capacitors.

ITEM No.	RATING	REMARKS	REPLACEMENT DATA					
			AEROVOX PART No.	CENTRALAB PART No.	CORNELL-DUBILIER PART No.	ELMENCO PART No.	MALLORY PART No.	SPRAGUE PART No.
C5	2.7 10%		NPO-SI 3.0		C10V3C			10TCC-V27
C6	8-60	#66A7-9				404		
C7	3-35	#66A7-6				403		
C8	3-35	#66A7-6				403		
C9	.01		BPD-01	DDM-103	H-05S1	CCD-103	TA-110	TG-S10
C10	.47mfd 3V			UK-474				HY-130
C11	1.5-20	#66A7-5				402		
C12	.9-7	#66A7-4				400		
C13	.05 10V		C80V503AM	UK10-503	H-05S5		TA-150	TG-S50
C14	.05 10V		C80V503AM	UK10-503	H-05S5		TA-150	TG-S50
C15	.05 10V		C80V503AM	UK10-503	H-05S5		TA-150	TG-S50
C16	.47 3V			UK-474				HY-130
C17	.0012 5%		1464-0012		5R5D12	CM-19B-122J	MCJ455	MS-212
C18	.9-7	#66A7-4				400		
C19	250 5%		1469-00025		22R5T25	CM-19B-251J	MCE240	MS-325
C20	1.5-20	#66A7-5				402		
C21	100 5%		1469-0001	TCZ-100	22R5T1	CM-19B-101J	MCE235	MS-31
C22	3-35	#66A7-6				403		
C23	.05 10V		C80V503AM	UK10-503	H-05S5		TA-150	TG-S50
C24	.05 10V		C80V503AM	UK10-503	H-05S5		TA-150	TG-S50
C25	.05 10V		C80V503AM	UK10-503	H-05S5		TA-150	TG-S50
C26	.05 10V		C80V503AM	UK10-503	H-05S5		TA-150	TG-S50
C27	3.6 NPO 5%	Note 1	NPO-DI 3.3	DTZ-3R3	C10V33C	CCTO-3R3	CNO-533	10TCC-V33
C28	.05 10V		C80V503AM	UK10-503	H-05S5		TA-150	TG-S50
C29	.05 10V		C80V503AM	UK10-503	H-05S5		TA-150	TG-S50
C30	.05 10V		C80V503AM	UK10-503	H-05S5		TA-150	TG-S50
C31	4.7 NPO 5%	Note 1	NPO-DI 4.7	DTZ-4R7	C10V47C	CCTO-4R7	CNO-547	10TCC-V47
C32	.05 10V		C80V503AM	UK10-503	H-05S5		TA-150	TG-S50
C33	.05 10V		C80V503AM	UK10-503	H-05S5		TA-150	TG-S50
C34	.01 50V		BPD-01	DD-103	H-05S1	CCD-103	TA-110	TG-S10
C35	.02	Note 2	BPD-02	DD-203	BYB6S2	CCD-203	B-120	5HK-S20
C36	.002 10V		BPD-002	DD-202	BYA10D2	CCD-202	B-220	5HK-D20
C37	.002 10V		BPD-002	DD-202	BYA10D2	CCD-202	B-220	5HK-D20
C38	.05 10V		C80V503AM	UK10-503	H-05S5		TA-150	TG-S50

Note 1. Not used in Run 12 Versions.

Note 2. Some versions may use .05mfd in this application.

Admiral Part Number.

DESCRIPTIONS

CONTROLS

ITEM No.	RATING		REPLACEMENT DATA					INSTALLATION NOTES
	RESISTANCE	WATTS	ADMIRAL PART No.	CENTRALAM PART No.	CLAROSTAT PART No.	CTS-IRC PART No.	MALLORY PART No.	
RIA B C	2500Ω Shaft Switch	$\frac{1}{2}$	75D1-129	B-702 Not Req. KR-1	A47-2500-S FS-3 SWE-12	Q13-111 Not Req. 76-1	U8 Not Req. US-26	Volume Power Off-On

RESISTORS

All wattages 1/2 watt, or less, unless otherwise listed.

ITEM No.	RATING	REPLACEMENT DATA			ITEM No.	RATING	REPLACEMENT DATA		
		IRC PART No.	WORKMAN TV PART No.	REMARKS			IRC PART No.	WORKMAN TV PART No.	REMARKS
R2	1000Ω				R20	22K			
R3	1000Ω				R21	2700Ω			
R4	220Ω				R22	56K			
R5	1000Ω				R23	5600Ω			
R6	470Ω				R24	330Ω			
R7	2200Ω				R25	220Ω			
R8	22K				R26	16K 5%			
R9	91K 5%				R27	3300Ω			
R10	56K				R28	9100Ω 5%			
R11	1000Ω				R29	1000Ω			
R12	470Ω				R30	220Ω			
R13	82K				R31	2200Ω			
R14	10K				R32	27K			
R15	470Ω				R33	5600Ω			
R16	200Ω 5%				R34	560Ω			
R17	120Ω				R35	100Ω			
R18	100K				R36	10Ω			
R19	2700Ω				R37	10Ω			

COILS (RF-IF)

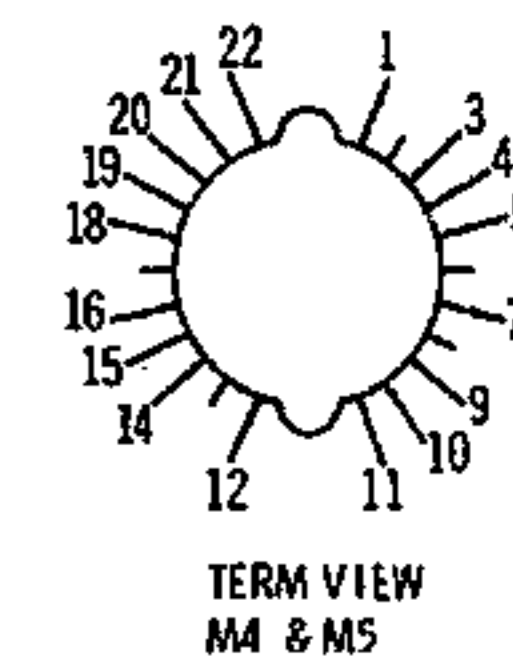
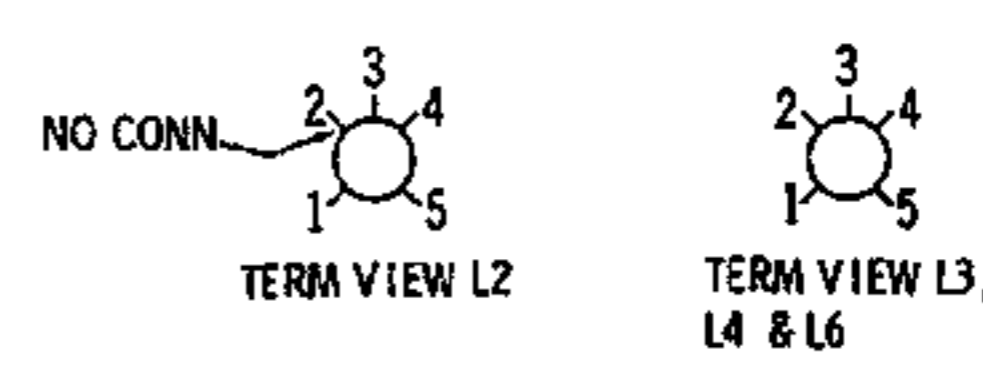
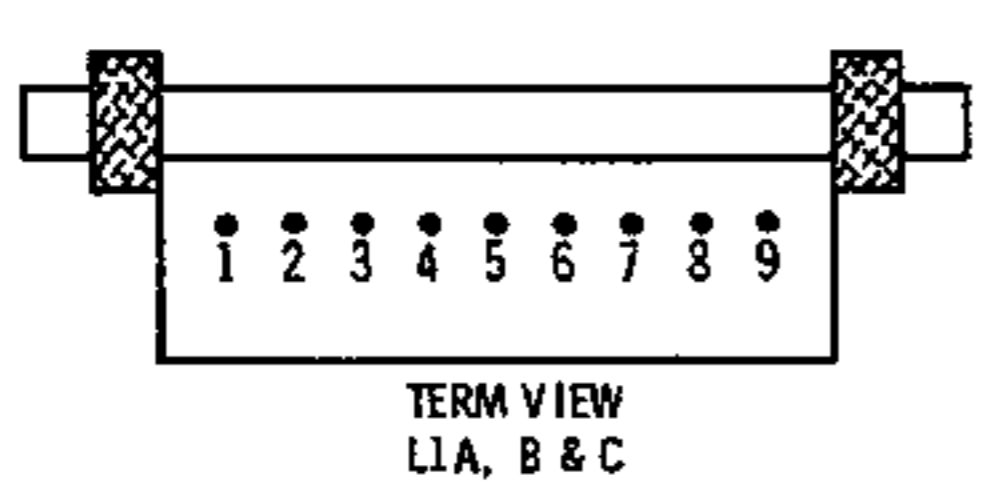
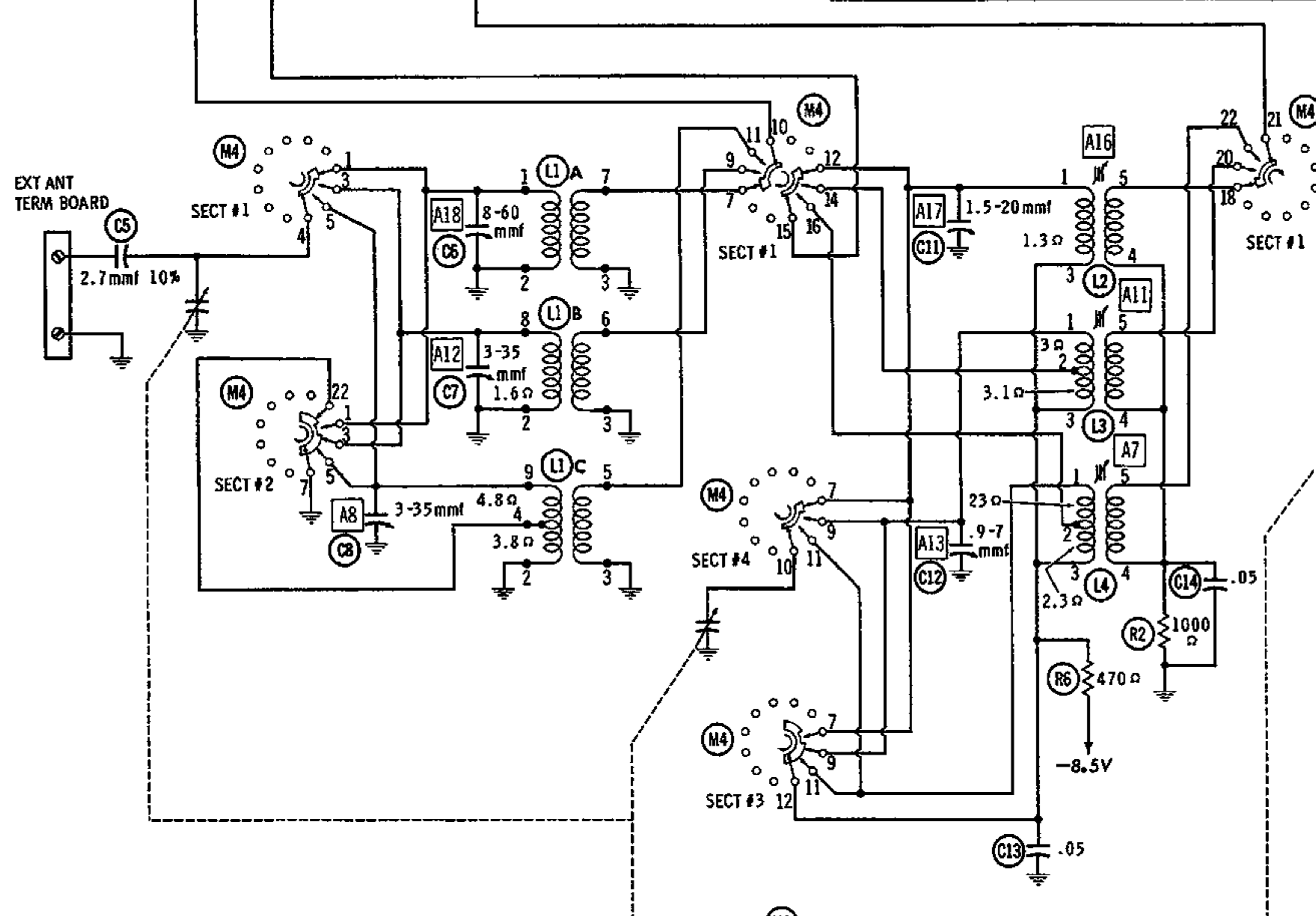
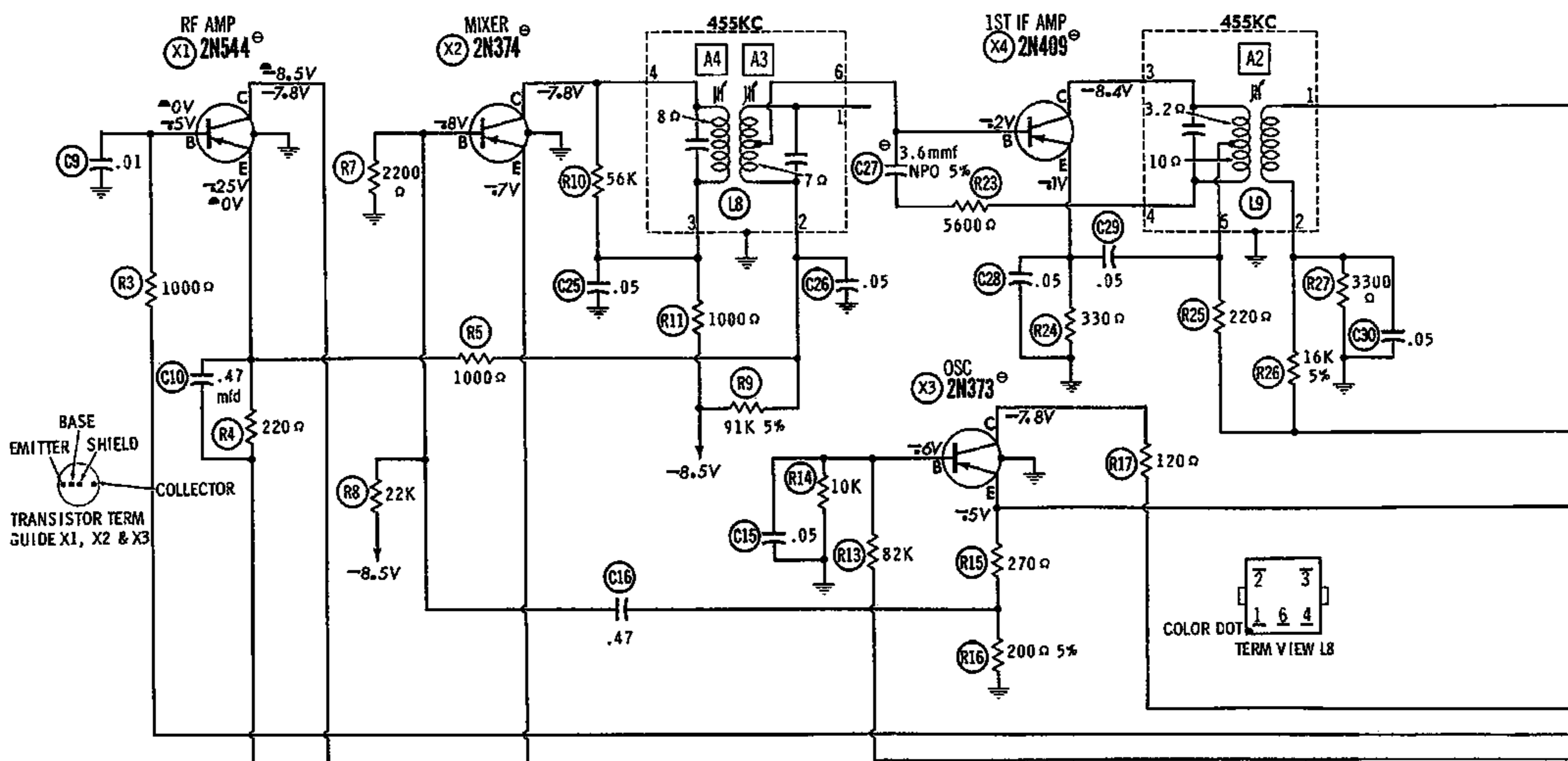
ITEM No.	USE	REPLACEMENT DATA					NOTES
		ADMIRAL PART No.	Merit PART No.	Miller PART No.	Stancor PART No.	Workman TV PART No.	
L1A B C	SW Loopstick BC Loopstick LW Loopstick	69C261-1 ①					① Includes Complete Ass'y
L2	SW RF	69C253-3					
L3	BC RF	69C253-2					
L4	LW RF	69C253-1					
L5	SW Osc.	69C253-6					
L6	BC Osc.	69C253-5					
L7	LW Osc.	69C253-4					
L8	1st IF	72C189-7					
L9	2nd IF	72C190-11					
L10	3rd IF	72C190-12					

TRANSFORMER (DRIVER)

ITEM No.	TURNS RATIO		REPLACEMENT DATA					NOTES
	PRI.	SEC.	ADMIRAL PART No.	Merit PART No.	Stancor PART No.	Thordarson PART No.	Triad PART No.	
T1	1	1	79B67-4					

TRANSFORMER (AUDIO OUTPUT)

ITEM No.	IMPEDANCE		REPLACEMENT DATA					NOTES
	PRI.	SEC.	ADMIRAL PART No.	Merit PART No.	Stancor PART No.	Thordarson PART No.	Triad PART No.	
T2	500Ω CT	3-4Ω	79D33-30		TA-42 ①	TR-114 ①		① Drill New Mounting Hole(s).



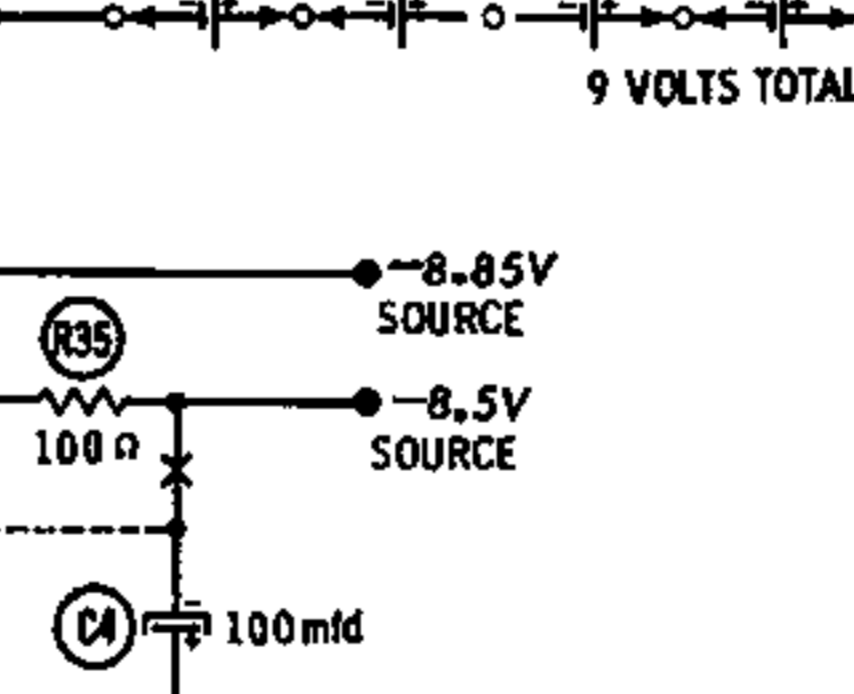
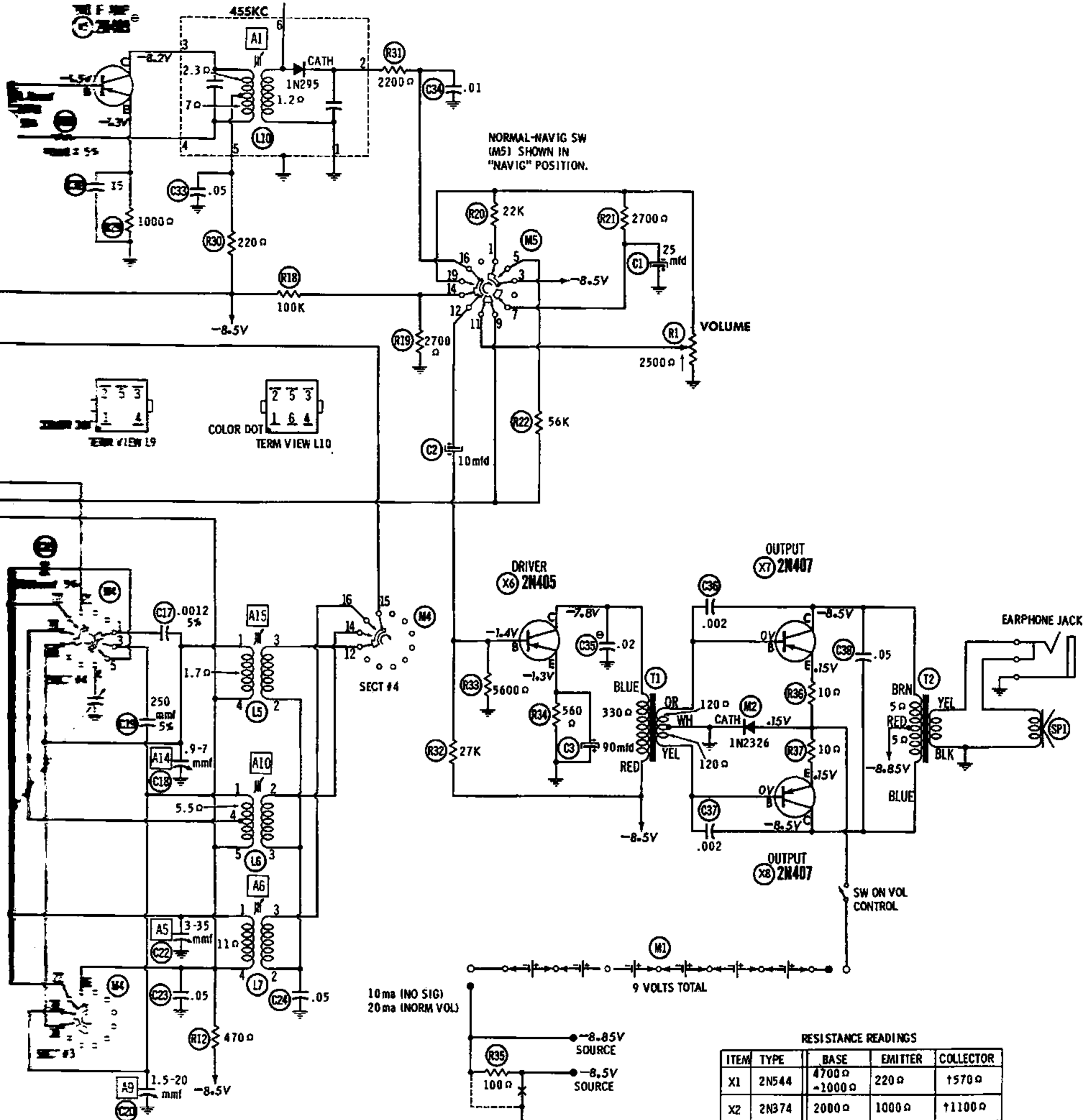
SEE PARTS LIST FOR ALTERNATE VALUE OR APPLICATION

DC COIL RESISTANCE VALUES UNDER ONE OHM NOT SHOWN ON SCHEMATIC DIAGRAM

ARROWS ON CONTROLS INDICATE CLOCKWISE ROTATION (CONTROL VIEWED FROM SHAFT END)

1. DC voltage measurements taken with vacuum tube voltmeter.
2. Socket connections or transistor terminals are shown as bottom views.
3. Measured values are from socket pin or terminal to common ground.
4. Nominal tolerance on component values makes possible a variation of $\pm 15\%$ in voltage and resistance readings.
5. Volume control at maximum, no signal applied for voltage measurements.

NUMBERS ASSIGNED TO COILS, SWITCHES, PLUGS, SOCKETS, AND TRANSFORMERS ARE TO FACILITATE CIRCUIT TRACING OR COMPONENT REPLACEMENT AND MAY NOT NECESSARILY BE FOUND ON THE UNIT.



RESISTANCE READINGS

ITEM	TYPE	BASE	EMITTER	COLLECTOR
X1	2N544	4700 Ω ~1000 Ω	220 Ω	†570 Ω
X2	2N374	2000 Ω	1000 Ω	†1100 Ω
X3	2N373	9000 Ω	470 Ω	†690 Ω
X4	2N409	1200 Ω	330 Ω	†320 Ω
X5	2N409	3000 Ω	1000 Ω	†320 Ω
X6	2N405	5100 Ω	560 Ω	†430 Ω
X7	2N407	120 Ω	22K	†5 Ω
X8	2N407	120 Ω	22K	†5 Ω

TRANSISTORS REMOVED FOR RESISTANCE MEASUREMENTS.
 ALL MEASUREMENTS MADE IN "BC NORMAL" POSITION
 UNLESS OTHERWISE DESIGNATED.
 † MEASURED IN "NAVIG" POSITION.
 † MEASURED FROM NEGATIVE BATTERY CONNECTOR.