

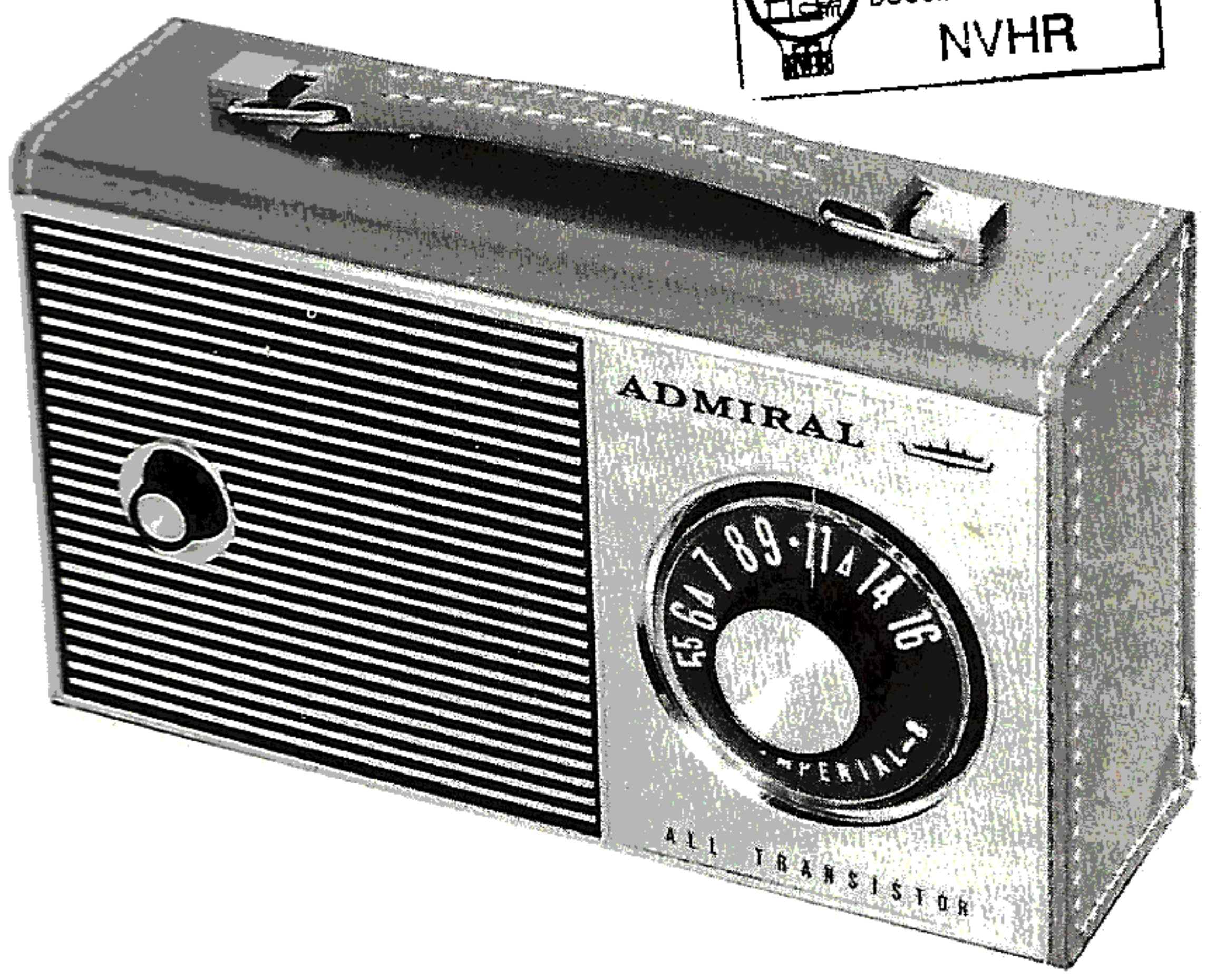
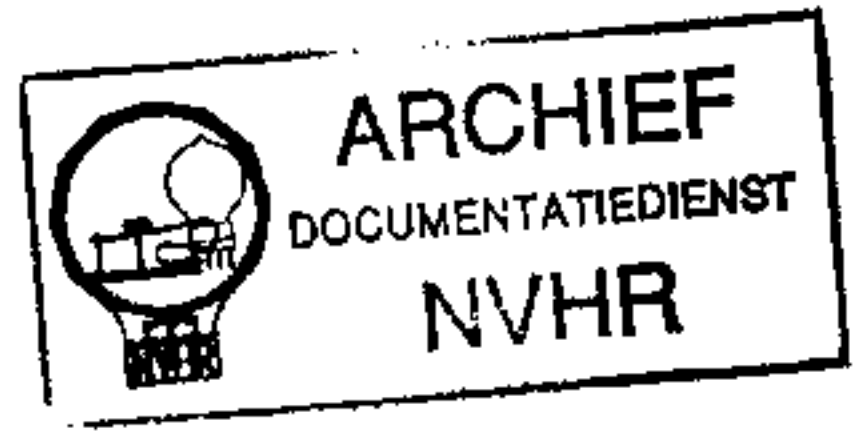
PHOTOFACT[®] Folder

with **CIRCUITRACE[™]**

ADMIRAL MODEL Y2127 (Ch. 8D2)

Ned. Ver. v. Historie v/d Radio

met dank aan Jef Bos



MODEL NAME	Admiral Model Y2127 (CH. 8D2) RUNS 11 and 12		
MANUFACTURER	Admiral Sales Corp., National Service Div., 903 Morrissey Drive, P.O. Box 845, Bloomington, Ill.		
TYPE	Battery Operated Transistorized Portable AM Receiver		
BATTERY REQUIREMENT	3 Volts DC	RATING	10MA @ 6 Volts DC (No Signal, Min. Volume)
TUNING RANGE—BROADCAST	535 - 1620KC		30MA @ 6 Volts DC (Signal, Normal Volume)

ALIGNMENT INSTRUCTIONS

ALIGNMENT INSTRUCTIONS—READ CAREFULLY BEFORE ATTEMPTING ALIGNMENT

Output of signal generator should be no higher than necessary to obtain an S9 signal.

Alignment Tools:

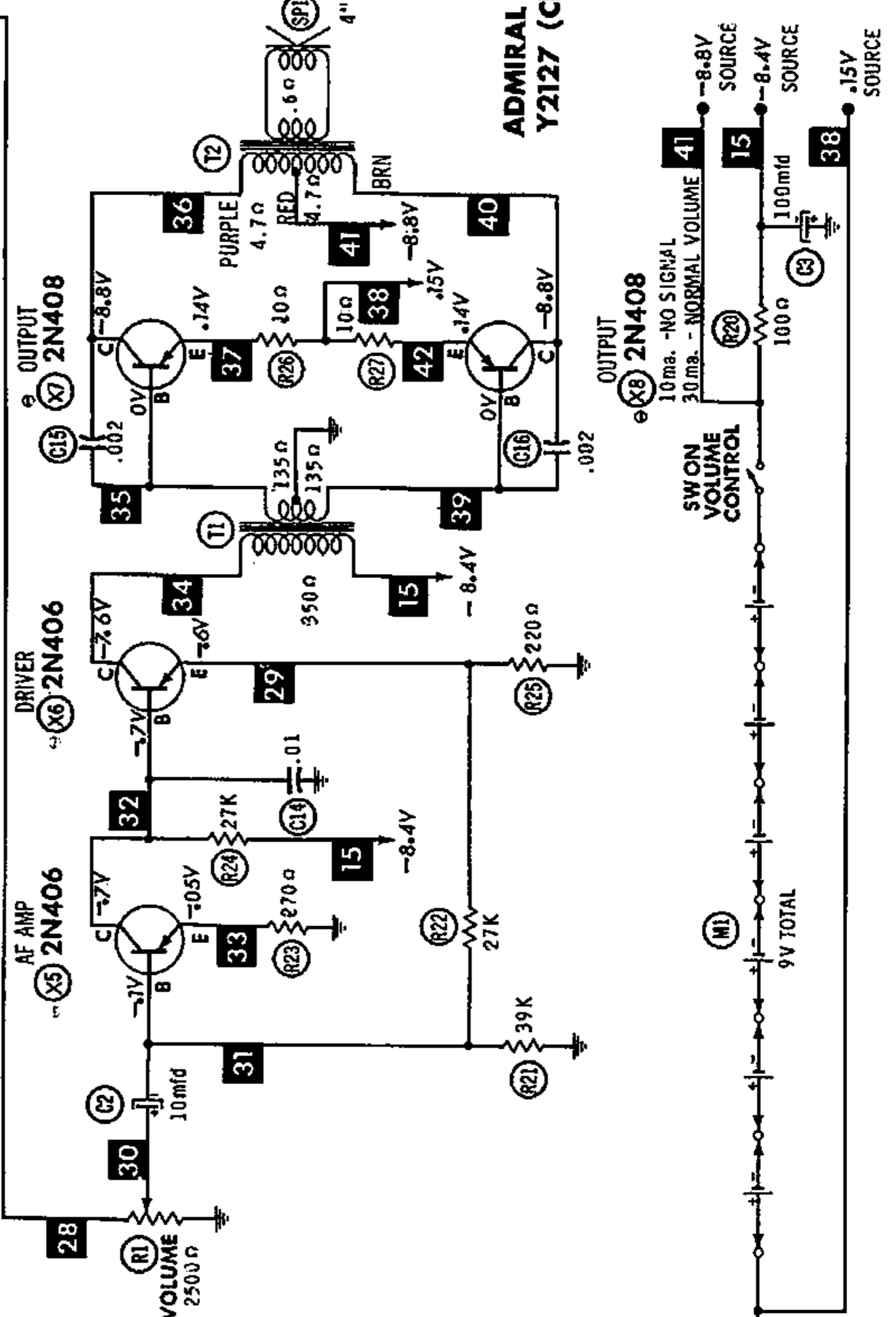
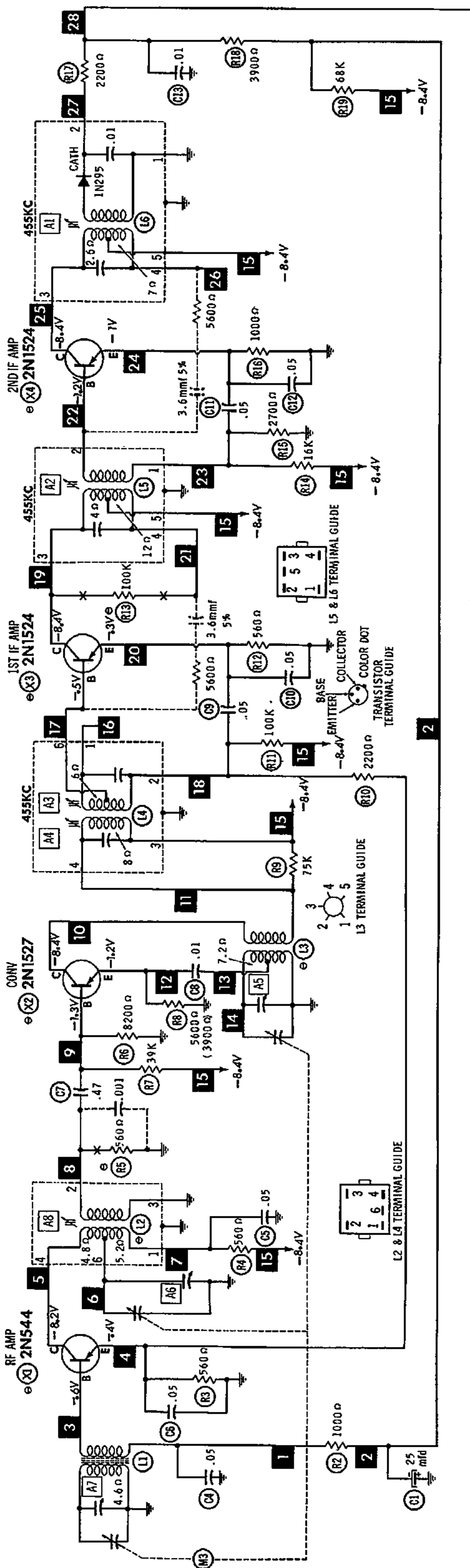
- 1. Signal Generator..... GENERAL CEMENT #5097, 8727
WALSCO #2515
- 2. Audio Oscillator..... GENERAL CEMENT #5004, 5009, 8195, 8274, 8275, 8607, 8728, 8987, 8988, 8989, 9291
WALSCO #2515, 2520, 2522, 2523, 2531, 2532, 2534, 2537, 2538
- 3. Frequency Counter..... GENERAL CEMENT #9440

SIGNAL GENERATOR FREQUENCY	RADIO DIAL SETTING	OUTPUT METER	ADJUST	REMARKS
455KC (400% Mod.)	Tuning gang fully open.	Across voice coil.	A1, A2, A3, A4	Adjust for maximum undistorted output.
1620KC	"	"	A5	Adjust for maximum output.
1400KC	1400KC	"	A6, A7	Adjust for maximum output while rocking tuning gang.
600KC	600KC Signal.	"	A8	Adjust for maximum output Repeat step 2, 3 and 4.

HOWARD W. SAMS & CO., INC. Indianapolis 6, Indiana

If any available replacement part herein does not meet the requirements of any case a recommendation, warranty or liability of Howard W. Sams & Co., Inc., as to the quality of such replacement part. The numbers of parts herein have been compiled from information furnished by the manufacturers of

the particular type of replacement part listed. Reproduction or use, without express permission, of editorial or pictorial content, in any manner, is prohibited. No patent liability is assumed with respect to the use of the information contained herein. ©1962 Howard W. Sams & Co., Inc., Indianapolis 6, Indiana. Printed in U.S. of America



**ADMIRAL MODEL
Y2127 (Ch. 8D2)**

⊕ SEE PARTS LIST FOR ALTERNATE VALUE OR APPLICATION

DC COIL RESISTANCE VALUES UNDER ONE OHM NOT SHOWN ON SCHEMATIC DIAGRAM

NUMBERS ASSIGNED TO COILS, SWITCHES, PLUGS, SOCKETS, AND TRANSFORMERS ARE TO FACILITATE CIRCUIT TRACING OR COMPONENT REPLACEMENT AND MAY NOT NECESSARILY BE FOUND ON THE UNIT.

1. DC voltage measurements taken with vacuum tube voltmeter.
2. Socket connections or transistor terminals are shown as bottom views.
3. Measured values are from socket pin or terminal to common ground.
4. Nominal tolerance on component values makes possible a variation of ±15% in voltage and resistance readings.
5. Volume control at maximum, no signal applied for voltage measurements.

RESISTANCE MEASUREMENTS NOT GIVEN BECAUSE OF THE WIDE VARIATION IN INTERNAL TRANSISTOR RESISTANCE

A PHOTOFACIT STANDARD NOTATION SCHEMATIC
with **CIRCUITRACE**

© Howard W. Sams & Co., Inc. 1962

PARTS LIST AND DESCRIPTIONS

TRANSISTORS

ITEM No.	PART TYPE	USE	REPLACEMENT DATA		NOTES
			ADMIRAL PART No.	REPLACEMENT PART No.	
X1	2N1644	IF Amplifier	2N1644		PNP
X2	2N1658*	IF Amplifier			PNP
	2N1657	Converter	2N1657		PNP
X3	2N411*	1st IF Amplifier			PNP
	2N1624		2N1624		
X4	2N410*	2nd IF Amplifier			PNP
	2N1624		2N1624		
X5	2N408	AF Amplifier	2N408	2N302	PNP
X6	2N408	Driver	2N408	2N302	PNP
X7	2N408	Output	2N408	2N693	PNP
X8	2N408	Output	2N408	2N693	PNP - Matched Pair

ELECTROLYTIC CAPACITORS

ITEM No.	RATING		REPLACEMENT DATA						
	CAP.	VOLT.	ADMIRAL PART No.	AEROVOX PART No.	CORNELL-DUBILIER PART No.	GENERAL ELECTRIC PART No.	MALLORY PART No.	PYRAMID PART No.	SPRAGUE PART No.
C1	25	3	87B32-13	BCD3025	ECPB411	MT1-10	PET130	MLV25-3	VL-1041
C2	10	3	87B35-6	PTT6	NLW10-6	MT1-5	TT3X10	MLV10-3	TE-1053
C3	100	12	87B32-6	BCD12100	ECPB417	MT1-19	PET1500	MLV100-12	VL-1140

FIXED CAPACITORS

ITEM No.	RATING	REMARKS	REPLACEMENT DATA					
			AEROVOX PART No.	CENTRALAB PART No.	CORNELL-DUBILIER PART No.	ELMENCO PART No.	MALLORY PART No.	SPRAGUE PART No.
C4	.05 10V		BPD-05	DA-503	H-05S5		TA-150	TG-S50
C5	.05 10V		BPD-05	DA-503	H-05S5		TA-150	TG-S50
C6	.05 10V		BPD-05	DA-503	H-05S5		TA-150	TG-S50
C7	.47 3V			UK10-474				
C8	.01 50V		BPD-01	DM-103	H-05S1	CCD-103	TA-110	TG-S10
C9	.05 10V		BPD-05	DA-503	H-05S5		TA-150	TG-S50
C10	.05 10V		BPD-05	DA-503	H-05S5		TA-150	TG-S50
C11	.05 10V		BPD-05	DA-503	H-05S5		TA-150	TG-S50
C12	.05 10V		BPD-05	DA-503	H-05S5		TA-150	TG-S50
C13	.01 50V		BPD-01	DM-103	H-05S1	CCD-103	TA-110	TG-S10
C14	.01 50V		BPD-01	DM-103	H-05S1	CCD-103	TA-110	TG-S10
C15	.002 100V		BPD-002	DM-202	BYA10D2	CCD-202	GP220	5HK-D20
C16	.002 100V		BPD-002	DM-202	BYA10D2	CCD-202	GP220	5HK-D20

CONTROLS

All wattages 1/2 watt, or less, unless otherwise listed.

ITEM No.	USE	RESISTANCE	REPLACEMENT DATA				
			ADMIRAL PART No.	CENTRALAB PART No.	CLAROSTAT PART No.	CTS-IRC PART No.	MALLORY PART No.
R1	Volume & Switch	2500Ω	75B36-4				

RESISTORS

All wattages 1/2 watt, or less, unless otherwise listed.

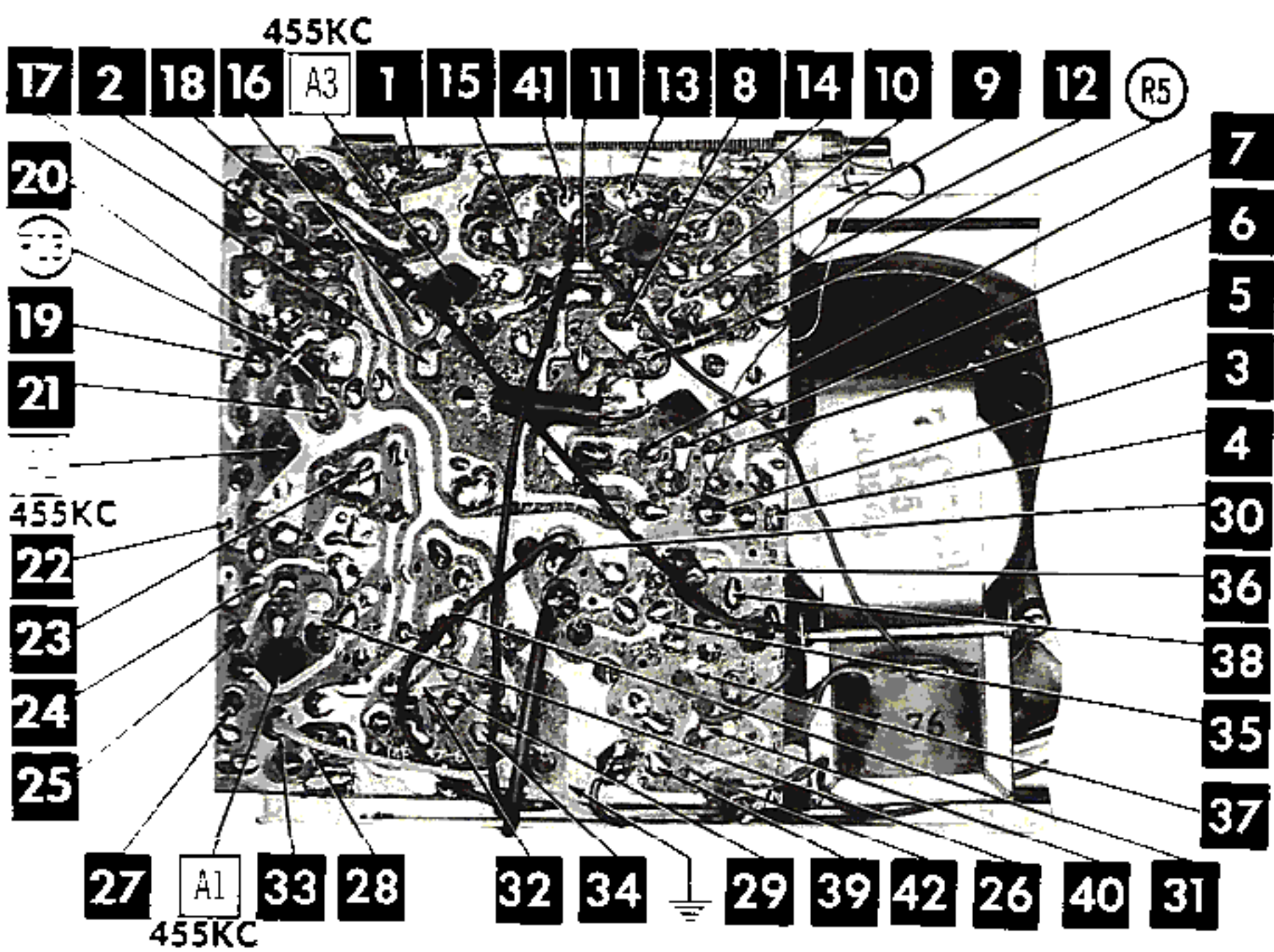
ITEM No.	RATING	REPLACEMENT DATA			ITEM No.	RATING	REPLACEMENT DATA		
		IRC PART No.	WORKMAN TV PART No.	REMARKS			IRC PART No.	WORKMAN TV PART No.	REMARKS
R2	1000Ω				R15	2700Ω			
R3	560Ω				R16	1000Ω			
R4	560Ω				R17	2200Ω			
R5	560Ω			Note 1	R18	3900Ω			
R6	8200Ω				R19	68K			
R7	39K				R20	100Ω			
R8	5600Ω			(3900Ω)*	R21	39K			
R9	75K				R22	27K			
R10	2200Ω				R23	270Ω			
R11	100K				R24	27K			
R12	560Ω				R25	220Ω			
R13	100K			Note 1	R26	10Ω			
R14	16K				R27	10Ω			

* Alternate Value.

Note 1. Not used in some versions.

PRINTED BOARD

A Howard W. Benson P. 10-31(Rev. 4) Photo



PARTS LIST AND DESCRIPTIONS (Continued)

COILS (RF-IF)

ITEM No.	USE	REPLACEMENT DATA					NOTES
		ADMIRAL PART No.	Merit PART No.	Miller PART No.	Stancor PART No.	Workman TV PART No.	
L1 L2 L3 L4 L5 L6	Loopstick RF Osc. 1st IF 2nd IF 3rd IF	69B235-4 69B247-2 ① 69A223-5 ② 72C189-3 72C190-1 72C190-10					T681 ① Alternate Part #69C247-2 ② Alternate Part #69B223-5

TRANSFORMER (DRIVER)

ITEM No.	TURNS RATIO		REPLACEMENT DATA					NOTES
			ADMIRAL PART No.	Merit PART No.	Stancor PART No.	Thordarson PART No.	Triad PART No.	
	PRI.	SEC.						
T1	1	1	79B76-3					

TRANSFORMER (AUDIO OUTPUT)

ITEM No.	IMPEDANCE		REPLACEMENT DATA					NOTES
	PRI.	SEC.	ADMIRAL PART No.	Merit PART No.	Stancor PART No.	Thordarson PART No.	Triad PART No.	
T2	120Ω CT	3-4Ω	79D33-32					

SPEAKER

ITEM No.	TYPE			REPLACEMENT DATA		NOTES
	SIZE	FIELD	V. C. IMP.	ADMIRAL PART No.	QUAM PART No.	
SP1	4"	PM	3-4Ω	78C156-3	4A1	

BATTERIES

ITEM No.	VOLTAGE	ADMIRAL PART No.	REPLACEMENT DATA						NOTES
			BURGESS		EVEREADY		MALLORY		
			"A"	"B"	"A"	"B"	"A"	"B"	
M1	1½V			130*		635*		M-14R*	* 6 Required

SIGNAL DIODES

ITEM No.	ORIG. TYPE	REPLACEMENT DATA			NOTES
		ADMIRAL PART No.	GENERAL ELECTRIC PART No.	RAYTHEON PART No.	
M2	1N2326	57C1-29			Output Bias Regulations

MISCELLANEOUS

ITEM No.	PART NAME	ADMIRAL PART No.	NOTES
M3	Tuning Cap.	68C72-2	3 Gang

CABINETS & CABINET PARTS

(When Ordering Cabinets & Cabinet Parts, Specify Model, Chassis & Color)

NAME	PART NO.	DESCRIPTION
Dial Knob	33C402-4	Tuning
Knob	33C402-2	Tuning, Gold Insert
Knob	33C402-3	Volume, Gold Insert
Cabinet	340140-6	Tan

WIRING DATA

General-use Unshielded Hook-up Wire Use BELDEN No. 8530 (Solid) Available in Ten Colors
8524 (Stranded) Available in Ten Colors

CHASSIS—TOP VIEW

