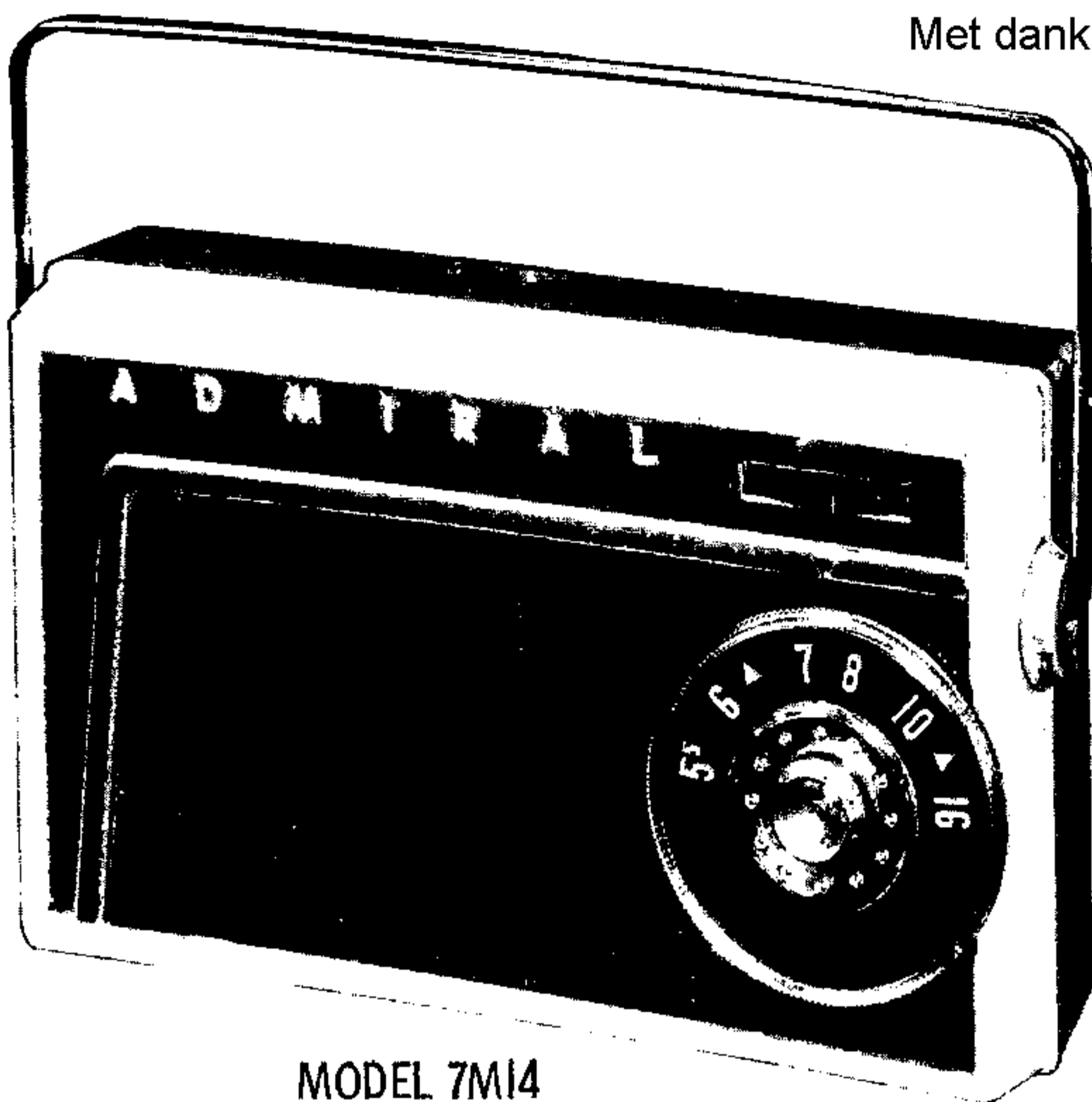




Met dank aan Jef Bos



MODEL 7M14

Ned. Ver. v. Histori

TRADE NAME Admiral Models 7M12, 7M14, 7M16, 7M18 (Ch. 7M1)
 MANUFACTURER Admiral Corp., 3800 W. Cortland St., Chicago 47, Ill.
 TYPE SET Battery Operated Portable AM Transistorized Receiver



POWER SUPPLY 6 Volts DC RATING 9.8MA @ 6 Volts DC
 TUNING RANGE--BROADCAST 535KC - 1620KC

ALIGNMENT INSTRUCTIONS--READ CAREFULLY BEFORE ATTEMPTING ALIGNMENT

Volume control should be at maximum position. Output of signal generator should be no higher than necessary to obtain an output reading. Use an insulated alignment screwdriver for adjusting.

DUMMY ANTENNA	SIGNAL GENERATOR COUPLING	SIGNAL GENERATOR FREQUENCY	RADIO DIAL SETTING	OUTPUT METER	ADJUST	REMARKS
1	Loop	455KC (400% Mod.)	Tuning gang fully open	Across voice coil	A1, A2, A3	Fashion loop of several turns of wire and radiate signal into loop of receiver. Adjust for maximum output.
2	"	1620KC	"	"	A4	Fashion loop of several turns of wire and radiate signal into loop of receiver. Adjust for maximum output. Repeat step 1 until no further increase is obtained.
3	"	1400KC	Tune to 1400KC signal	"	A5	Fashion loop of several turns of wire and radiate signal into loop of receiver. Adjust for maximum output.
The following step is not necessary unless it is impossible to tune in 535KC. Adjust oscillator trimmer (A4) 1/4 turn from tight position.						
4	Loop	535KC	Tuning gang fully closed	Across voice coil	A6	Fashion loop of several turns of wire and radiate signal into loop of receiver. Adjust for maximum output. Repeat steps 2 & 4 (with step 2 last) until required range can be covered. Repeat steps 3 & 1 in that order.

HOWARD W. SAMS & CO., INC. • Indianapolis 5, Indiana

The listing of any available replacement part herein does not constitute in any case a recommendation, warranty or guaranty by Howard W. Sams & Co., Inc., as to the quality and suitability of such replacement part. The numbers of these parts have been compiled from information furnished to Howard W. Sams & Co., Inc., by the manufacturers of H29

the particular type of replacement part listed. Reproduction or use, without express permission, of editorial or pictorial content, in any manner, is prohibited. No patent liability is assumed with respect to the use of the information contained herein. © 1957 Howard W. Sams & Co., Inc., Indianapolis 5, Indiana. Printed in U.S. of America

PARTS LIST AND DESCRIPTIONS

TRANSISTORS

ADM
MODEL 7M

ITEM No.	ORIG. TYPE	USE	REPLACEMENT DATA		NOTES
			CBS PART No.	SYLVANIA PART No.	
X1	2N219	Converter			
X2	2N218	1st. IF Amplifier			
X3	2N218	2nd. IF Amplifier			
X4	39A9	Overload Limiter			
X5	2N217	Driver			
X6	2N217	Output			X6 & X7 are a matched pair. X6 & X7 are a matched pair.
X7	2N217	Output			

ELECTROLYTIC CAPACITORS

ITEM No.	RATING		REPLACEMENT DATA						
	CAP.	VOLT.	ADMIRAL PART No.	AEROVOX PART No.	CORNELL-DUBILIER PART No.	MALLORY PART No.	PYRAMID PART No.	SANGAMO PART No.	SPRAGUE PART No.
C1	60	6	67B32-8	XPP6V60	NL80-6	TT6X60	ML75-6		TE-1101
C2	60	6	67B32-8	XPP6V60	NL80-6	TT6X60	ML75-6		TE-1101
C3	40	3	67B32-9	XPP3V40	NL40-3	TT3X40	ML40-8		TE-1057
C4	10	3	67B35-6	XPP3V10	NL10-3	TT3X10	ML10-8		TE-1053
C5	90	3	67B32-10	XPP3V100	NL110-3	TT3X110	ML100-3		TE-1060

FIXED CAPACITORS

Capacity values given in the rating column are in mfd. for Paper Capacitors, and in mmfd. for Mica and Ceramic Capacitors.

ITEM No.	RATING		REPLACEMENT DATA						NOTES
	CAP.	VOLT	ADMIRAL PART No.	AEROVOX PART No.	CENTRALAB PART No.	CORNELL-DUBILIER PART No.	ERIE PART No.	MALLORY PART No.	
C6	50000		65B45-2	BPD-05	DF-503				5HK-S5
C7	10000		65D10-41	BPD-01	DD-103	BYA6S1	ED-01	DC511	5HK-S1
C8	8.2		65D10-131	NP0-S1 8.2		C10V82C	TCO-8.2		
C9	50000		65B45-2						
C10	4.0		65D6-124			C10V4C			
C11	50000		65B45-2						
C12	50000		65B45-2						
C13	50000		65B45-2						
C14	8.0		65D6-125			LT6V8			
C15	50000		65B45-2						
C16	50000		65B45-2						
C17	50000		65B45-2						
C18	50000		65B45-2						
C19	10000		65D10-41	BPD-01	DD-103	BYA6S1	ED-01	DC511	5HK-S1
C20	50000		65B45-2						

CONTROLS

ITEM No.	RATING		REPLACEMENT DATA				INSTALLATION NOTES	
	RESISTANCE	WATTS	ADMIRAL PART No.	CENTRALAB PART No.	CLAROSTAT PART No.	IRC PART No.		MALLORY PART No.
R1	2500Ω	1/4	75B38-1					Volume & Switch

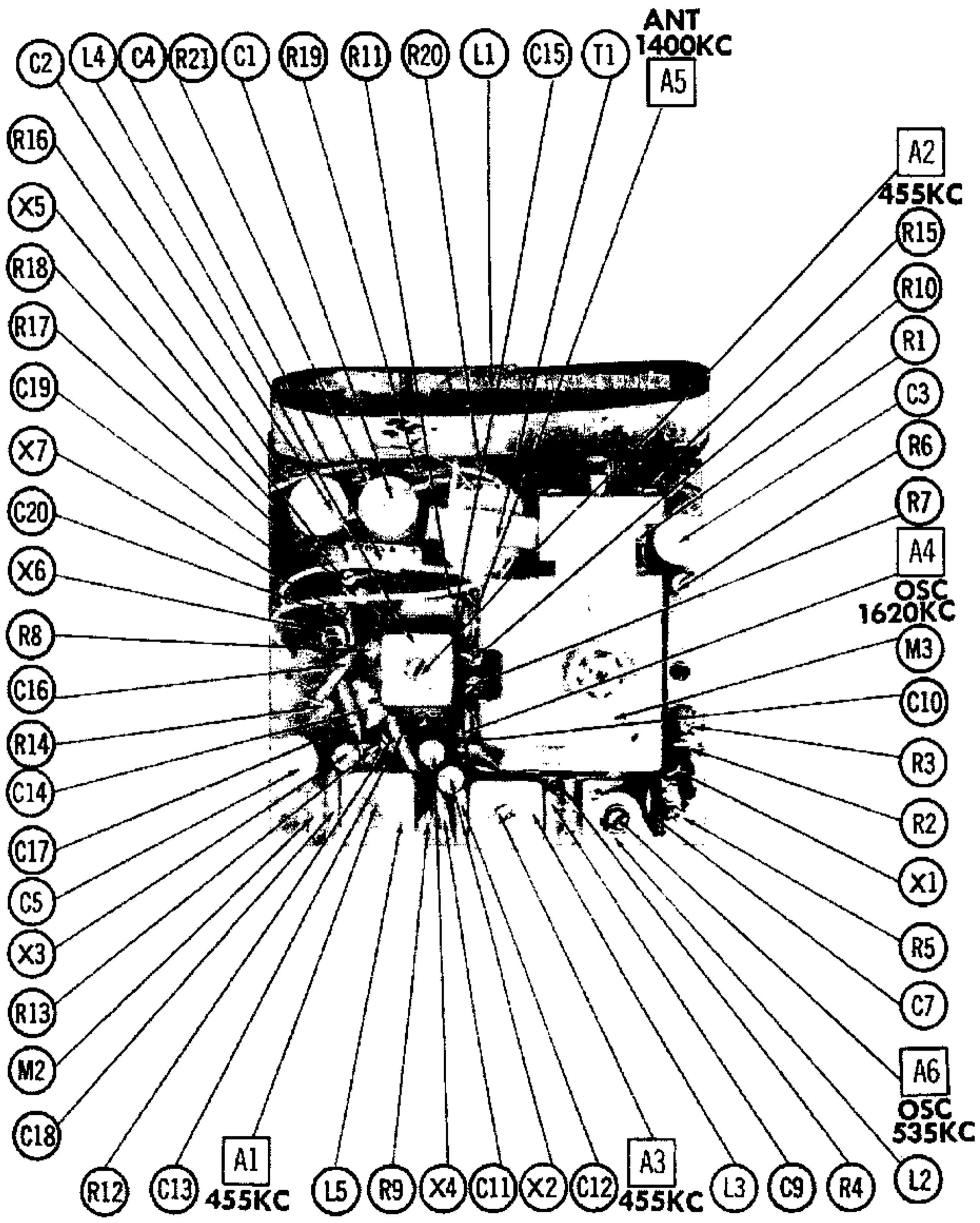
RESISTORS

All wattages 1/2 watt, or less, unless otherwise listed.

ITEM No.	RATING		REPLACEMENT DATA		NOTES	ITEM No.	RATING		REPLACEMENT DATA		NOTES
	OHMS	WATT	ADMIRAL PART No.	IRC PART No.			OHMS	WATT	ADMIRAL PART No.	IRC PART No.	
R2	8200Ω		60B8-822	BTS-8200		R12	3300Ω		60B8-332	BTS-3300	
R3	6800Ω		60B8-682	BTS-6800		R13	220Ω		60B8-221	BTS-220	
R4	560Ω		60B8-561	BTS-560		R14	470Ω		60B8-471	BTS-470	
R5	3900Ω		60B8-392	BTS-3900		R15	2700Ω		60B8-272	BTS-2700	
R6	47K	5%	60B7-473	BTS-47K 5%		R16	22K		60B8-223	BTS-22K	
R7	6800Ω		60B8-682	BTS-6800		R17	2700Ω		60B8-272	BTS-2700	Note 1
R8	2700Ω		60B8-272	BTS-2700		R18	390Ω		60B8-391	BTS-390	
R9	470Ω		60R8-471	BTS-470		R19	3900Ω		60B8-392	BTS-3900	
R10	2200Ω		60B8-222	BTS-2200		R20	100Ω		60B8-101	BTS-100	
R11	18K		60B8-183	BTS-18K		R21	100Ω		60B8-101	BTS-100	

Note 1. Early production used 4700Ω (Part #60B8-472).

CHASSIS—TOP VIEW



PARTS LIST AND DESCRIPTIONS (Continued)

TRANSFORMER (DRIVER)

ITEM No.	Turns Ratio		REPLACEMENT DATA					NOTES
	PRI.	SEC.	ADMIRAL PART No.	Halldorson PART No.	Merit PART No.	Stancor PART No.	Thordarson PART No.	
T1	1:	1	79B67-3	GH110			TR-2 ⊕	(1) Tape center tap on primary winding.

TRANSFORMER (AUDIO OUTPUT)

ITEM No.	IMPEDANCE		REPLACEMENT DATA					NOTES
	PRI.	SEC.	ADMIRAL PART No.	Halldorson PART No.	Merit PART No.	Stancor PART No.	Thordarson PART No.	
T2	500Ω CT	14Ω	79B68-4	GH105			TR-18	

SPEAKER

ITEM No.	TYPE			REPLACEMENT DATA		NOTES
	SIZE	FIELD	V. C. IMP.	ADMIRAL PART No.	QUAM PART No.	
SP1	2 3/4"	PM	14Ω	78B125		

COILS (RF-IF)

ITEM No.	USE	REPLACEMENT DATA				NOTES
		ADMIRAL PART No.	MEISSNER PART No.	MERIT PART No.	MILLER PART No.	
L1	Loop Stick	69B218-1				
L2	Osc. Coil	69B213-2				
L3	1st. IF	72C182-1				
L4	2nd. IF	72C182-2				
L5	3rd. IF	72C182-3				

BATTERIES

ITEM No.	VOLTAGE	ADMIRAL PART No.	REPLACEMENT DATA								NOTES
			BURGESS		EVEREADY		MALLORY		RAY-O-VAC		
			"A"	"B"	"A"	"B"	"A"	"B"	"A"	"B"	
M1	1.5V		Z		915 or Mercury E502		M-15 or Mercury RM502R		7-R		4 used in series

CRYSTAL DIODES

ITEM No.	ORIG. TYPE	REPLACEMENT DATA			NOTES
		ADMIRAL PART No.	CBS PART No.	SYLVANIA PART No.	
M2	1N295		1N60	1N60	Audio Det.

MISCELLANEOUS

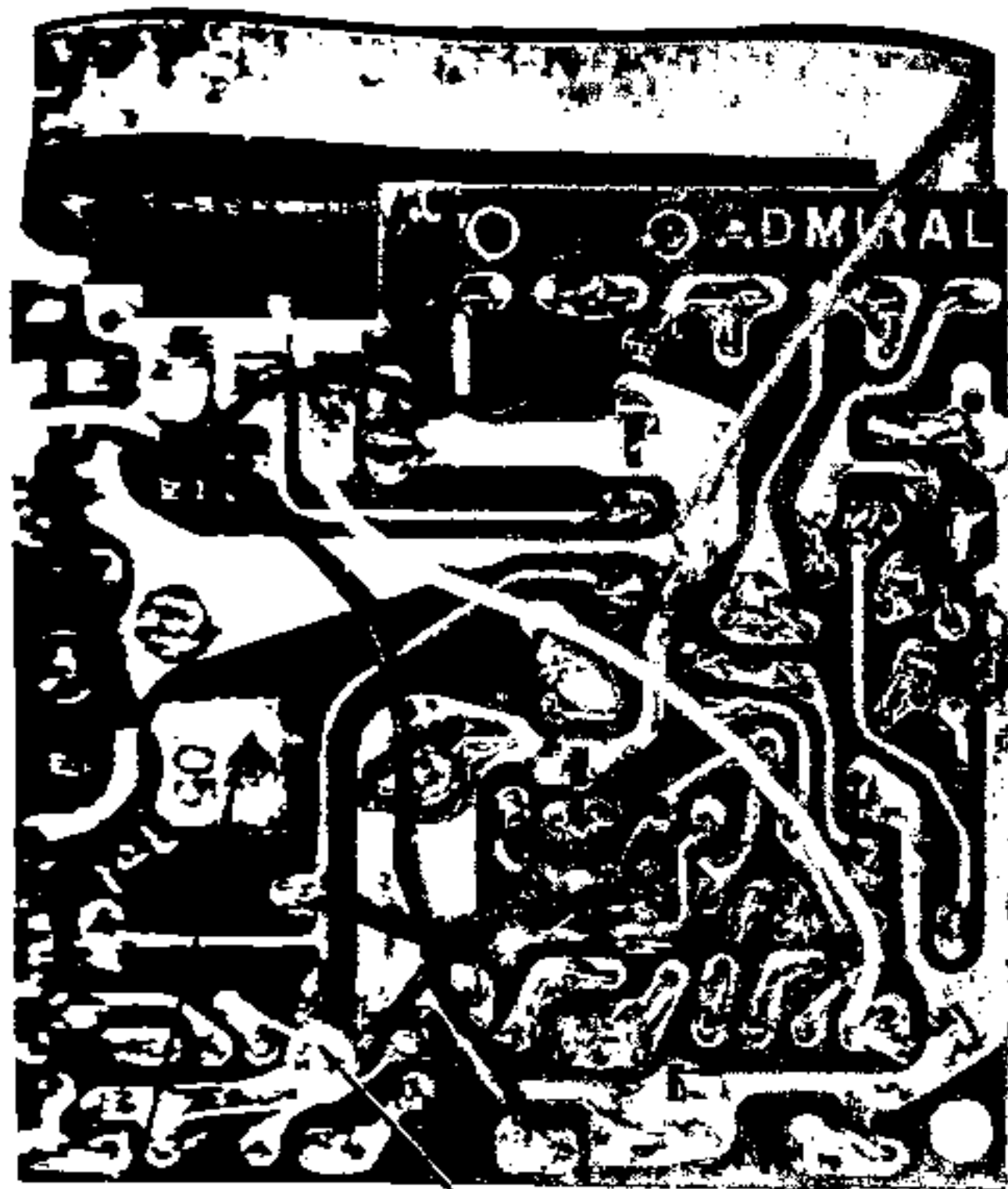
ITEM No.	PART NAME	ADMIRAL PART No.	NOTES
M3	Tuning Cap.	68B-67-1	2 Gang (Ant. 8-130MMF)

CABINETS & CABINET PARTS

(When Ordering Cabinets & Cabinet Parts, Specify Model, Chassis & Color)

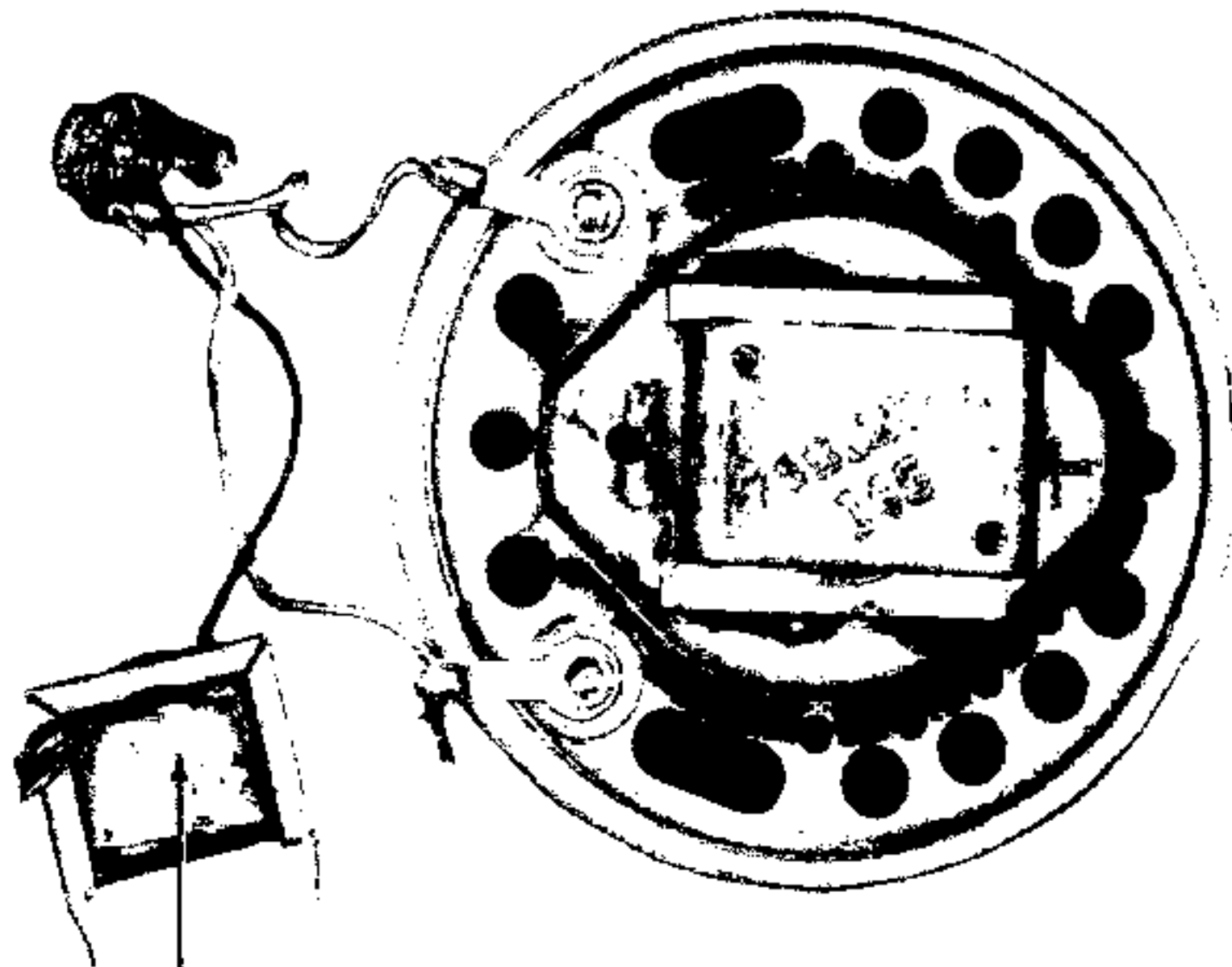
NAME	PART NO.	DESCRIPTION
Knob	33C217-1	Tuning
Knob	33C217-2	On-Off-Volume
Screw	27A232	Tuning Knob
Cabinet Back Ass'y.	A5582	Red Model 7M12
Cabinet Back Ass'y.	A5650	Tan Model 7M14
Cabinet Back Ass'y.	A5662	Yellow Model 7M16
Cabinet Back Ass'y.	A5651	Turquoise Model 7M18
Cabinet Front Ass'y.	34E115-10	White
Handle	37A155-1	Gold
Earphone Jack	88B39-3	

CHASSIS—BOTTOM VIEW

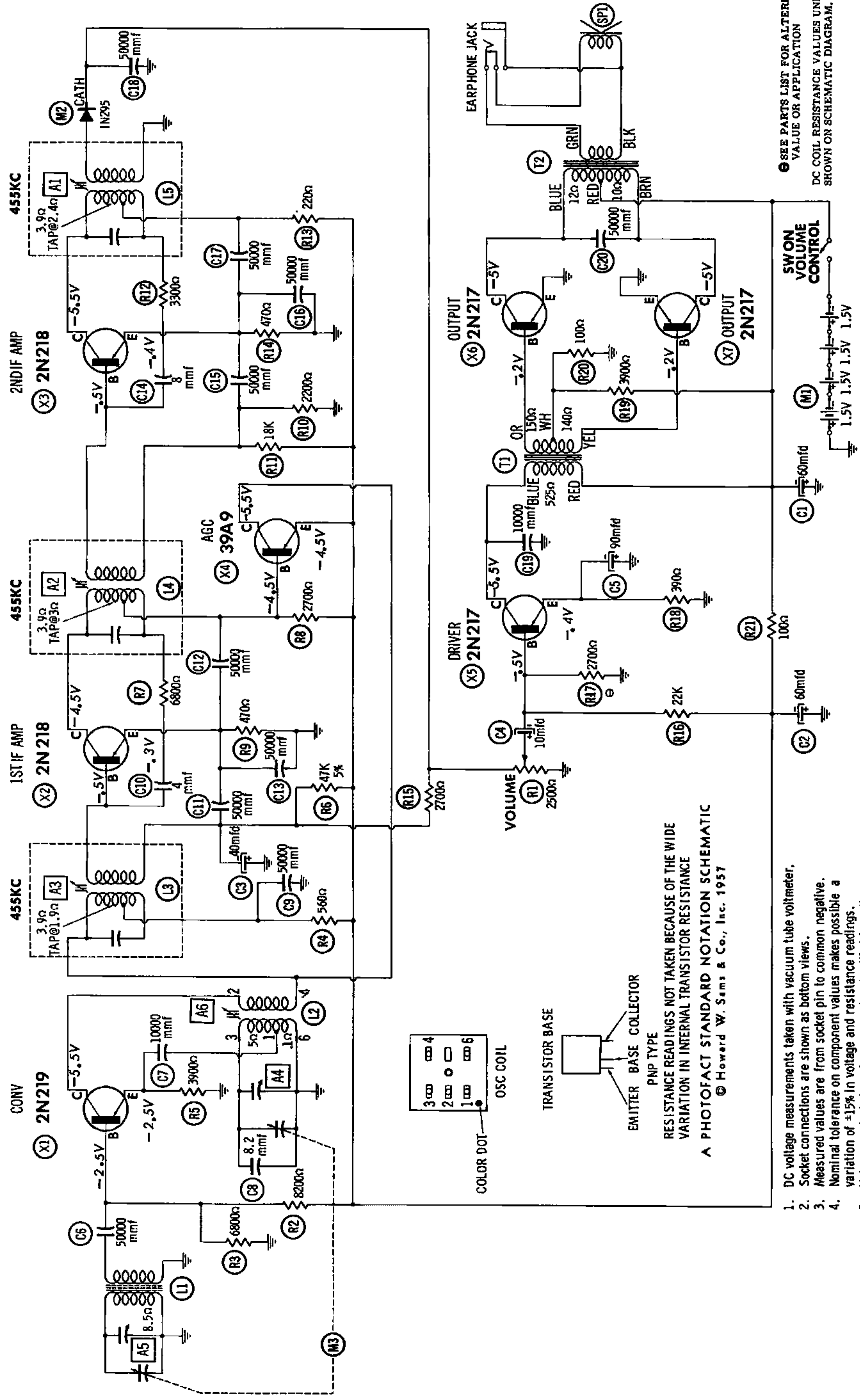


C5

C8



T2



A PHOTOFACT STANDARD NOTATION SCHEMATIC
 © Howard W. Sams & Co., Inc. 1957

1. DC voltage measurements taken with vacuum tube voltmeter.
2. Socket connections are shown as bottom views.
3. Measured values are from socket pin to common negative.
4. Nominal tolerance on component values makes possible a variation of $\pm 15\%$ in voltage and resistance readings.
5. Volume control at maximum. no signal applied for voltage measurements.

SEE PARTS LIST FOR ALTERNATE VALUE OR APPLICATION
 DC COIL RESISTANCE VALUES UNDER ONE OHM NOT SHOWN ON SCHEMATIC DIAGRAM.