

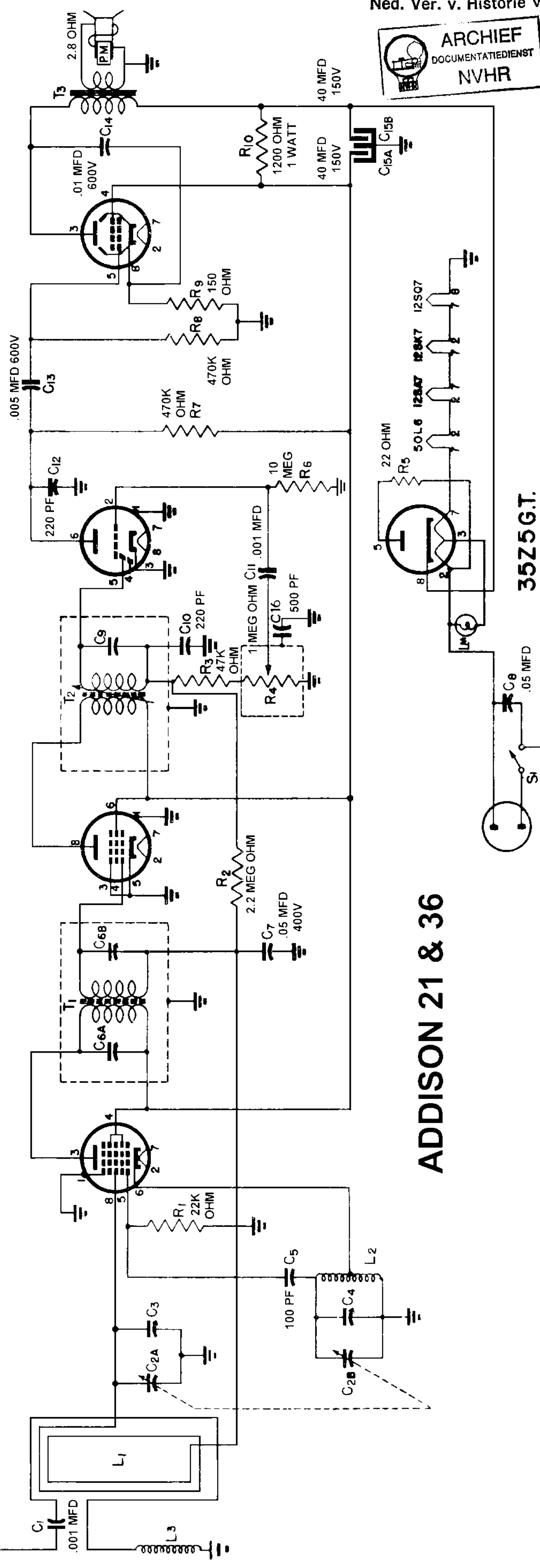
12SA7

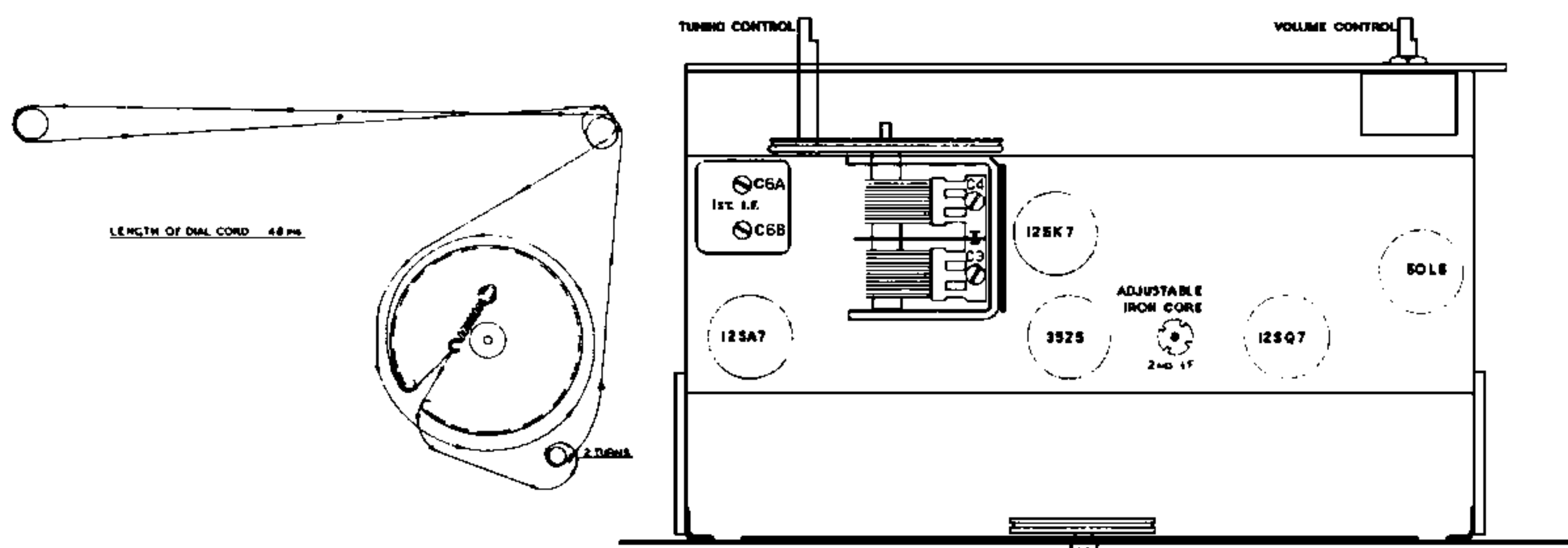
12SK7

12SQ7

50L6GT

50L6GT





ALIGNMENT PROCEDURE

Steps in Alignment	Test Oscillator			Receiver Dial Setting	Circuit to Adjust	Symbol on Schematic
	Connection to Receiver	Dummy Antenna	Frequency Setting			
1.	Control Grid 12SK7 Pin No. 4	.05 Mfd.	456 Kc.	No Signal 540-700 Kc.	2nd I.F. Transformer	Adjustable Iron Core
2.	Control Grid 12SA7 Pin No. 8	.05 Mfd.	456 Kc.	No Signal 540-700 Kc.	1st I.F. Transformer	C6A C6B
3.	Antenna Clip Back of Chassis	50 Mmfd.	1500 Kc.	1500 Kc.	Oscillator Trimmer	C4
4.	Antenna Clip Back of Chassis	50 Mmfd.	1500 Kc.	1500 Kc.	Antenna Trimmer	C3