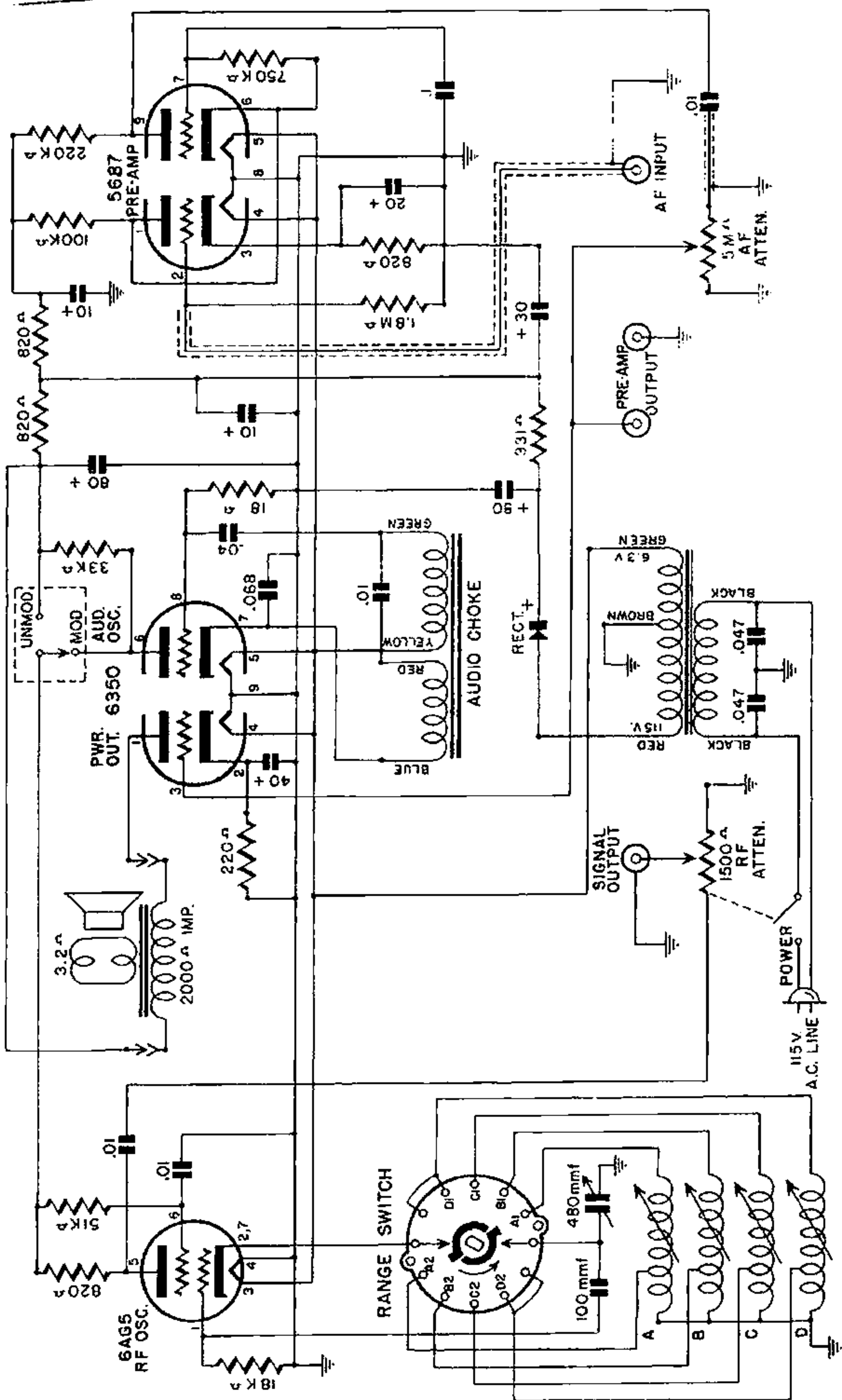


Met dank aan John Koster



Accurate Instrument Co., Inc.
**SIGNAL GENERATOR & TRACER
 MODEL - 153**
 Designed by: S. Liff Drawn by: J. Moss
 Checked by: M. H. Date: 1-10-62
 NOTE REVISED 6-5-62
 Range Switch is shown in "BAND-A" position.
 Direction of switch shown as viewed from rear of panel.

