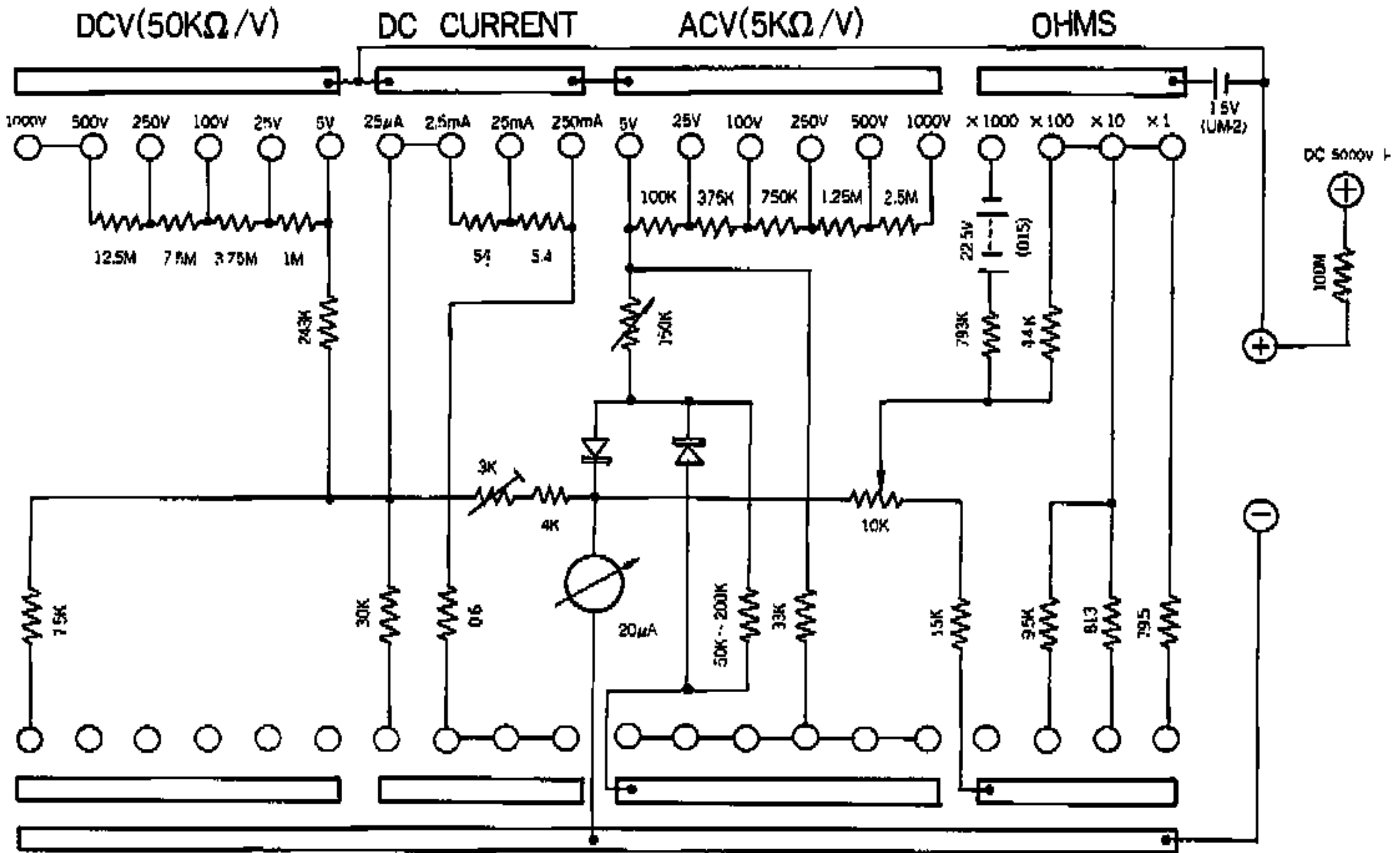


MODEL 320-X SCHEMATIC DIAGRAM



320-X List of main parts

Symbol	Description
R 1	Resistor (12.5MΩ, film), DC 500V multiplier
R 2	Resistor (7.5MΩ, film), DC 250V multiplier
R 3	Resistor (3.75MΩ, film), DC 100V multiplier
R 4	Resistor (1MΩ, film), DC 25V multiplier
R 5	Resistor (243kΩ, film), DC 5V multiplier
R 6	Resistor (7.5kΩ, film), shunt
R 7	Resistor (3kΩ, film), series (variable)
R 8	Resistor (4kΩ, film), series (variable)
R 9	Resistor (0.6Ω, wirewound), DC 250mA shunt
R 10	Resistor (54Ω, wirewound), DC 25mA shunt
R 11	Resistor (54Ω, wirewound), DC 2.5mA shunt
R 12	Resistor (30kΩ, film), DC 25μA shunt
R 13	Resistor (2.5MΩ, film), AC 1000V multiplier
R 14	Resistor (1.25MΩ, film), AC 500V multiplier
R 15	Resistor (750kΩ, film), 250V multiplier
R 16	Resistor (375kΩ, film), AC 100V multiplier
R 17	Resistor (100kΩ, film), AC 25V multiplier
R 18	Resistor (150kΩ, film), AC 5V multiplier
R 19	Resistor (50k-200kΩ, film), AC shunt
R 20	Resistor (30k-40kΩ, film), AC sensitivity calibration
R 21	Resistor (793kΩ, film), ohm × 1000 series

Symbol	Description
R 22	Resistor (44kΩ, film), ohm series
R 23	Resistor (95kΩ, film), ohm × 100 shunt
R 24	Resistor (813Ω, film), ohm × 10 shunt
R 25	Resistor (79.5Ω, wirewound), ohm × 1 shunt
R 26	Resistor (10kΩ), 0 ohm adjusting potentiometer
R 27	Resistor (15kΩ, film), shunt
R 28	Resistor (100MΩ, film), DC 5000V multiplier
B 1	Dry cell (15 volt)
B 2	Dry cell (22.5 volt)
D1-D2	Copper-oxide rectifier (RF20 type)
P	Panel (320-X type)
	Iron case (320-X type)
BH	Battery holder with holding metal
M	Meter movement (20 microampere)
	Pin type jack 3 required (4φ)
RH	Resistor holder
	Range selector switch
	Range selector switch knob
	Zero ohm adjuster knob
	Meter movement cover & base
	Test lead, pair (4φ)