

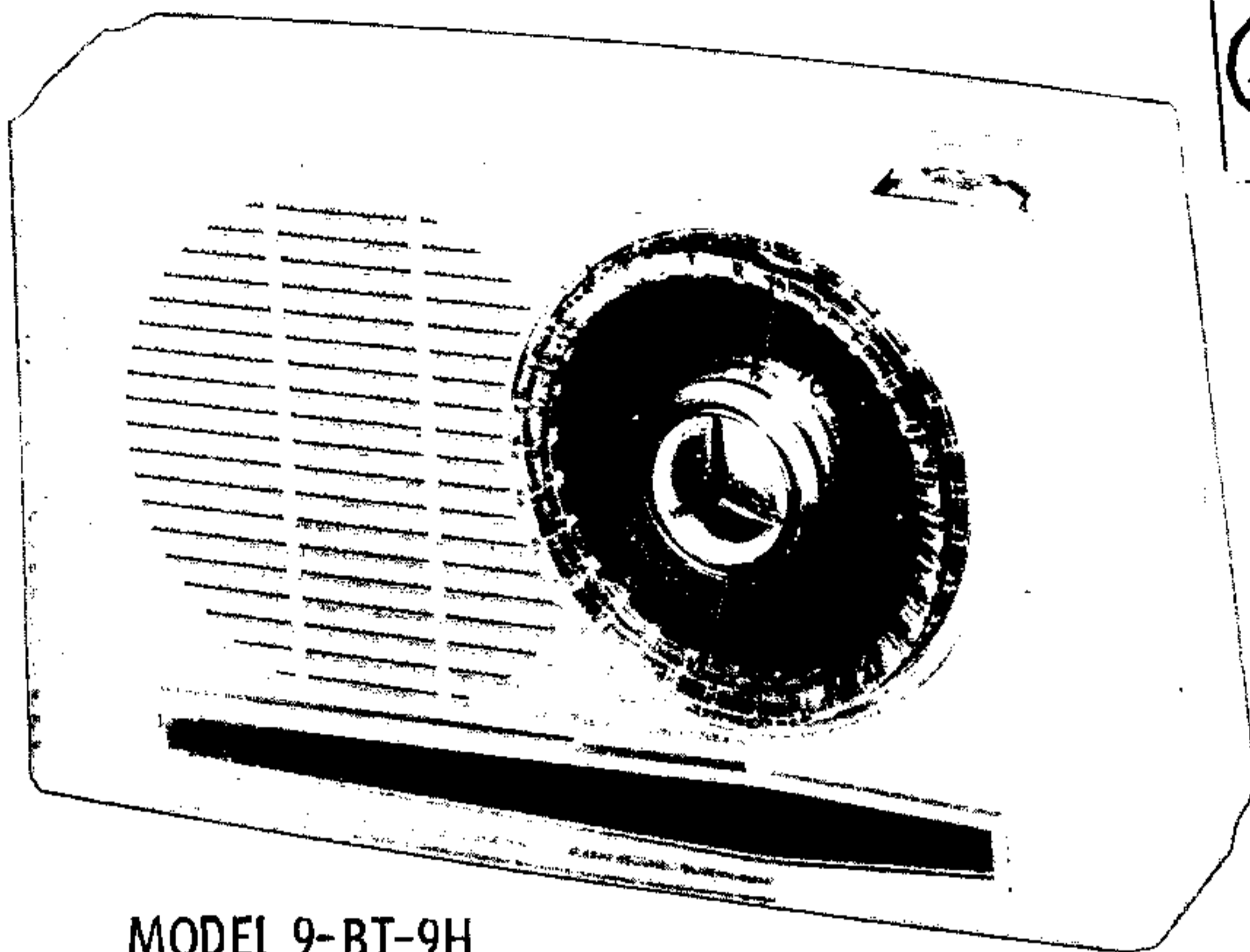


Ned. Ver. v. Hist

Met dank aan Jef Bos



ARCHIEF  
DOCUMENTATIE  
NVH



MODEL 9-BT-9H

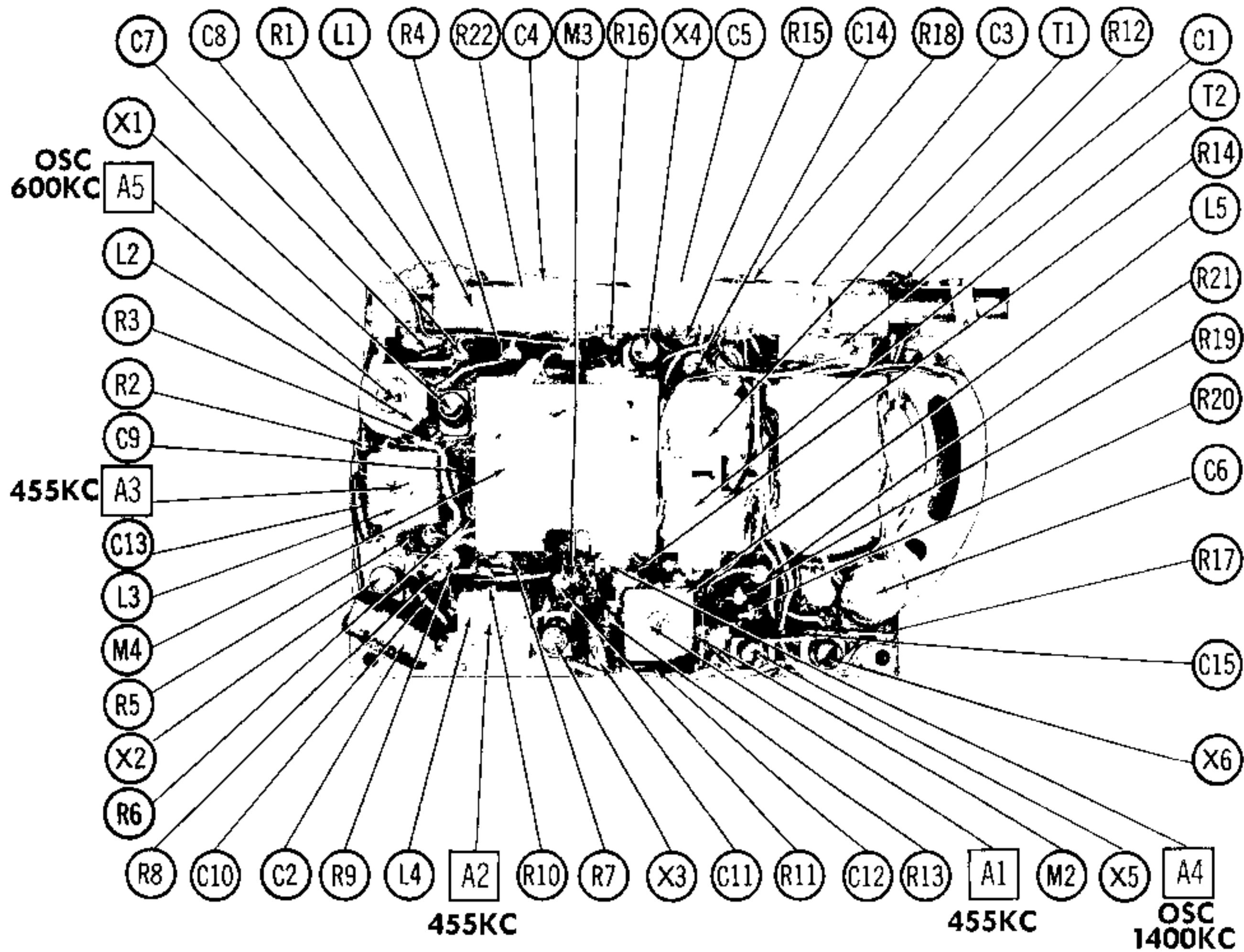
MODELS 9-BT-9E, H, J (Ch. RC-1164A)

TRADE NAME		RCA Victor Models 9-BT-9E, 9-BT-9H, 9-BT-9J (Ch. RC-1164A)				
MANUFACTURER		RCA Victor Radio & "Victrola" Div., Radio Corp. of America, Camden 8, N. J.				
TYPE SET		Battery Operated Portable AM Transistorized Receiver				
POWER SUPPLY		9 Volts DC	RATING		7.5MA @ 9 Volts DC	
TUNING RANGE—BROADCAST		540KC - 1800KC				
ALIGNMENT INSTRUCTIONS—READ CAREFULLY BEFORE ATTEMPTING ALIGNMENT						
Volume control should be at maximum position. Output of signal generator should be no higher than necessary to obtain an output reading. Use an insulated alignment screwdriver for adjusting.						
DUMMY ANTENNA	SIGNAL GENERATOR COUPLING	SIGNAL GENERATOR FREQUENCY	RADIO DIAL SETTING	OUTPUT METER	ADJUST	REMARKS
1	High side to terminal #2 on Loop Stick (L). Low side to common positive.	455KC (400v Mod.)	Quiet point near 1600KC	Across voice coil	A1, A2, A3	Adjust for maximum output. Repeat step 1.
2	Loop	1400KC	Tune to 1400KC signal	"	A4	Adjust for maximum output while rocking tuning gang.
3	"	600KC	600KC	"	A5	Adjust for maximum output while rocking tuning gang. Repeat steps 2 & 3.

HOWARD W. SAMS & CO., INC. • Indianapolis 5, Indiana

The listing of any available replacement part herein does not constitute in any case a recommendation, warranty or guaranty by Howard W. Sams & Co., Inc., as to the quality and suitability of such replacement part. The numbers of these parts have been compiled from information furnished to Howard W. Sams & Co., Inc., by the manufacturers of H31

the particular type of replacement part listed. Reproduction or use, without express permission, of editorial or pictorial content, in any manner, is prohibited. No patent liability is assumed with respect to the use of the information contained herein. © 1957 Howard W. Sams & Co., Inc., Indianapolis 5, Indiana. Printed in U.S. of America



CHASSIS-TOP VIEW

# PARTS LIST AND DESCRIPTIONS

## TRANSISTORS

ITEM No.	ORIG. TYPE	USE	REPLACEMENT DATA		NOTES
			CBS PART No.	SYLVANIA PART No.	
X1	2N140	Converter			
X2	2N139	1st. IF Amplifier			
X3	2N139	2nd. IF Amplifier			
X4	2N109	Driver			
X5	2N109	Output			
X6	2N109	Output			

## ELECTROLYTIC CAPACITORS

ITEM No.	RATING		REPLACEMENT DATA						
	CAP.	VOLT.	RCA Victor PART No.	AEROVOX PART No.	CORNELL-DUBILIER PART No.	MALLORY PART No.	PYRAMID PART No.	SANGAMO PART No.	SPRAGUE PART No.
C1	10	10	101613	XPP10V10	NL10-10	TT12X10	ML10-15		TE-1114
C2	45	10	101793	XPP10V50	NL50-10	TT10X50			R2417 *
C3	10	10	101613	XPP10V10	NL10-10	TT12X10	ML10-15		TE-1114
C4	10	10	101613	XPP10V10	NL10-10	TT12X10	ML10-15		TE-1114
C5	25	10	101614	XPP10V25	NL25-10	TT10X25	ML30-15		TE-1118
C6	100	10	103015	PWE10V100	NL100-10				R2418 *

\* Non catalog item

## FIXED CAPACITORS

Capacity values given in the rating column are in mfd. for Paper Capacitors, and in mmfd. for Mica and Ceramic Capacitors.

ITEM No.	RATING		REPLACEMENT DATA						NOTES	
	CAP.	VOLT	RCA Victor PART No.	AEROVOX PART No.	CENTRALAB PART No.	CORNELL-DUBILIER PART No.	ERIE PART No.	MALLORY PART No.		SPRAGUE PART No.
C7	100000		101610							
C8	30000		101698							
C9	100000		103014							
C10	100000		103014							
C11	100000		103014							
C12	30000		101698							
C13	100000		103014							
C14	5000		101742							
C15	50000		103380	BPD-05	DF-503					5HK-S5

## CONTROLS

ITEM No.	RATING		REPLACEMENT DATA				INSTALLATION NOTES	
	RESISTANCE	WATTS	RCA Victor PART No.	CENTRALAB PART No.	CLAROSTAT PART No.	IRC PART No.		MALLORY PART No.
R1	2000Ω	1/4	101616					Volume & Switch

## RESISTORS

All wattages 1/2 watt, or less, unless otherwise listed.

ITEM No.	RATING		REPLACEMENT DATA		NOTES	ITEM No.	RATING		REPLACEMENT DATA		NOTES
	OHMS	WATT	RCA Victor PART No.	IRC PART No.			OHMS	WATT	RCA Victor PART No.	IRC PART No.	
R2	470Ω	1/10	502147	BTS-470	Note 1	R13	470Ω	502147	BTS-470	Note 2	
R3	100K		103022	BTR-100K		R14	3900Ω	502239	BTS-3900		
R4	560Ω 5%		502156	BTS-560 5%		R15	6800Ω	502268	BTS-6800		
R5	100Ω 5%		502110	BTS-100 5%		R16	33K	502333	BTS-33K		
R6	1000Ω 5%		502210	BTS-1000 5%		R17	82K	502382	BTS-82K		
R7	220Ω		502122	BTS-220		R18	1000Ω	502210	BTS-1000 5%		
R8	1000Ω 5%		502210	BTS-1000 5%		R19	270Ω	103021			
R9	3300Ω 5%		502233	BTS-3300 5%		R20	390Ω 5%	502139	BTS-390 5%		
R10	15K		502315	BTS-15K		R21	11K 5%	502311	BTS-11K 5%		
R11	15K		502315	BTS-15K		R22	100Ω	502110	BTS-100 5%		
R12	3300Ω		502233	BTS-3300							

Note 1. Some versions may use a 220Ω 1/2W

Note 2. Manufacturer recommends 5% replacement

Note 3. Special temperature compensation type

# PARTS LIST AND DESCRIPTIONS (Continued)

## TRANSFORMER (DRIVER)

ITEM No.	Turns Ratio		REPLACEMENT DATA					NOTES
			RCA Victor PART No.	Haldorson PART No.	Merit PART No.	Stancor PART No.	Thordarson PART No.	
	PRI.	SEC.						
T1	L 5:	1	101618	GH110			TR-3 ①	↓ Tape center tap on primary winding

## TRANSFORMER (AUDIO OUTPUT)

ITEM No.	IMPEDANCE		REPLACEMENT DATA					NOTES
			RCA Victor PART No.	Haldorson PART No.	Merit PART No.	Stancor PART No.	Thordarson PART No.	
	PRI.	SEC.						
T2	1500Ω CT	14Ω	101619					

## SPEAKER

ITEM No.	TYPE			REPLACEMENT DATA		NOTES
				RCA Victor PART No.	QUAM PART No.	
	SIZE	FIELD	V. C. IMP.			
SP1	2 3/4	PM	14Ω	103023		

## COILS (RF-IF)

ITEM No.	USE	REPLACEMENT DATA				NOTES
		RCA Victor PART No.	MEISSNER PART No.	MERIT PART No.	MILLER PART No.	
L1	Loop Stick	103016		BC-419		
L2	Osc. Coil	103017				
L3	1st. IF	103018	16-9012	BC-324		
L4	2nd. IF	103019	16-9013	BC-325		
L5	3rd. IF	103020	16-9014	BC-326		

## BATTERIES

ITEM No.	VOLTAGE	RCA Victor PART No.	REPLACEMENT DATA						NOTES		
			BURGESS		EVEREADY		MALLORY			RAY-O-VAC	
			"A"	"B"	"A"	"B"	"A"	"B"		"A"	"B"
M1	9V	VS-300		P6		266		M-1600		1600	

## CRYSTAL DIODES

ITEM No.	ORIG. TYPE	REPLACEMENT DATA			NOTES
		RCA VICTOR PART No.	CBS PART No.	SYLVANIA PART No.	
M2	1N60	101615	1N60	1N60	Audio Det. Limiter
M3	1N60	101615	1N60	1N60	

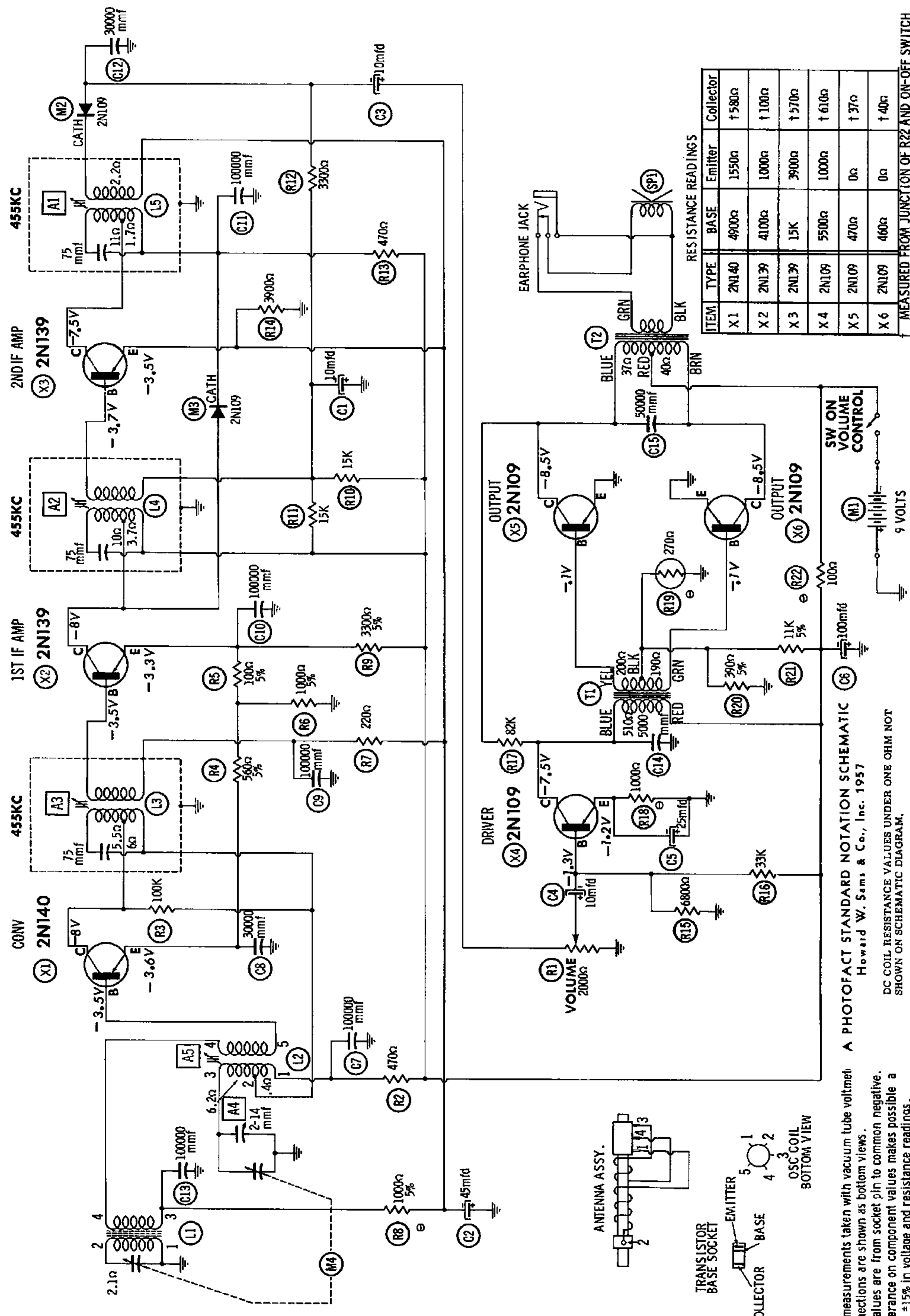
## MISCELLANEOUS

ITEM No.	PART NAME	RCA Victor PART No.	NOTES
M4	Tuning Cap.	101617	2 Gang (Ant. 8-82MMF, Osc. 6.2-59MMF)

## CABINETS & CABINET PARTS

(When Ordering Cabinets & Cabinet Parts, Specify Model, Chassis & Color)

NAME	PART NO.	DESCRIPTION
Printed Panel	1-616196	
Dial	103665	Tuning
Knob	101637	Volume
Knob	103644	Tuning
Cabinet	Y4098	White-Model 9-BT-9E
Cabinet	Y4097	Grey-Model 9-BT-9J
Cabinet	Y4099	Green-Model 9-BT-9H



**A PHOTOFACT STANDARD NOTATION SCHEMATIC**  
Howard W. Sams & Co., Inc. 1957

1. DC voltage measurements taken with vacuum tube voltmeter.
2. Socket connections are shown as bottom views.
3. Measured values are from socket pin to common negative.
4. Nominal tolerance on component values makes possible a variation of ±15% in voltage and resistance readings.
5. Volume control at maximum. no signal applied for voltage measurements.

SEE PARTS LIST FOR ALTERNATE VALUE OR APPLICATION

DC COIL RESISTANCE VALUES UNDER ONE OHM NOT SHOWN ON SCHEMATIC DIAGRAM.

TRANSISTORS REMOVED FOR RESISTANCE MEASUREMENTS