

# MANUAL OF 1951 MOST-OFTEN-NEEDED RADIO DIAGRAMS



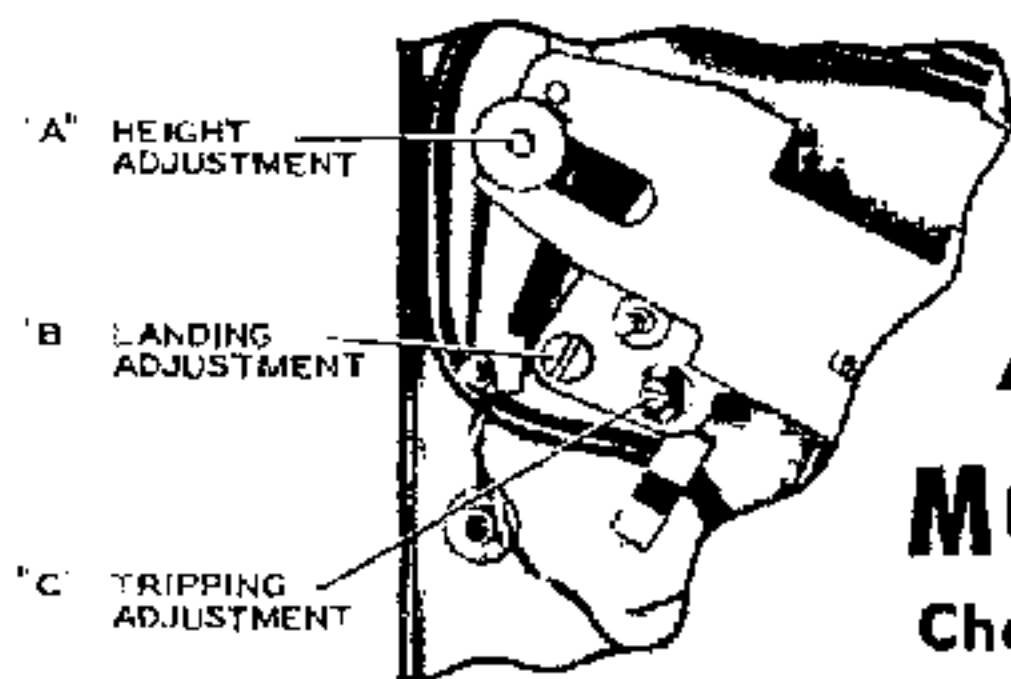
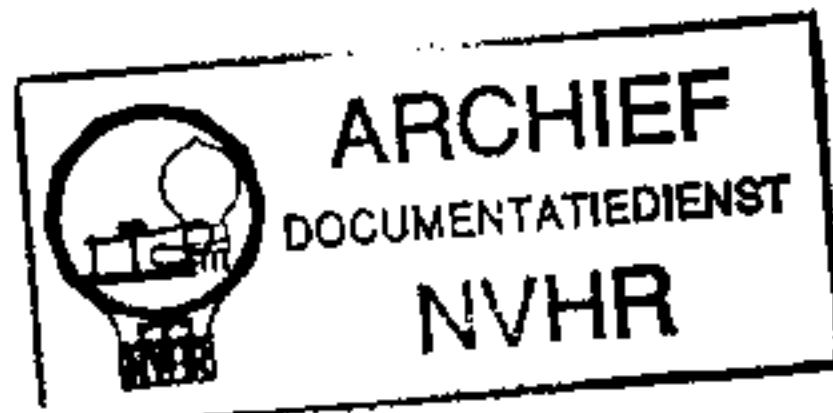
## RCA VICTOR

Ned. Ver. v. Historie v/c

Automatic Record Player

### MODEL 45-EY-2

Chassis No. RS-138, RS-138A



### Pickup Height Adjustment

Adjust knurled nut (A) until the distance (during change cycle) between the top of the turntable and the stylus point is approximately  $1\frac{1}{8}$ "

### Pickup Landing Adjustment

Adjust the screw driver landing adjustment stud "B" so the stylus lands  $2\frac{3}{8}$ "  $\pm$   $\frac{1}{32}$ " from the side of the center post.

### Tripping Adjustment

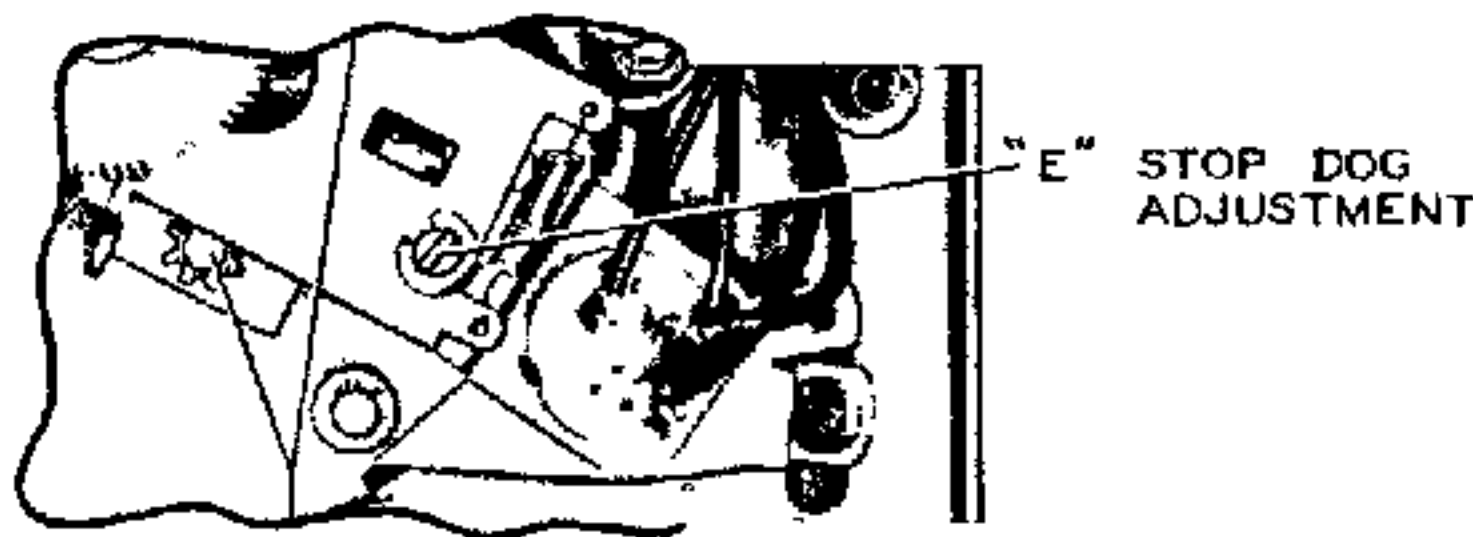
Adjust the eccentric tripping stud (C) until the mechanism trips when the stylus is  $1\frac{9}{32}$ " from the side of the center post.

### Stop Dog Adjustment

Turn the eccentric screw (E) until the record drops to the turntable without striking the pickup arm.

### Critical Lead Dress

1. Dress all leads away from R6 and R9
2. Dress electrolytic capacitor away from R6 and R9
3. Dress filament leads down to chassis
4. Solder braid of W-1 such that it acts as a strain relief



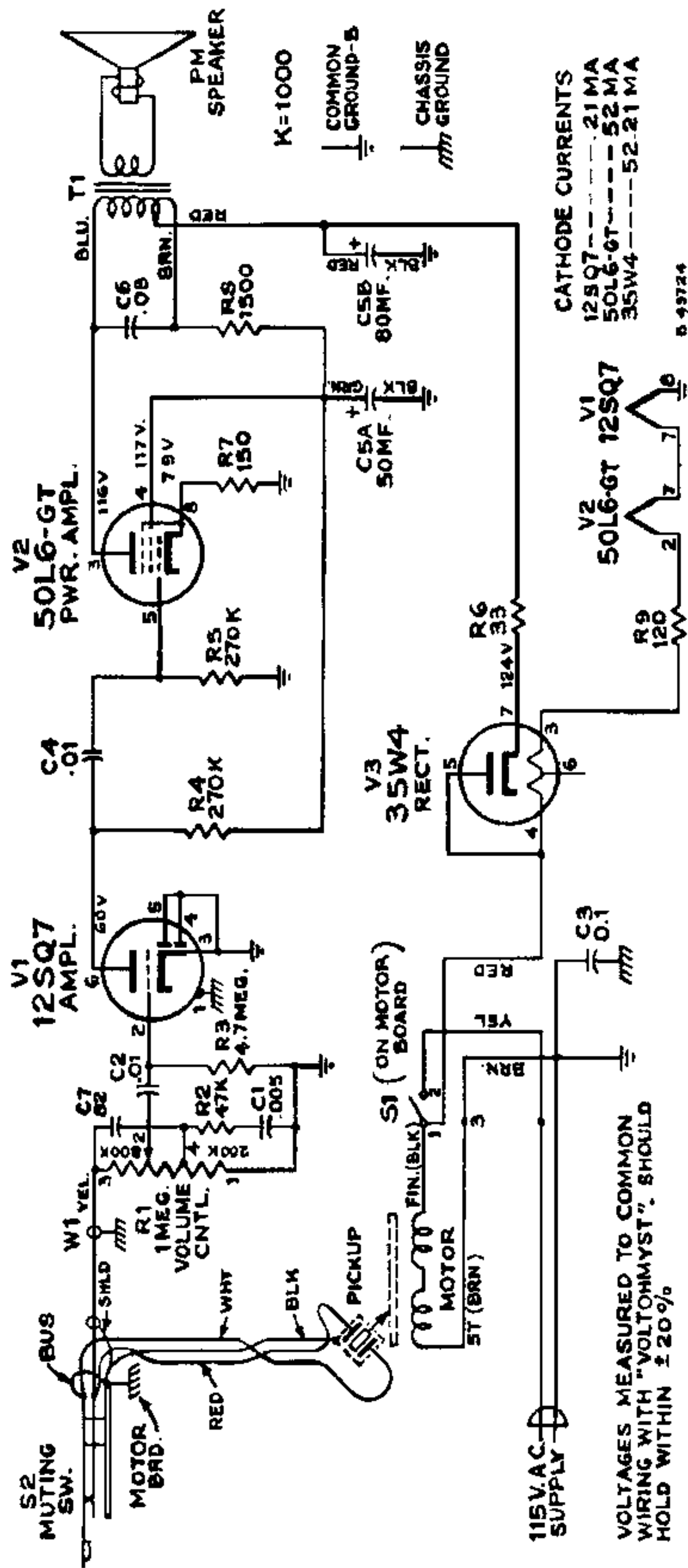


# RCA VICTOR

Automatic Record Player

## MODEL 45-EY-2

Chassis No. RS-138A



Schematic Diagram RS138A

D-93724