

PHOTOFACT[®] with

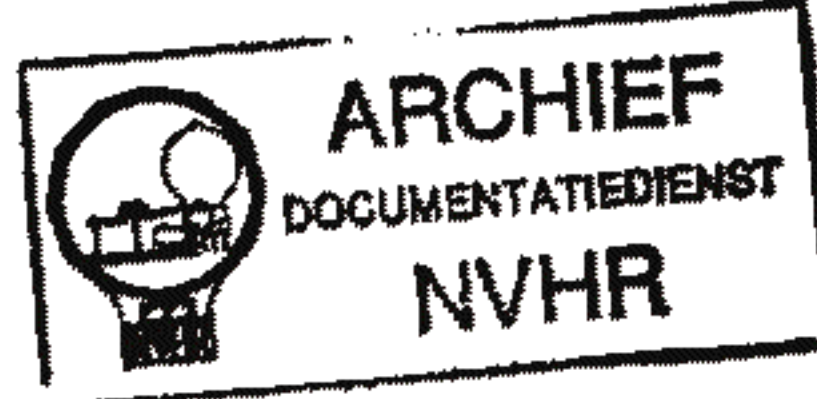
CIRCUITRACE[®]

Met dank aan Jef Bos

TRADE NAME: Honey Tone Model 604
 SUPPLIER: Associated Importers, 1168 Battery St.,
 San Francisco II, California
 TYPE SET: 6 Transistor AM Receiver
 POWER SUPPLY: 9 Volts DC
 RATING: 7MA @ 9VDC (No Signal)
 20MA @ 9VDC (Normal Signal)
 TUNING RANGE: Broadcast 540-1620KC



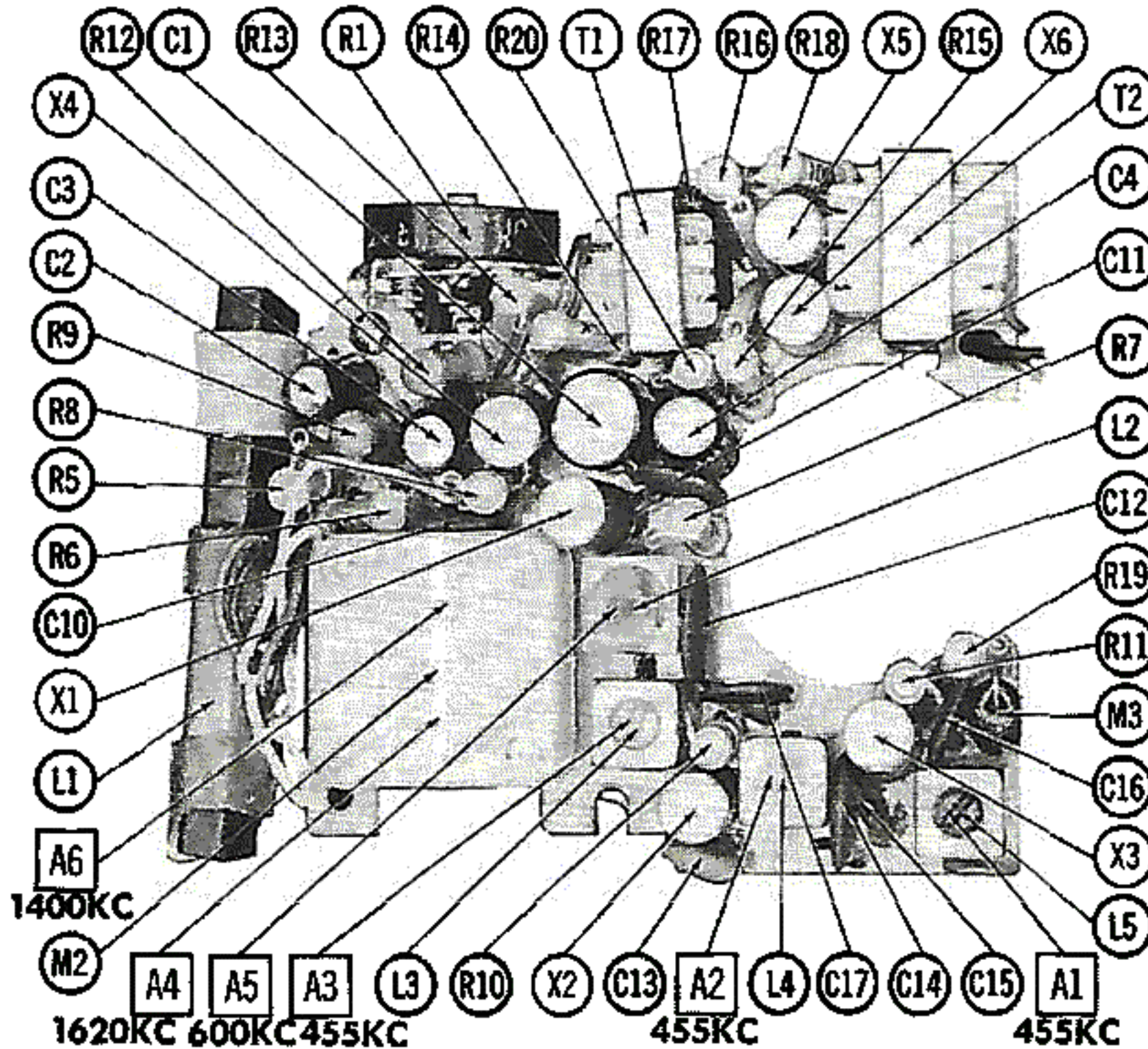
Ned. Ver. v. Historie v/d Radio



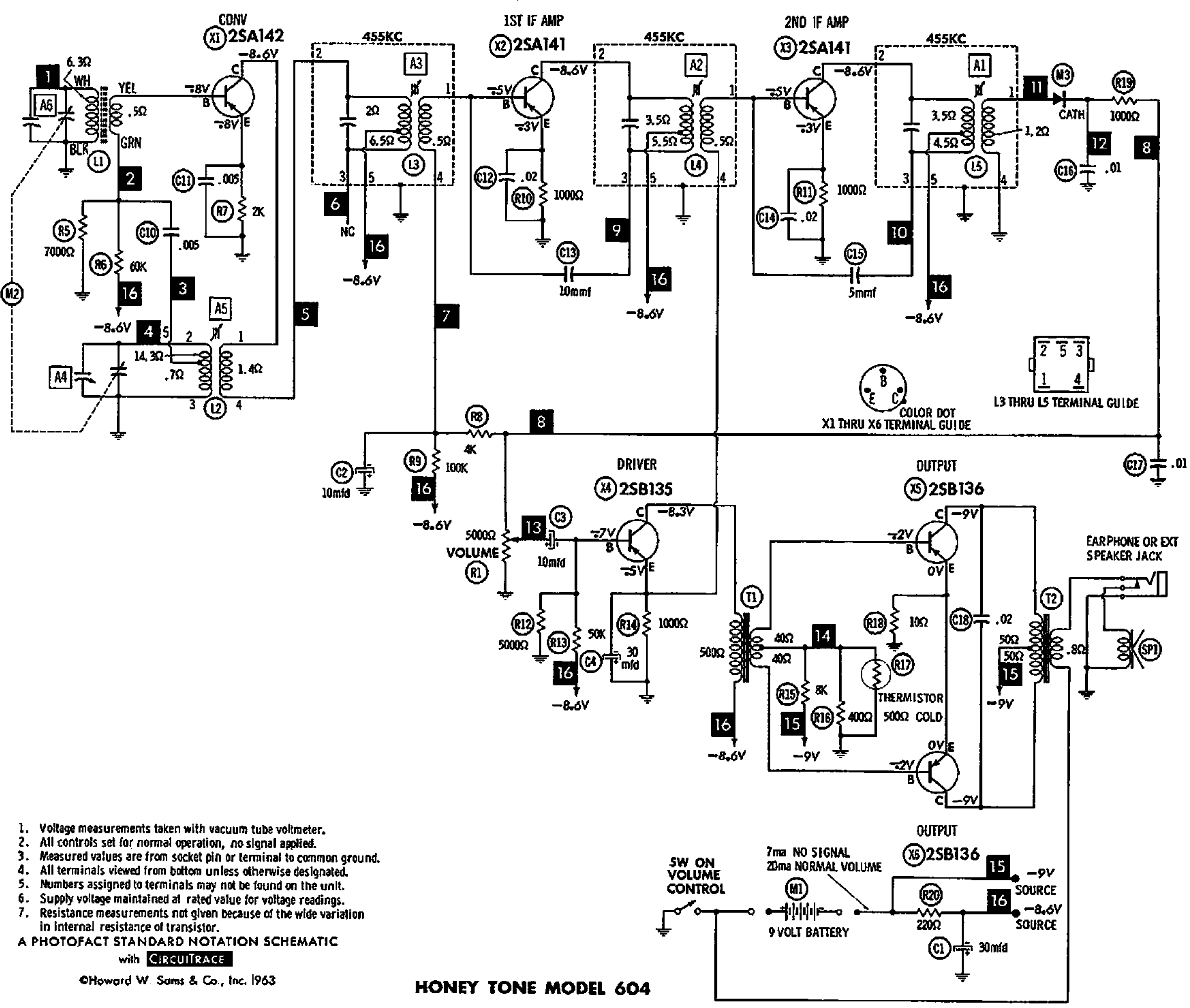
ALIGNMENT INSTRUCTIONS

Check for specified source voltage.
 Fashion loop of several turns of wire and connect generator across loop.
 Adjust output of generator to radiate only enough signal into receiver to obtain a suitable indication.
 Suggested Alignment Tools: A1, A2, A3 .. GENERAL CEMENT #5067, 8282, 8606
 WALSCO #2526, 2543
 A5 GENERAL CEMENT #9440
 WALSCO #2501
 A4, A6 GENERAL CEMENT #5000, 5066, 8280
 WALSCO #2512, 2525, 2528

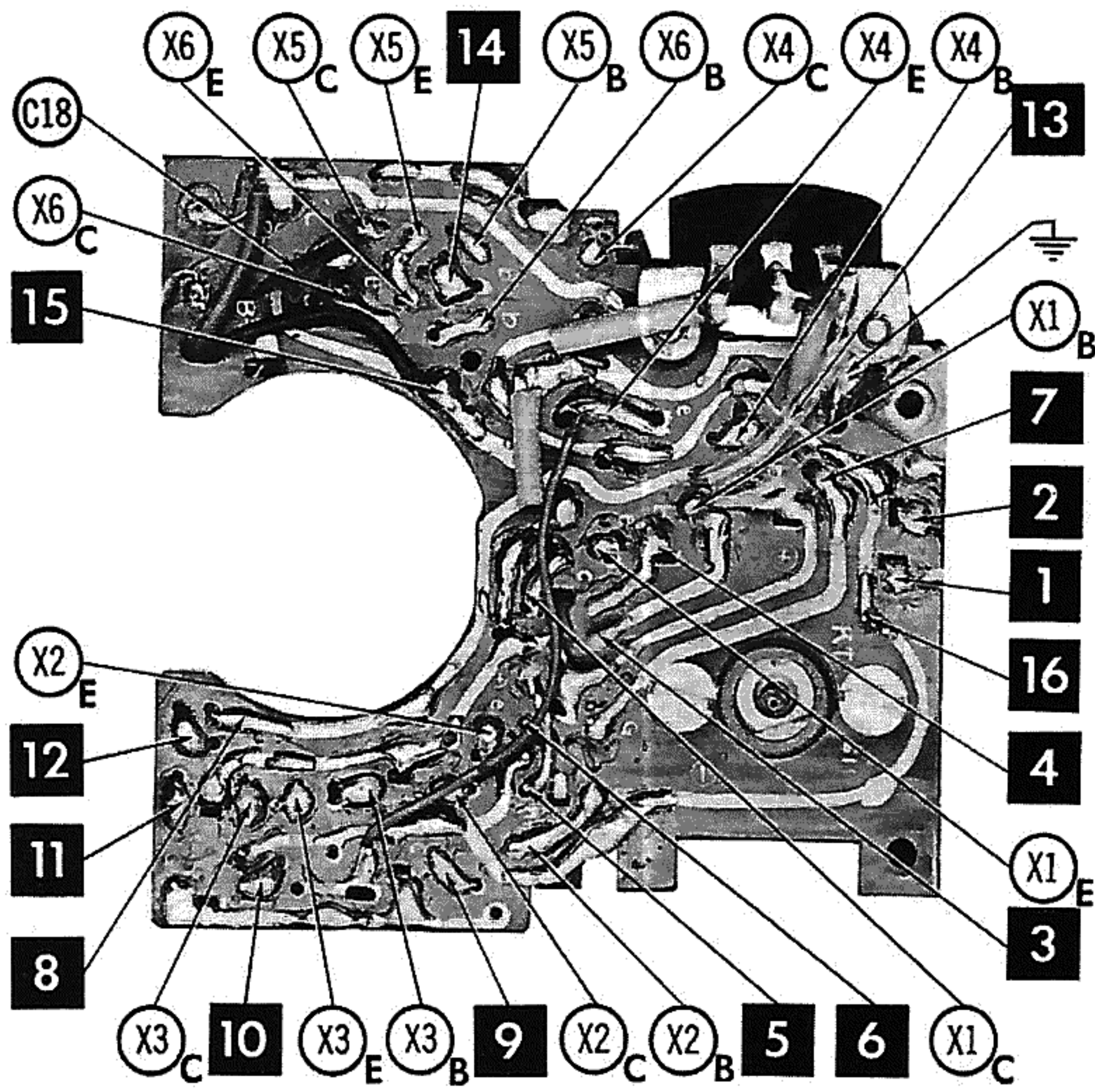
SIGNAL GENERATOR FREQUENCY	RADIO DIAL SETTING	INDICATOR	ADJUST	REMARKS
1. 455KC (400% Mod.)	Tuning gang fully open.	Output Meter across voice coil.	A1, A2, A3	Adjust for maximum. Repeat as required.
2. 1620KC	"	"	A4	Adjust for maximum.
3. 600KC	Tune to Signal.	"	A5	Rock tuning gang and adjust for maximum. Repeat steps 2 and 3.
4. 1400KC	"	"	A6	Adjust for maximum.



HOWARD W. SAMS & CO., INC. Indianapolis 6, Indiana



HONEY TONE MODEL 604



PARTS LIST A

TRANSISTORS

ITEM No.	ORIG. TYPE	USE	REPLACEMENT DATA			NOTES
			DELCO PART No.	GENERAL ELECTRIC PART No.	RCA PART No.	
X1	2SA142	Converter	DS-25	GE-1		PNP
X2	2SA141	1st IF Amplifier	DS-25	GE-1		PNP
X3	2SA141	2nd IF Amplifier	DS-25	GE-1		PNP
X4	2SB135	Driver	DS-26	GE-2	2N406	PNP
X5	2SB136	Output	DS-26	GE-2	2N408	PNP
X6	2SB136	Output	DS-26	GE-2	2N408	PNP

ELECTROLYTIC CAPACITORS

ITEM No.	RATING		REPLACEMENT DATA						
	CAP.	VOLT.	HONEYTONE PART No.	AEROVOX PART No.	CORNELL-DUBILIER PART No.	GENERAL ELECTRIC PART No.	GENERAL INSTRUMENT PART No.	MALLORY PART No.	SPRAGUE PART No.
C1	30	10							
C2	10	3		CRE207A	NLW10-3				TE-1053
C3	10	3		CRE207A	NLW10-3				TE-1053
C4	30	6							

FIXED CAPACITORS

ITEM No.	RATING	REMARKS	REPLACEMENT DATA					
			AEROVOX PART No.	CENTRALAB PART No.	CORNELL-DUBILIER PART No.	ELMENCO PART No.	MALLORY PART No.	SPRAGUE PART No.
C10	.005		TTD-005	CK-502	H1		TA-250	TG-D50
C11	.005		TTD-005	CK-502	H1		TA-250	TG-D50
C12	.02		TTD-02	CK-203	H3		TA-120	TG-S20
C13	10		NPO-DI 10	DTZ-10	C10Q1C	CCTO-100	CNO-410	10TCC-Q10
C14	.02		TTD-02	CK-203	H3		TA-120	TG-S20
C15	5mmf		NPO-DI4.7	DTZ-4R7	C10V47C	CCTO-050	CNO-547	10TCC-V50
C16	.01		TTD-01	CK-103	H2		TA-110	TG-S10
C17	.01		TTD-01	CK-103	H2		TA-110	TG-S10
C18	.02		TTD-02	CK-203	H3		TA-120	TG-S20

CONTROLS

All wattages 1/2 watt, or less, unless otherwise listed.

ITEM No.	USE	RESISTANCE	REPLACEMENT DATA				
			HONEYTONE PART No.	CENTRALAB PART No.	CLAROSTAT PART No.	CTS-IRC PART No.	MALLORY PART No.
R1	Volume and Switch	5000Ω		B16-214(1)			

(1) Use original knob.

COILS (RF-IF)

ITEM No.	USE	REPLACEMENT DATA					NOTES
		HONEYTONE PART No.	MERIT PART No.	MILLER PART No.	STANCOR PART No.	WORKMAN PART No.	
L1	Loopstick						
L2	Osc.						
L3	1st IF		BC-569				
L4	2nd IF		BC-570				
L5	3rd IF		BC-571				

D DESCRIPTION

TRANSFORMER (AUDIO OUTPUT)

ITEM No.	IMPEDANCE		REPLACEMENT DATA					NOTES
			HONEYTONE PART No.	MERIT PART No.	STANCOR PART No.	THORDARSON PART No.	TRIAD PART No.	
	PRI.	SEC.						
T2	800Ω	6-8Ω						

TRANSFORMER (DRIVER)

ITEM No.	TURNS RATIO		REPLACEMENT DATA					NOTES
			HONEYTONE PART No.	MERIT PART No.	STANCOR PART No.	THORDARSON PART No.	TRIAD PART No.	
	PRI.	SEC.						
T1	3.5	1						

SPEAKER

ITEM No.	TYPE			REPLACEMENT DATA		NOTES
				HONEYTONE PART No.	QUAM PART No.	
SP1	2"	PM	8Ω			

BATTERIES

ITEM No.	VOLTAGE	HONEYTONE PART No.	REPLACEMENT DATA			NOTES
			BURGESS	EVEREADY	MALLORY	
M1	9V		2U6 or H146	216 or E146	M-1604 or MNI604 or TR-146	

MISCELLANEOUS

ITEM No.	PART NAME	HONEYTONE PART No.	NOTES
M2 M3	Tuning Cap Det Diode	PVC-2M	2 Gang

CABINETS & CABINET PARTS

(When Ordering Specify Model, Chassis & Color)

WIRING DATA

General-use Unshielded Hook-up Wire	Use BELDEN No. 8530 (Solid 22AWG) 8524 (Stranded 22AWG) 8570 (Stranded 26AWG)	Available in 12 Colors
---	---	------------------------