

**HITACHI
MODEL TH-759**

DC COIL RESISTANCE VALUES UNDER ONE OHM NOT SHOWN ON SCHEMATIC DIAGRAM

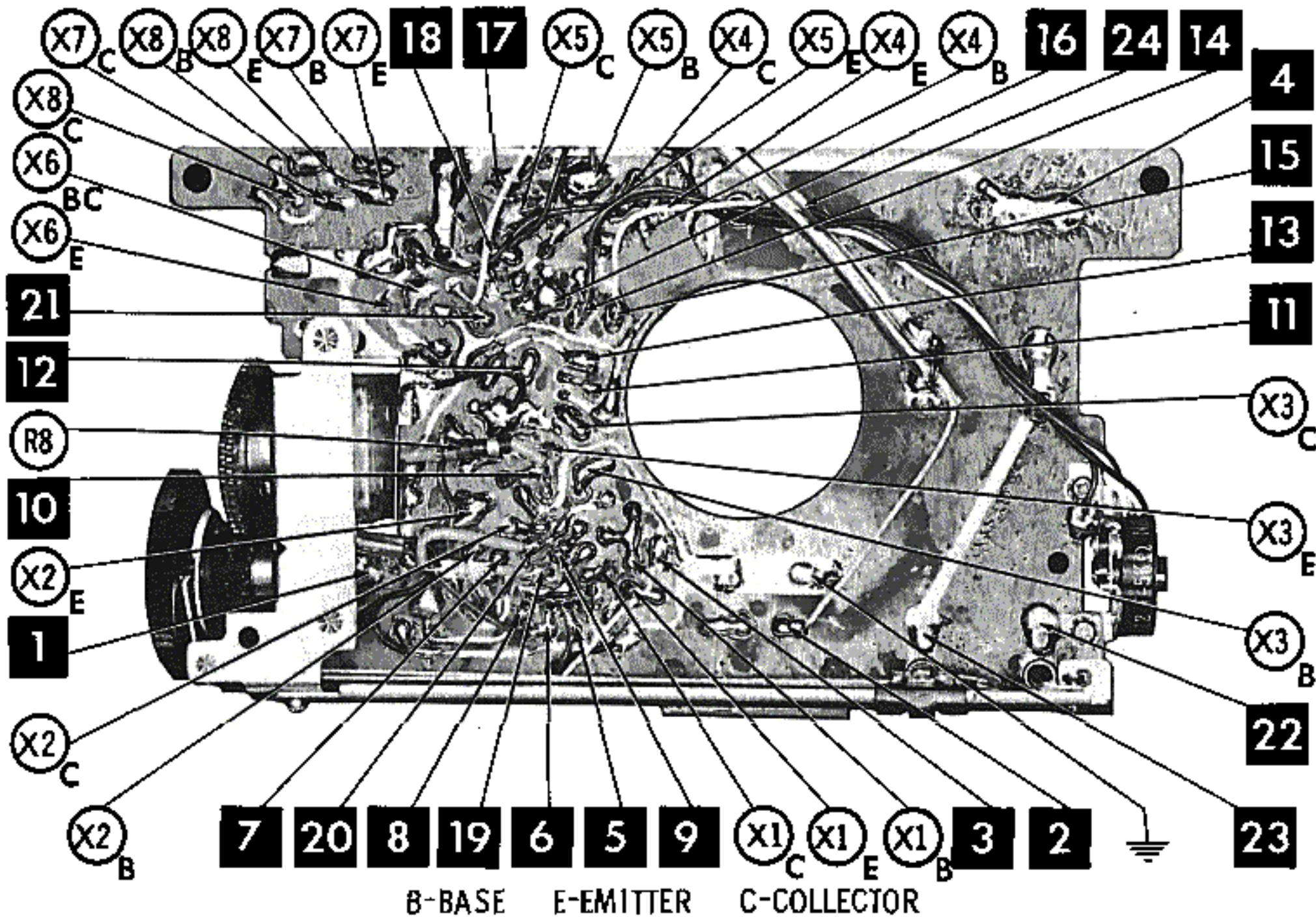
1. DC voltage measurements taken with vacuum tube voltmeter.
2. Socket connections or transistor terminals are shown as bottom views.
3. Measured values are from socket pin or terminal to common ground.
4. Nominal tolerance on component values makes possible a variation of ±15% in voltage and resistance readings.
5. Volume control at maximum, no signal applied for voltage measurements.

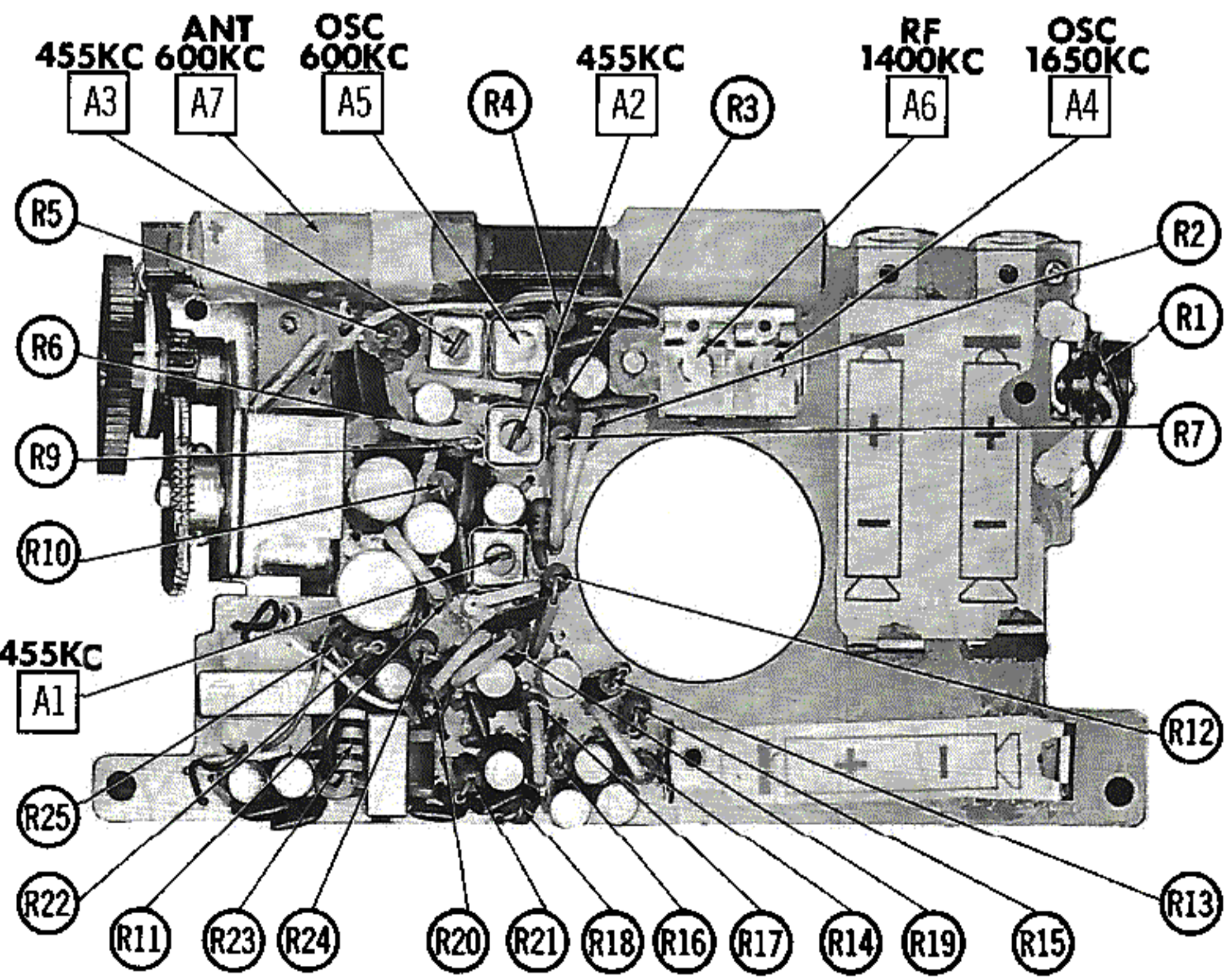
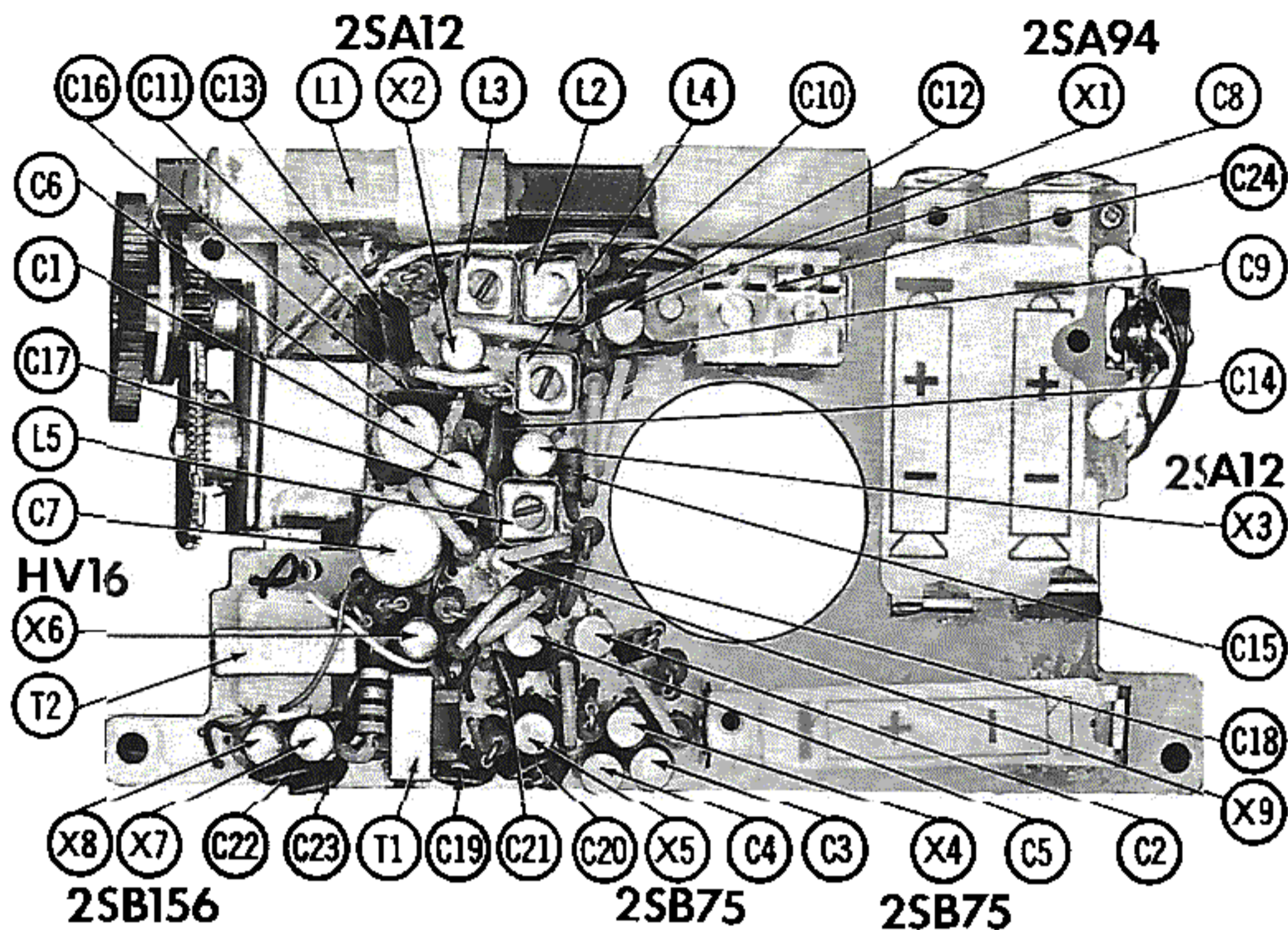
A PHOTOFACT STANDARD NOTATION SCHEMATIC with CIRCUITRACE®

© Howard W. Sams & Co., Inc. 1962

RESISTANCE MEASUREMENTS NOT GIVEN BECAUSE OF THE WIDE VARIATION IN INTERNAL TRANSISTOR RESISTANCE.

NUMBERS ASSIGNED TO COILS, SWITCHES, PLUGS, SOCKETS, AND TRANSFORMERS ARE TO FACILITATE CIRCUIT TRACING OR COMPONENT REPLACEMENT AND MAY NOT NECESSARILY BE FOUND ON THE UNIT.





CHASSIS - TOP VIEW

PARTS LIST AND

WIRING DATA

General-use Unshielded Hook-up Wire Use BELDEN No. 8530 (Solid 22AWG) Available
 8524 (Stranded 22AWG) in
 8570 (Stranded 26AWG) 12 Colors

TRANSISTORS

ITEM No.	ORIG. TYPE	USE	REPLACEMENT DATA		NOTES
			RCA PART No.	RAYTHEON PART No.	
X1	2SA94	Converter			PNP
X2	2SA12	1st IF Amplifier	2N410		PNP
X3	2SA12	2nd IF Amplifier	2N410		PNP
X4	2SB75	AF Amplifier	2N406		PNP
X5	2SB75	Driver	2N406		PNP
X6	HV-16	Bias Regulator	1N2326		Diode Connected
X7	2SB156	Output	2N408		PNP
X8	2SB156	Output	2N408		PNP

POWER RECTIFIERS & SIGNAL DIODES

ITEM No.	CURRENT RATING (Measured)	ORIGINAL Part or Type No.	RECTIFIERS		DIODES	NOTES
			RCA PART No.	SARKES TARZIAN PART No.	RAYTHEON PART No.	
X9 X10		1N34A 1N34A			1N34A 1N34A	Overload Detector

ELECTROLYTIC CAPACITORS

ITEM No.	RATING		REPLACEMENT DATA						
	CAP.	VOLT.	HITACHI PART No.	AEROVOX PART No.	CORNELL-DUBILIER PART No.	GENERAL ELECTRIC PART No.	MALLORY PART No.	PYRAMID PART No.	SPRAGUE PART No.
C1	20	3		PTT8	NLW20-6	MT1-10	TT3X25	MLV20-12	TE-1054
C2	5	3		PTT4	NLW5-15	MT1-3	TT6X5	MLV5-3	TE-1052.2
C3	3	3		PTT3	NLW4-15	MT1-3	TT6X3	MLV5-3	TE-1052
C4	5	3		PTT4	NLW5-15	MT1-3	TT6X5	MLV5-3	TE-1052.2
C5	10	3		PTT6	NLW10-6	MT1-5	TT3X10	MLV10-3	TE-1053
C6	50	6		PTT29	NLW50-6	MT1-15	TT6X50	MLV50-6	TE-1100
C7A	20	10							
B	3	10							

FIXED CAPACITORS

ITEM No.	RATING	REMARKS	REPLACEMENT DATA					
			AEROVOX PART No.	CENTRALAB PART No.	CORNELL-DUBILIER PART No.	ELMENCO PART No.	MALLORY PART No.	SPRAGUE PART No.
C8	5		NPO-SI 5.0	TCZ-4R7	C10V5C	CCTO-050	CNO-547	10TCC-V50

DESCRIPTIONS

FIXED CAPACITORS (cont)

ITEM No.	RATING	REMARKS	REPLACEMENT DATA					
			AEROVOX PART No.	CENTRALAB PART No.	CORNELL-DUBILIER PART No.	ELMENCO PART No.	MALLORY PART No.	SPRAGUE PART No.
C9	.01		C80V103AM	DM-103	H-05S1		TA-110	TG-S19
C10	.005		C80V502AM	DM-502	H-05D5	CCD-502	TA-250	TG-D50
C11	.04							
C12	8				C10V6C			
C13	.04							
C14	.04							
C15	3		NPO-SI 3.0	TCZ-3R3	C10V3C	CCTO-3R3	CNO-533	10TCC-V33
C16	.04							
C17	.02		C80V203AM	DA-203	H-05S2		TA-120	TG-S20
C18	.02		C80V203AM	DA-203	H-05S2		TA-120	TG-S20
C19	.01		C80V103AM	DM-103	H-05S1		TA-110	TG-S10
C20	.01		C80V103AM	DM-103	H-05S1		TA-110	TG-S10
C21	.005		C80V502AM	DM-502	H-05E5	CCD-502	TA-250	TG-D50
C22	.005		C80V502AM	DM-502	H-05D5	CCD-502	TA-250	TG-D50
C23	.005		C80V502AM	DM-502	H-05D5	CCD-502	TA-250	TG-D50
C24A B								

CONTROLS

All wattages 1/2 watt, or less, unless otherwise listed.

ITEM No.	USE	RESISTANCE	REPLACEMENT DATA				
			HITACHI PART No.	CENTRALAB PART No.	CLAROSTAT PART No.	CTS-IRC PART No.	MALLORY PART No.
R1	Volume & Switch	5000Ω	35.12				

RESISTORS

All wattages 1/2 watt, or less, unless otherwise listed.

ITEM No.	RATING	REPLACEMENT DATA			ITEM No.	RATING	REPLACEMENT DATA		
		IRC PART No.	WORKMAN PART No.	REMARKS			IRC PART No.	WORKMAN PART No.	REMARKS
R2	27K				R14	3900Ω			
R3	4700Ω				R15	820Ω			
R4	1000Ω				R16	3900Ω			
R5	56K				R17	22K			
R6	1000Ω				R18	4700Ω			
R7	2200Ω				R19	270Ω			
R8	8200Ω				R20	4.7Ω			
R9	2200Ω				R21	56K			
R10	390Ω				R22	1000Ω			
R11	10K				R23	3.3Ω			
R12	1500Ω				R24	2200Ω			
R13	27K				R25	100Ω			

PARTS LIST AND DESC

COILS (RF-IF)

ITEM No.	USE	REPLACEMENT DATA					NOTES
		HITACHI PART No.	Merit PART No.	Miller PART No.	Stancor PART No.	Workman PART No.	
L1	Loopstick						
L2	Osc.						
L3	1st IF						
L4	2nd IF						
L5	3rd IF						

TRANSFORMER (DRIVER)

ITEM No.	TURNS RATIO		REPLACEMENT DATA					NOTES
	PRI.	SEC.	HITACHI PART No.	Merit PART No.	Stancor PART No.	Thordarson PART No.	Triad PART No.	
T1	1.5	1	441019					

TRANSFORMER (AUDIO OUTPUT)

ITEM No.	IMPEDANCE		REPLACEMENT DATA					NOTES
	PRI.	SEC.	HITACHI PART No.	Merit PART No.	Stancor PART No.	Thordarson PART No.	Triad PART No.	
T2	250 Ω CT	10-12 Ω	451023	A-2705				

SPEAKER

ITEM No.	TYPE			REPLACEMENT DATA		NOTES
	SIZE	FIELD	V. C. IMP.	HITACHI PART No.	QUAM PART No.	
SP1	2 $\frac{1}{2}$ " x 3 $\frac{1}{2}$ "	PM	10-12 Ω	526007		

BATTERIES

ITEM No.	VOLTAGE	HITACHI PART No.	REPLACEMENT DATA						NOTES
			BURGESS		EVEREADY		MALLORY		
			"A"	"B"	"A"	"B"	"A"	"B"	
M1	1 $\frac{1}{2}$ V			930		1015		M-15R	3 Required

DIAGRAMS (Continued)

MISCELLANEOUS

ITEM No.	PART NAME	HITACHI PART No.	NOTES
M2	Tuning Cap.		2 Gang

DIAL CORD STRINGING

