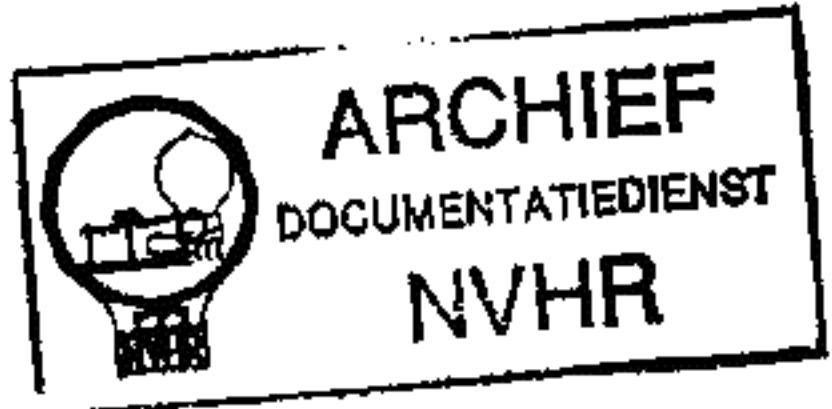




**PHOTOFACT®**



**TRADE NAME:** General Electric Models  
 P895A<sub>1</sub>/A<sub>2</sub>/B<sub>1</sub>/B<sub>2</sub>/C<sub>1</sub>/C<sub>2</sub>/D<sub>1</sub>/D<sub>2</sub>/E<sub>1</sub>/  
 E<sub>2</sub>/E<sub>3</sub>/E<sub>4</sub>/H/K  
 P910A<sub>1</sub>/A<sub>2</sub>/B<sub>1</sub>/B<sub>2</sub>/C<sub>1</sub>/C<sub>2</sub>/D<sub>1</sub>/D<sub>2</sub>/E<sub>1</sub>/  
 E<sub>2</sub>/E<sub>3</sub>/E<sub>4</sub>/H/K

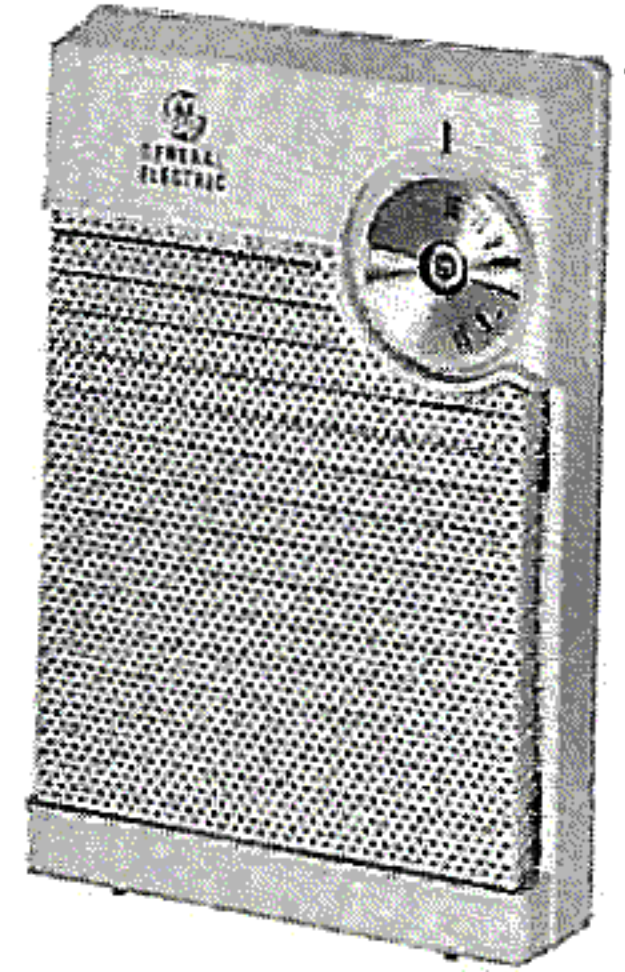
**SUPPLIER:** General Electric Company  
 Product Service, Radio Receiver Dept.  
 1001 Broad Street, Utica, N. Y.

**TYPE SET:** 6 Transistor AM Receiver

**POWER SUPPLY:** 3 Volts DC

**RATING:** 16MA @ 3 VDC  
 25MA @ 3 VDC

**TUNING RANGE:** BROADCAST 540 - 1620KC



## ALIGNMENT INSTRUCTIONS

Check for specified source voltage.

Fashion loop of several turns of wire and connect generator across loop.

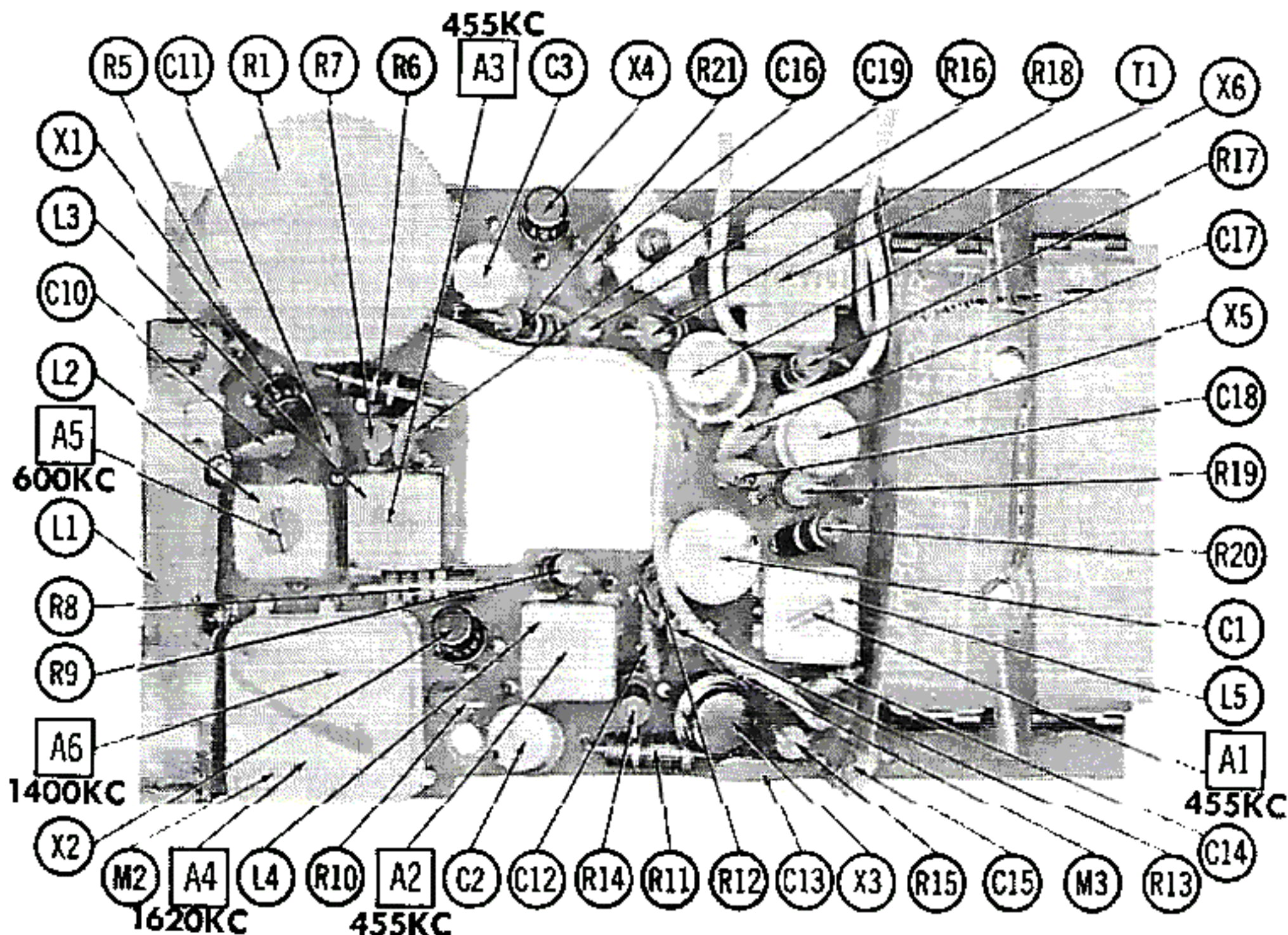
Adjust output of generator to radiate only enough signal into receiver to obtain a suitable indication.

Suggested Alignment Tools:

A1, A2, A3, A5..... GENERAL CEMENT #5067, 8282, 8606... WALSCO #2526, 2543

A4, A6..... GENERAL CEMENT #5000, 5066, 8290... WALSCO #2512, 2525, 2528

	SIGNAL GENERATOR FREQUENCY	RADIO DIAL SETTING	INDICATOR	ADJUST	REMARKS
1.	455KC (400v Mod.)	Tuning gang fully open.	Output Meter across voice coil.	A1, A2, A3	Adjust for maximum. Repeat as required.
2.	1620KC	"	"	A4	Adjust for maximum.
3.	600KC	Tune to Signal.	"	A5	Rock tuning gang and adjust for maximum. Repeat steps 2 and 3.
4.	1400KC	"	"	A6	Adjust for maximum.





## TRANSISTORS

ITEM No.	ORIG. TYPE	USE	REPLACEMENT DATA			NOTES	G. E. PART No.
			DELCO PART No.	GENERAL ELECTRIC PART No.	RCA PART No.		
X1		Converter	DS-25	GE-1		PNP	RS-3857①
X2		1st IF Amp.	DS-25	GE-1		PNP	RS-3862②
X3		2nd IF Amp.	DS-25	GE-1		PNP	RS-3863③
X4		Driver	DS-26	GE-2	2N408	PNP	RS-3864④
X5		Output	DS-26	GE-2	2N408	PNP	RS-57042⑤
X6		Output	DS-26	GE-2	2N408	PNP	RS-57042⑤

- ① Versions A<sub>2</sub>, B<sub>1</sub>, C<sub>2</sub>, D<sub>1</sub>, E<sub>2</sub>, H use #RS-3868 in this application.  
Versions E<sub>3</sub>, E<sub>4</sub>, K use #RS-5104 in this application.
- ② Versions E<sub>4</sub>, H use #RS-5201 in this application.  
Version K uses #RS-5201, RS-5202, RS-5203 in this application.
- ③ Versions E<sub>4</sub>, H use #RS-5301 or RS-5303 in this application.  
Version K uses #RS-5301, RS-5303, RS-5310 in this application.
- ④ Some versions may use #RS-5504 in this application.
- ⑤ Some versions may use #RS-5704 or RS-5710 in this application. Replace with original.

## ELECTROLYTIC CAPACITORS

ITEM No.	RATING		REPLACEMENT DATA						
	CAP.	VOLT.	G. E. PART No.	AEROVOX PART No.	CORNELL-DUBILIER PART No.	GENERAL ELECTRIC PART No.	GENERAL INSTRUMENT PART No.	MALLORY PART No.	SPRAGUE PART No.
C1	90	5	RS-3412						
C2	8	15	RS-2285	CRE456A	NLW10-15	MT1-5			TE-1154
C3	1	15	RS-3489	CRE450A	NLW1-50	MT1-1			TE-1148

## FIXED CAPACITORS

ITEM No.	RATING	REMARKS	REPLACEMENT DATA					
			AEROVOX PART No.	CENTRALAB PART No.	CORNELL-DUBILIER PART No.	ELMENCO PART No.	MALLORY PART No.	SPRAGUE PART No.
C10	.01		TTD-01	CK-103	H2		TA-110	TG-S10
C11	.005	(.01) †	TTD-005	CK-502	H1		TA-250	TG-D50
C12	.01		TTD-01	CK-103	H2		TA-110	TG-S10
C13	.05	(.01) †	TTD-05	CK-503	H5		TA-150	TG-S50
C14	.01		TTD-01	CK-103	H2		TA-110	TG-S10
C15	.05		TTD-05	CK-503	H5		TA-150	TG-S50
C16	.002	Note 1		DM-202				
C17	.05		TTD-05	CK-503	H5		TA-150	TG-S50
C18	.05	Note 1	TTD-05	CK-503	H5		TA-150	TG-S50
C19	.01	(.05, .005) †	TTD-01	CK-103	H2		TA-110	TG-S10

† Value used in some versions.  
Note 1. Not used in some versions.

## CONTROLS

All wattages 1/2 watt, or less, unless otherwise listed.

ITEM No.	USE	RESISTANCE	REPLACEMENT DATA				
			G. E. PART No.	CENTRALAB PART No.	CLAROSTAT PART No.	CTS-IRC PART No.	MALLORY PART No.
R1	Volume & Switch	10K	RS-4326①				

① Part #RS-4707 used in B, H, and K versions.

# D DESCRIPTION

## COILS (RF-IF)

ITEM No.	USE	REPLACEMENT DATA					NOTES
		G. E. PART No.	MERIT PART No.	MILLER PART No.	STANCOR PART No.	WORKMAN PART No.	
L1	Loopstick Osc. 1st IF 2nd IF 3rd IF	RS-4322					
L2		RS-4323					
L3		RS-2977					
L4		RS-2978					
L5		RS-2979					

## TRANSFORMER (DRIVER)

ITEM No.	TURNS RATIO		REPLACEMENT DATA					NOTES
	PRI.	SEC.	G. E. PART No.	MERIT PART No.	STANCOR PART No.	THORDARSON PART No.	TRIAD PART No.	
T1	1	1	RS-4324					

## SPEAKER

ITEM No.	TYPE	REPLACEMENT DATA		NOTES
		G. E. PART No.	QUAM PART No.	
SP1	2" Magnetic 15-20Ω CT	RS-1393		

## BATTERIES

ITEM No.	VOLTAGE	G. E. PART No.	REPLACEMENT DATA			NOTES
			BURGESS	EVEREADY	MALLORY	
M1	3V		930 (or AL-9, Hg-9)	1015 (or E9, E91)	M-15R (or MN1500, ZM-9)	2 Required

## MISCELLANEOUS

ITEM No.	PART NAME	G. E. PART No.	NOTES
M2 M3	Tuning Cap. Detector	RS-4325 RS-1811	

## CABINETS & CABINET PARTS

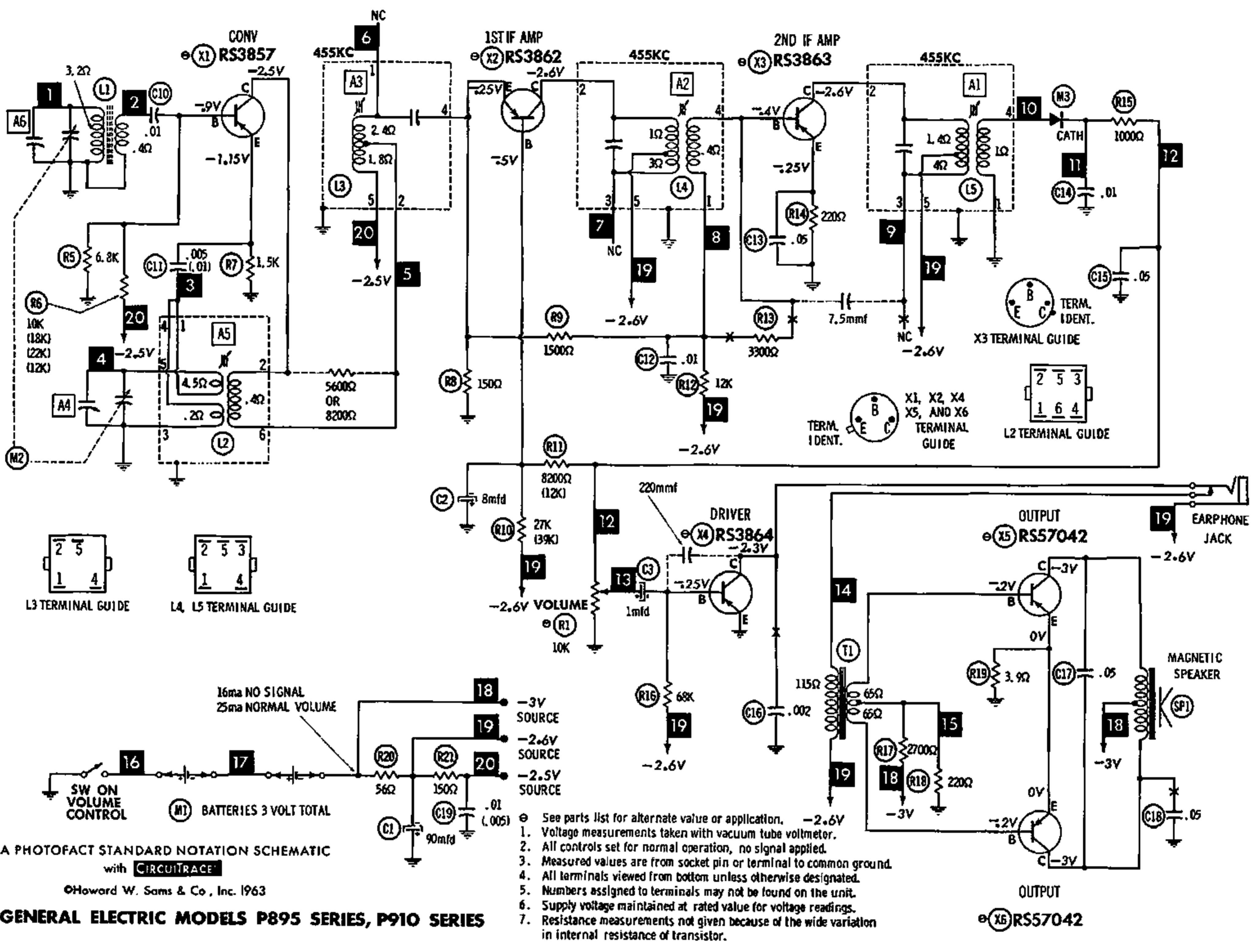
(When Ordering Specify Model, Chassis & Color)

ITEM	PART No.	ITEM	PART No.
Knob - Tuning, Model 910	RS-4607	Cabinet Front, Model P910	RB-1389
Knob - Tuning, Model P895	RS-4704	Cabinet Front, Model P895	RB-1432
Knob - Volume, Models P910A, C, D, E	RS-4538	Cabinet Back, Model P910	RB-1391
Knob - Volume, Models P910B, H, K	RS-4709	Cabinet Back, Model P895	RB-1433
Knob - Volume, Model P895	RS-4705		

## WIRING DATA

General-use Unshielded Hook-up Wire .....	Use BELDEN No. 8530 (Solid 22AWG)	Available
	8524 (Stranded 22AWG)	in
	8570 (Stranded 26AWG)	12 Colors





A PHOTOFAC STANDARD NOTATION SCHEMATIC  
with **CIRCUTRACE**

©Howard W. Sams & Co., Inc. 1963

**GENERAL ELECTRIC MODELS P895 SERIES, P910 SERIES**

