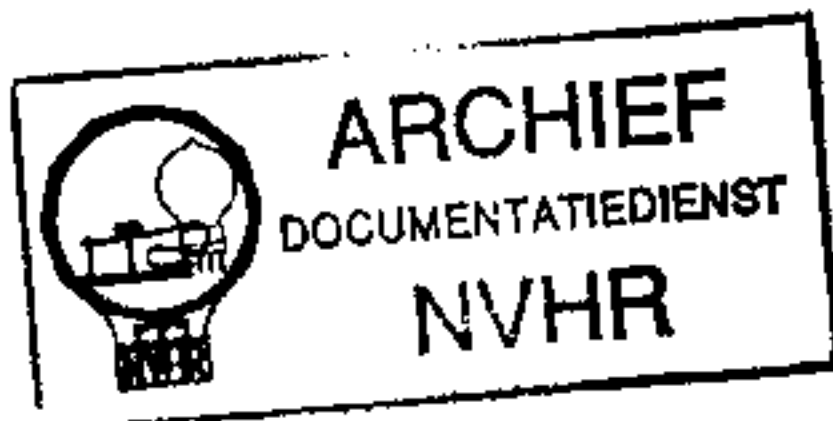


PHOTOFACT® Folder

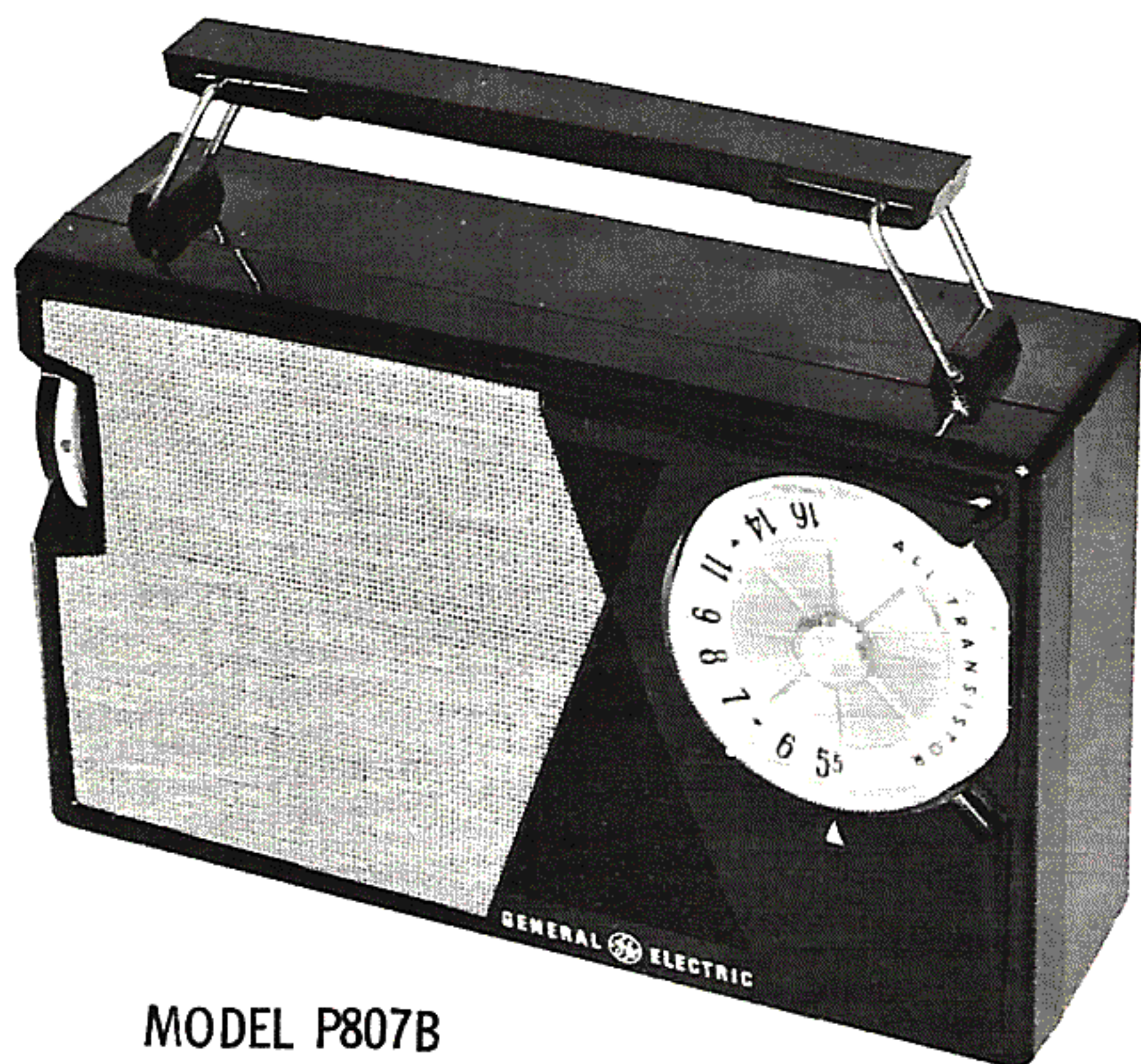
with CIRCUITRACE®

GENERAL ELECTRIC MODELS
P807B/E, P808B/E, P809E

Ned. Ver. v. Historie v/d Radio



Met dank aan Jef Bos



MODEL P807B

TRADE NAME	General Electric Models P807B, P807E, P808B, P808E, P809E		
MANUFACTURER	General Electric Co., Product Service, Radio Receiver Dept., 1001 Broad Street, Utica, N. Y.		
TYPE SET	Battery Operated Transistorized Portable AM Receiver		
POWER SUPPLY	9 Volts DC	RATING	25 MA @ 9 Volts DC
TUNING RANGE—BROADCAST	540 — 1630KC		

ALIGNMENT INSTRUCTIONS

ALIGNMENT INSTRUCTIONS—READ CAREFULLY BEFORE ATTEMPTING ALIGNMENT

Volume control should be at maximum position. Output of signal generator should be no higher than necessary to obtain an output reading.

Suggested Alignment Tools:

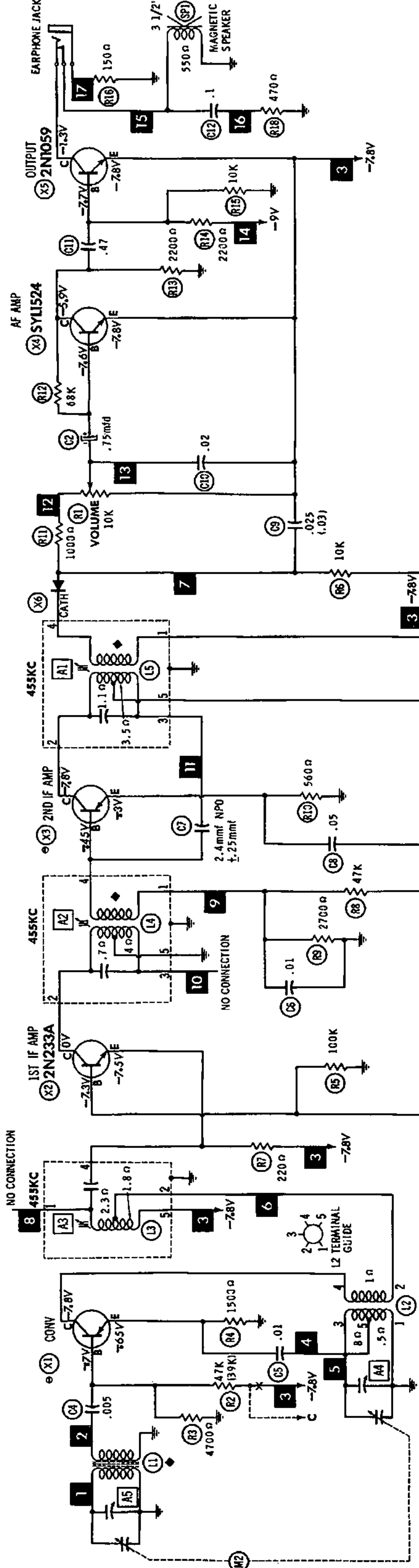
A1, A2, A3.....	GENERAL CEMENT #5009, 8195, 8274, 8275, 872B, 8729, 8987, 8988, 8989 WALSCO #2515, 2531, 2532
A4, A5.....	GENERAL CEMENT #5004, 5008, 5009 WALSCO #2520

	SIGNAL GENERATOR COUPLING	SIGNAL GENERATOR FREQUENCY	RADIO DIAL SETTING	OUTPUT METER	ADJUST	REMARKS
1.	Fashion loop of several turns of wire and radiate signal into loop of receiver.	455KC (400% Mod.)	Tuning gang fully open.	Across voice coll.	A1, A2, A3	Adjust for maximum output.
2.	"	1630KC	"	"	A4	"
3.	"	1400KC	1400KC	"	A5	"

HOWARD W. SAMS & CO., INC. Indianapolis 6, Indiana

The listing of any available replacement part herein does not constitute in any case a recommendation, warranty or guaranty by Howard W. Sams & Co., Inc., as to the quality and suitability of such replacement part. The numbers of these parts have been compiled from information furnished to Howard W. Sams & Co., Inc., by the manufacturers of LF211

the particular type of replacement part listed. Reproduction or use, without express permission, of editorial or pictorial content, in any manner, is prohibited. No patent liability is assumed with respect to the use of the information contained herein. ©1962 Howard W. Sams & Co., Inc., Indianapolis 6, Indiana. Printed in U.S. of America

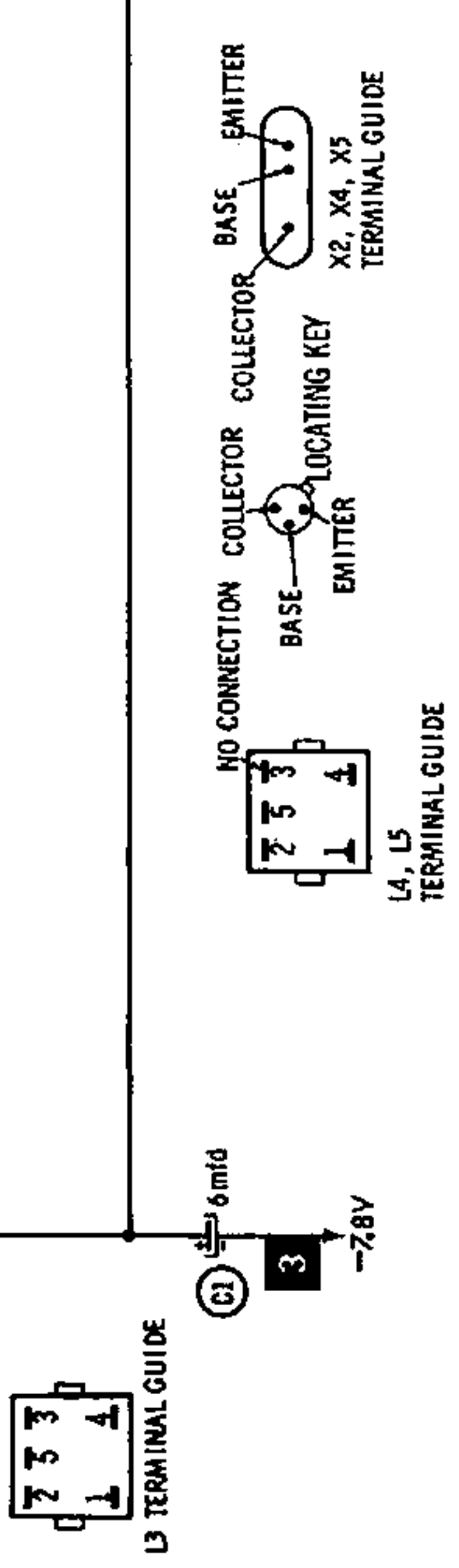


**GENERAL ELECTRIC MODELS
P807B/E, P808B/E, P809E**

- ① SEE PARTS LIST FOR ALTERNATE VALUE OR APPLICATION
- ◆ DC COIL RESISTANCE VALUES UNDER ONE OHM NOT SHOWN ON SCHEMATIC DIAGRAM
- 1. DC voltage measurements taken with vacuum tube voltmeter.
- 2. Socket connections or transistor terminals are shown as bottom views.
- 3. Measured values are from socket pin or terminal to common ground.
- 4. Nominal tolerance on component values makes possible a variation of ±15% in voltage and resistance readings.
- 5. Volume control at maximum, no signal applied for voltage measurements.

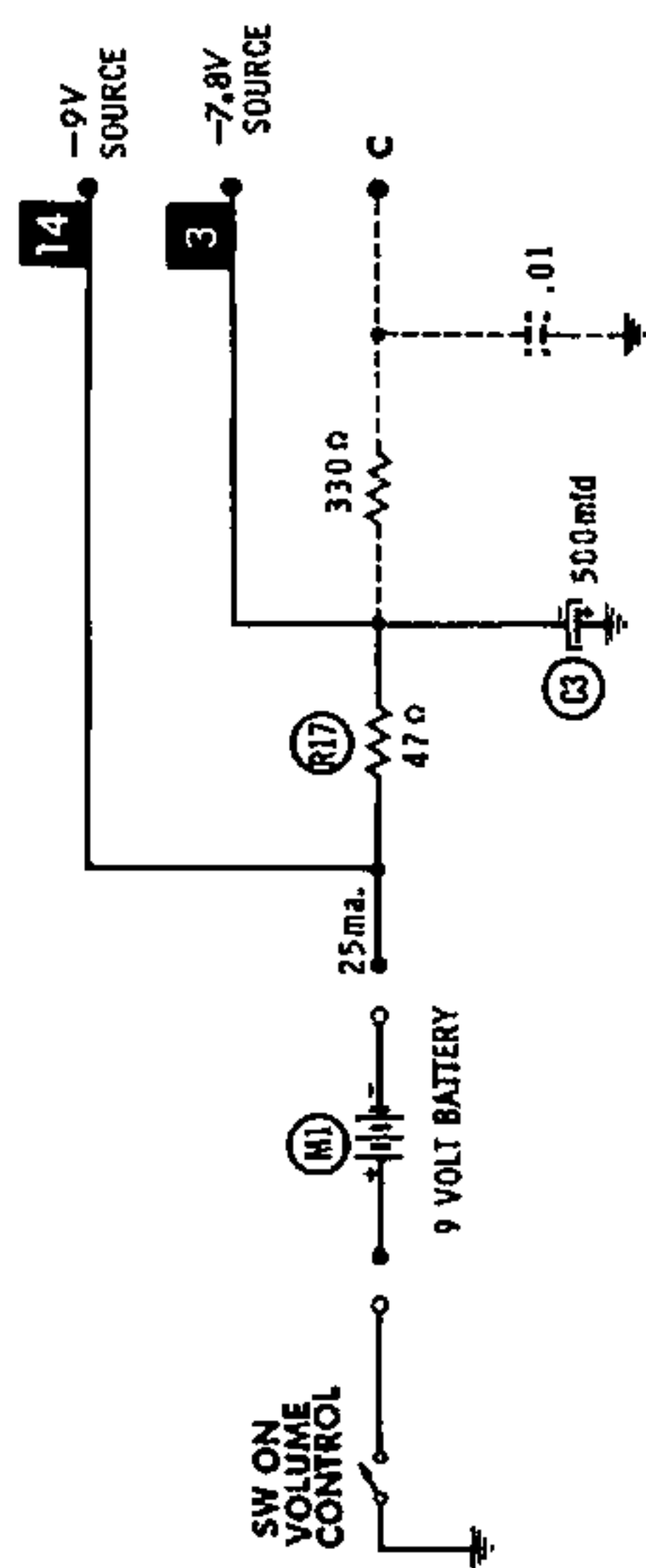
**A PHOTOFACT STANDARD NOTATION SCHEMATIC
with CIRCUTRAGE™**

© Howard W. Sams & Co., Inc. 1962



RESISTANCE MEASUREMENTS NOT GIVEN BECAUSE OF THE WIDE VARIATION IN INTERNAL TRANSISTOR RESISTANCE.

NUMBERS ASSIGNED TO COILS, SWITCHES, PLUGS, SOCKETS, AND TRANSFORMERS ARE TO FACILITATE CIRCUIT TRACING OR COMPONENT REPLACEMENT AND MAY NOT NECESSARILY BE FOUND ON THE UNIT.



PARTS LIST AND DESCRIPTIONS

TRANSISTORS

ITEM No.	ORIG. TYPE	USE	REPLACEMENT DATA		NOTES
			RCA PART No.	RAYTHEON PART No.	
X1	RS2688*	Converter 1st IF Amplifier	2N412	2N486	PNP
X2	2N233A			2N1367	
X3	RS1532*	2nd IF Amplifier AF Amplifier	2N410	2N483	NPN
X4	SYL1524				2N649
X5	RS1513*	Output	2N649		NPN
	2N1059				NPN
	RS1549*				NPN

* General Electric Part Number.

POWER RECTIFIERS & SIGNAL DIODES

ITEM No.	CURRENT RATING (Measured)	ORIGINAL Part or Type No.	RECTIFIERS		DIODES	NOTES
			RCA PART No.	SARKES TARZIAN PART No.	RAYTHEON PART No.	
X6		RS-1811			1N64	Detector

ELECTROLYTIC CAPACITORS

ITEM No.	RATING		G. E. PART No.	REPLACEMENT DATA					
	CAP.	VOLT.		AEROVOX PART No.	CORNELL-DUBILIER PART No.	GENERAL ELECTRIC PART No.	MALLORY PART No.	PYRAMID PART No.	SPRAGUE PART No.
C1	6	15	RS-2614	PTT84	NLW6-16	MT1-5	TT25X6	MLV5-15	TE-1153
C2	.75	50	RS-2083	PTT87	NLW1-50	MT1-1	TT150X1	MLV1-150	TE-1300
C3	500	12	RS-2232	PRSH70	BR5001	QT1-30	TC1505	TD-500-15	TVA-1132

FIXED CAPACITORS

ITEM No.	RATING	REMARKS	REPLACEMENT DATA						
			AEROVOX PART No.	CENTRALAB PART No.	CORNELL-DUBILIER PART No.	ELMENCO PART No.	MALLORY PART No.	SPRAGUE PART No.	
C4	.005	(.03) *	BPD-005	DD-502	BYA10D5	CCD-502	B-250	5HK-D50	
C5	.01		BPD-01	DD-103	BYA10S1	CCD-103	B-110	5HK-S10	
C6	.01		BPD-01	DD-103	BYA10SI	CCD-103	B-110	5HK-S10	
C7	2.4 NPO \pm .25mmf		NPO-SI 2, 2	DTZ-2R2	C10V22C	CCTO-2R2	CNO-522	10TCC-V22	
C8	.05		BPD-05	DD-503	CUB2S5	IDP-2-503	GPI50	5HK-S50	
C9	.025					IDP-1-253	BT-125	5HK-S25	
C10	.02			BPD-02	DD-203	BYB6S2	CCD-203	B-120	5HK-S20
C11	.47 100V			P288N-47		CUB2P47	IDP-4-474	GEM-2047	2TM-P47
C12	.1 50V			P288N-1	DF-104	CUB2P1	IDP-2-104	GEM-201	2TM-P10

* Alternate Value.

CONTROLS

All wattages 1/2 watt, or less, unless otherwise listed.

ITEM No.	USE	RESISTANCE	REPLACEMENT DATA				
			G. E. PART No.	CENTRALAB PART No.	CLAROSTAT PART No.	CTS-IRC PART No.	MALLORY PART No.
R1	Volume & Switch	10K	RS-1587				

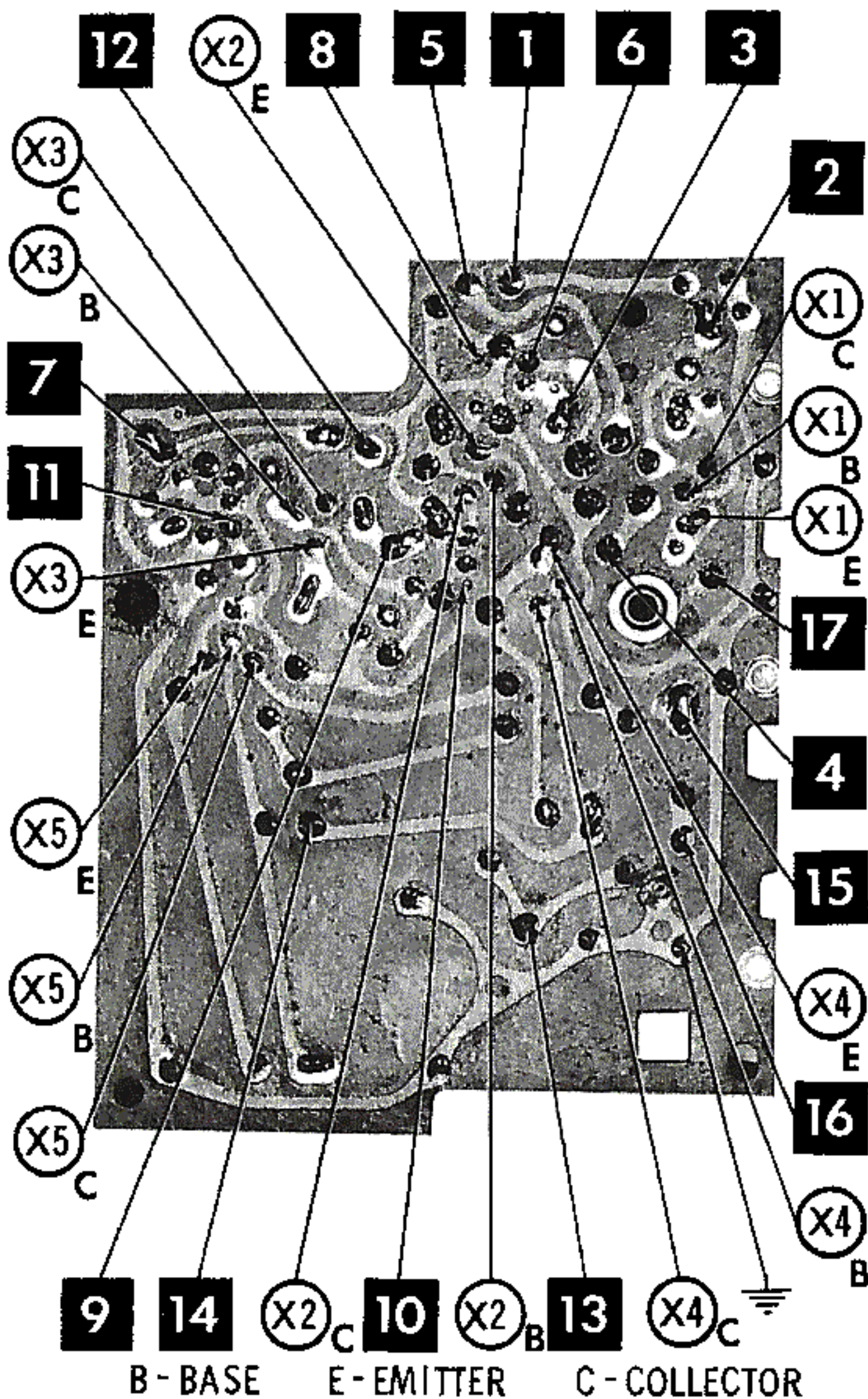
RESISTORS

All wattages 1/2 watt, or less, unless otherwise listed.

ITEM No.	RATING	REPLACEMENT DATA			ITEM No.	RATING	REPLACEMENT DATA		
		IRC PART No.	WORKMAN PART No.	REMARKS			IRC PART No.	WORKMAN PART No.	REMARKS
R2	47K			(39K)*	R8	47K			
R3	4700 Ω				R9	2700 Ω			
R4	1500 Ω				R10	560 Ω			
R5	100K				R11	1000 Ω			
R6	10K				R12	68K			
R7	220 Ω				R13	2200 Ω			

PRINTED BOARD

A Howard W. Sont **CIRCUITRACE** Photo



PARTS LIST AND DESCRIPTIONS (Continued)

RESISTORS (cont)

ITEM No.	RATING	REPLACEMENT DATA			ITEM No.	RATING	REPLACEMENT DATA		
		IRC PART No.	WORKMAN PART No.	REMARKS			IRC PART No.	WORKMAN PART No.	REMARKS
R14	2200Ω*				R17	47Ω			
R15	10K				R18	470Ω			
R16	150Ω								

* Used in some versions.

COILS (RF-IF)

ITEM No.	USE	REPLACEMENT DATA					NOTES
		G. E. PART No.	Merit PART No.	Miller PART No.	Stancor PART No.	Workman PART No.	
L1	Loopstick	RS-3128					
L2	Osc.	RS-3125					
L3	1st IF	RS-2977					
L4	2nd IF	RS-3124					
L5	3rd IF	RS-2979					

SPEAKER

ITEM No.	TYPE			REPLACEMENT DATA		NOTES
	SIZE	FIELD	DC RES.	G. E. PART No.	QUAM PART No.	
SP1	3½"		550Ω	RB-1209		Magnetic Type

BATTERIES

ITEM No.	VOLTAGE	G. E. PART No.	REPLACEMENT DATA						NOTES
			BURGESS		EVEREADY		MALLORY		
			"A"	"B"	"A"	"B"	"A"	"B"	
M1	9V			M6		266		M-1605	

MISCELLANEOUS

ITEM No.	PART NAME	G. E. PART No.	NOTES
M2	Tuning Cap. Tuning Cap.	RS-1586 RS-3787	2 Gang., Models P807B, P808B 2 Gang., Models P807E, P808E, P809E

CABINETS & CABINET PARTS

(When Ordering Cabinets & Cabinet Parts, Specify Model, Chassis & Color)

NAME	PART NO.	DESCRIPTION
Knob, Volume	RS-1576	Models P807B, P808B
Knob, Tuning	RS-2556	Models P807B, P808B
Knob, Tuning	RS-3788	Model P808E
Knob, Tuning	RS-3789	Models P807E, P809E
Cabinet	RB-1207	Model P807B
Cabinet	RB-1208	Model P808B
Cabinet	RB-1285	Model P807E
Cabinet	RB-1286	Model P808E
Cabinet	RB-1287	Model P809E
Handle	RS-2547	Model P807B
Handle	RS-1825	Model P808B

WIRING DATA

General-use Unshielded Hook-up Wire	Use BELDEN No. 8530 (Solid 22AWG)	Available
	8524 (Stranded 22AWG)	in
	8570 (Stranded 28AWG)	12 Colors

CHASSIS—TOP VIEW

