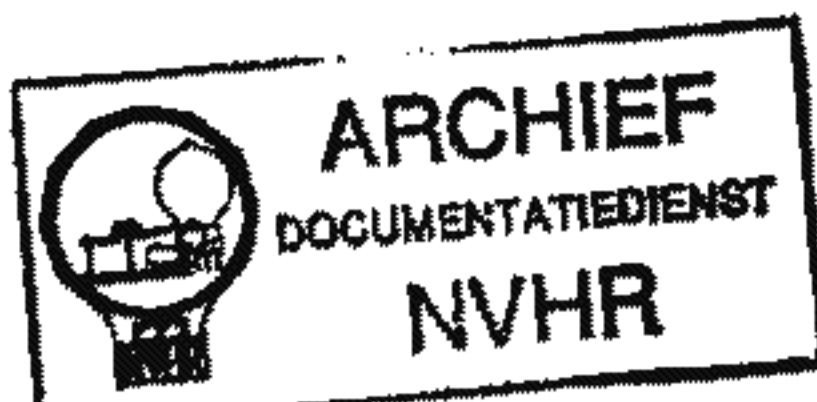




# PHOTOFACT<sup>®</sup> with

Met dank aan Walter van der Eyken



TRADE NAME: General Electric Models  
P795D, P796C/D, P797D, P798D

SUPPLIER: General Electric Co.,  
Product Service, Radio Receiver Dept.  
1001 Broad Street, Utica, N. Y.

TYPE SET: 5 Transistor AM Receiver

POWER SUPPLY: 6 Volts DC

RATING: 59MA @ 6VDC (No Signal, Min. Volume)  
66MA @ 6VDC (Signal, Normal Volume)

TUNING RANGE: BROADCAST 540 - 1600KC



## ALIGNMENT INSTRUCTIONS

Check for specified source voltage.

Fashion loop of several turns of wire and connect generator across loop.

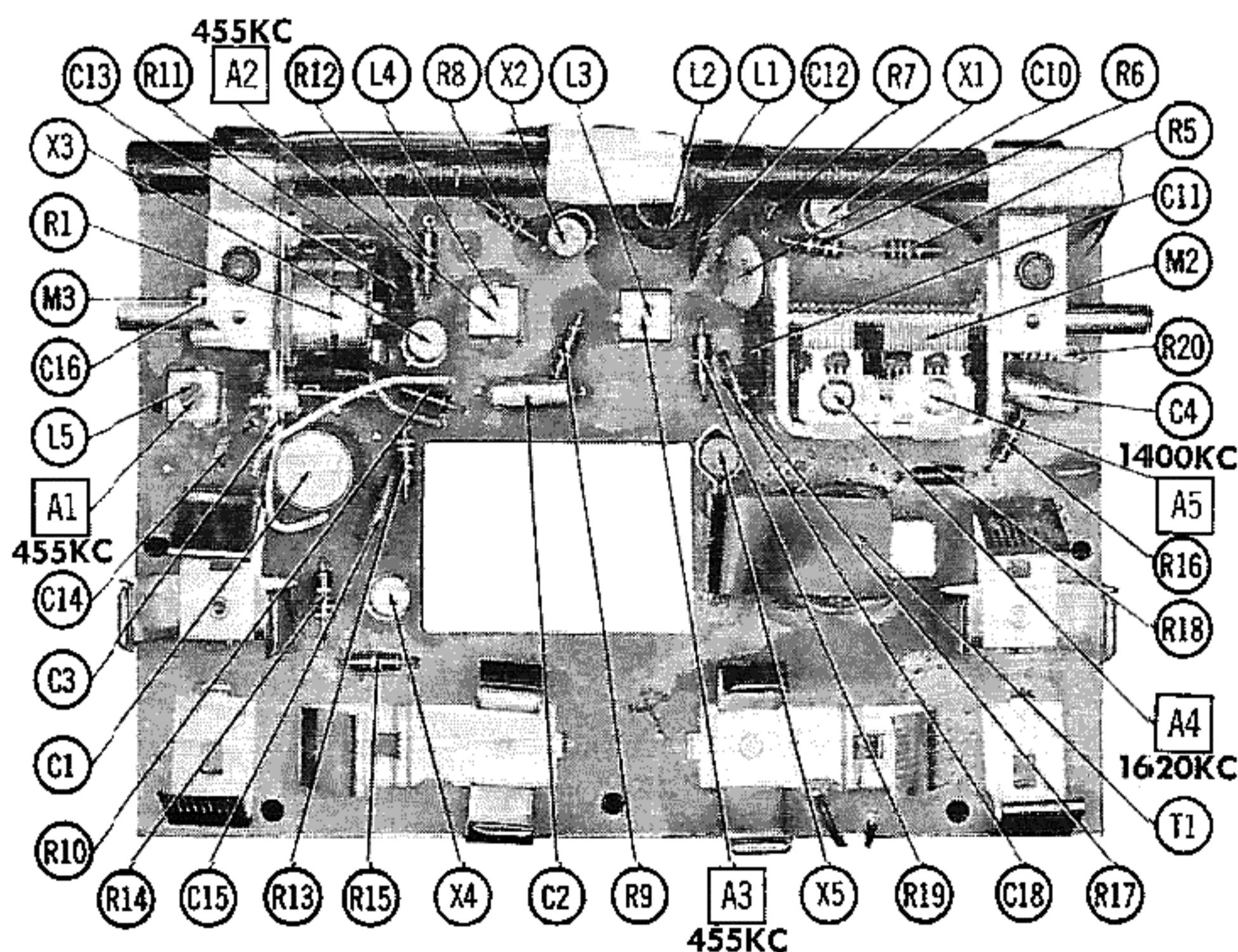
Adjust output of generator to radiate only enough signal into receiver to obtain a suitable indication.

Suggested Alignment Tools:

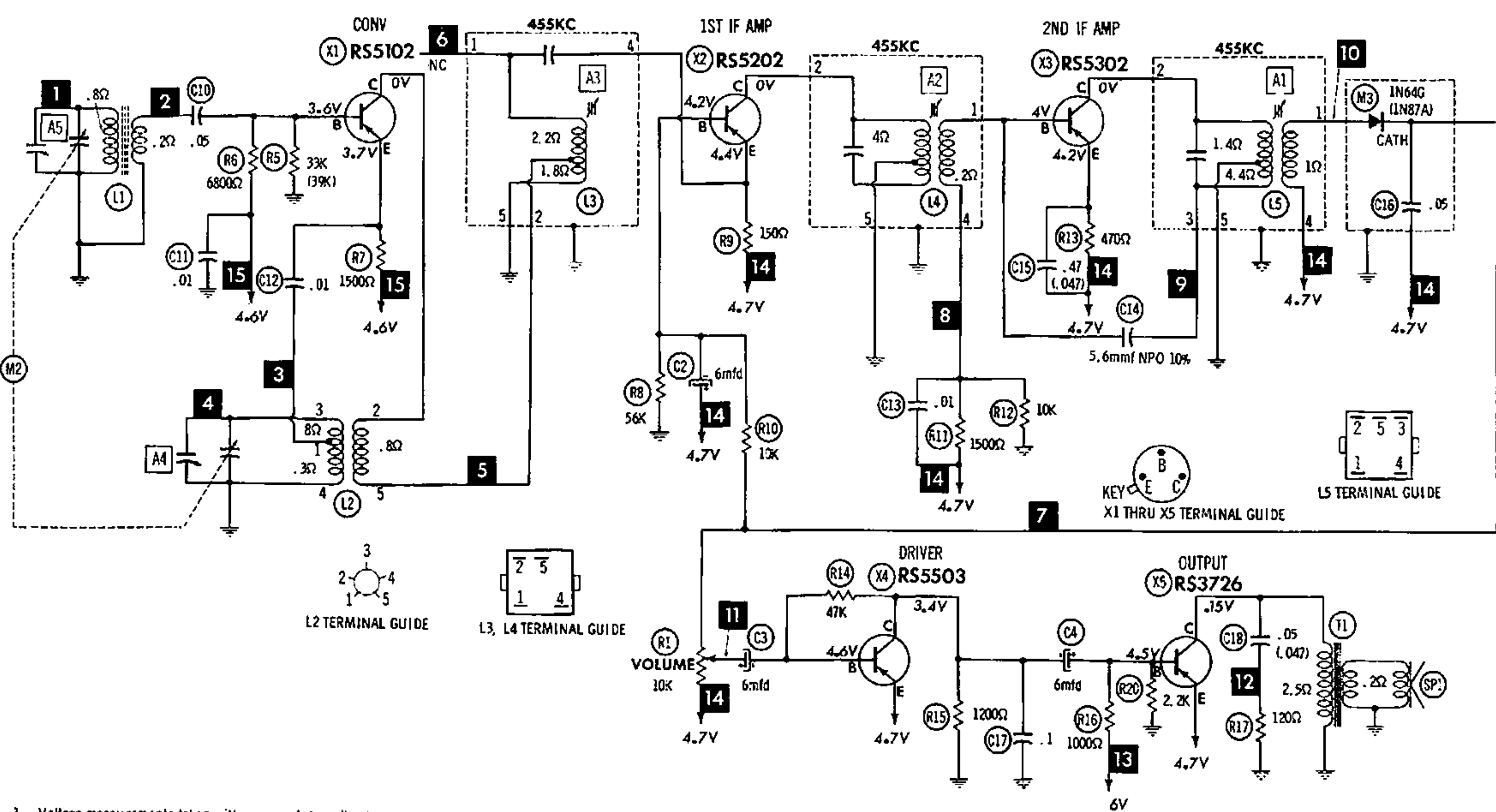
A1, A2, A3..... GENERAL CEMENT #5067, 8282, 8606  
WALSCO #2526, 2543

A4, A5..... GENERAL CEMENT #5000, 5066, 8290  
WALSCO #2512, 2525, 2528

	SIGNAL GENERATOR FREQUENCY	RADIO DIAL SETTING	INDICATOR	ADJUST	REMARKS
1.	455KC (400% Mod.)	Tuning gang fully open.	Output Meter across voice coil.	A1, A2, A3	Adjust for maximum. Repeat as required.
2.	1620KC	"	"	A4	Adjust for maximum.
3.	1400KC	"	"	A5	Adjust for maximum.

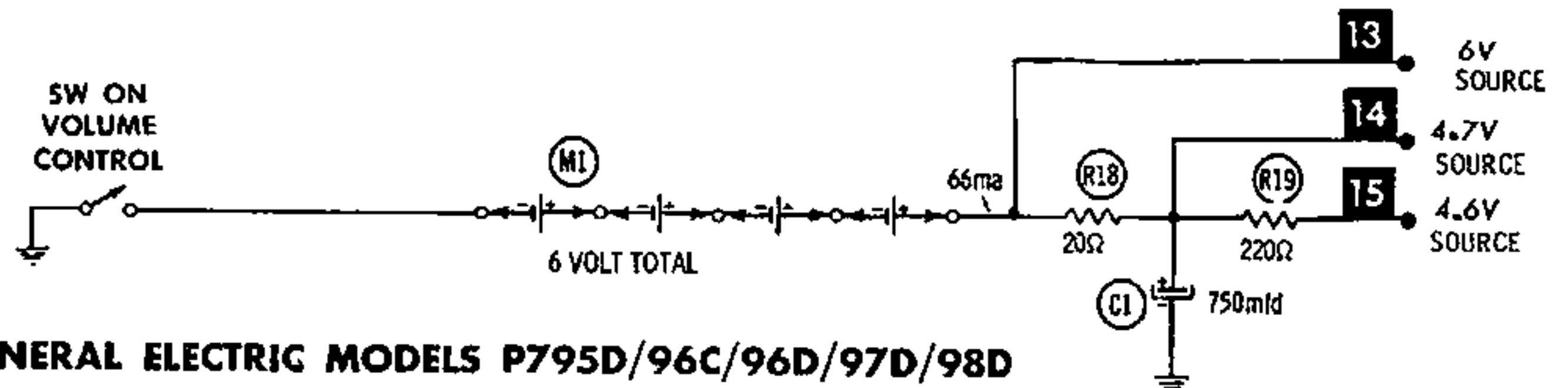


**HOWARD W. SAMS & CO., INC.** Indianapolis 6, Indiana

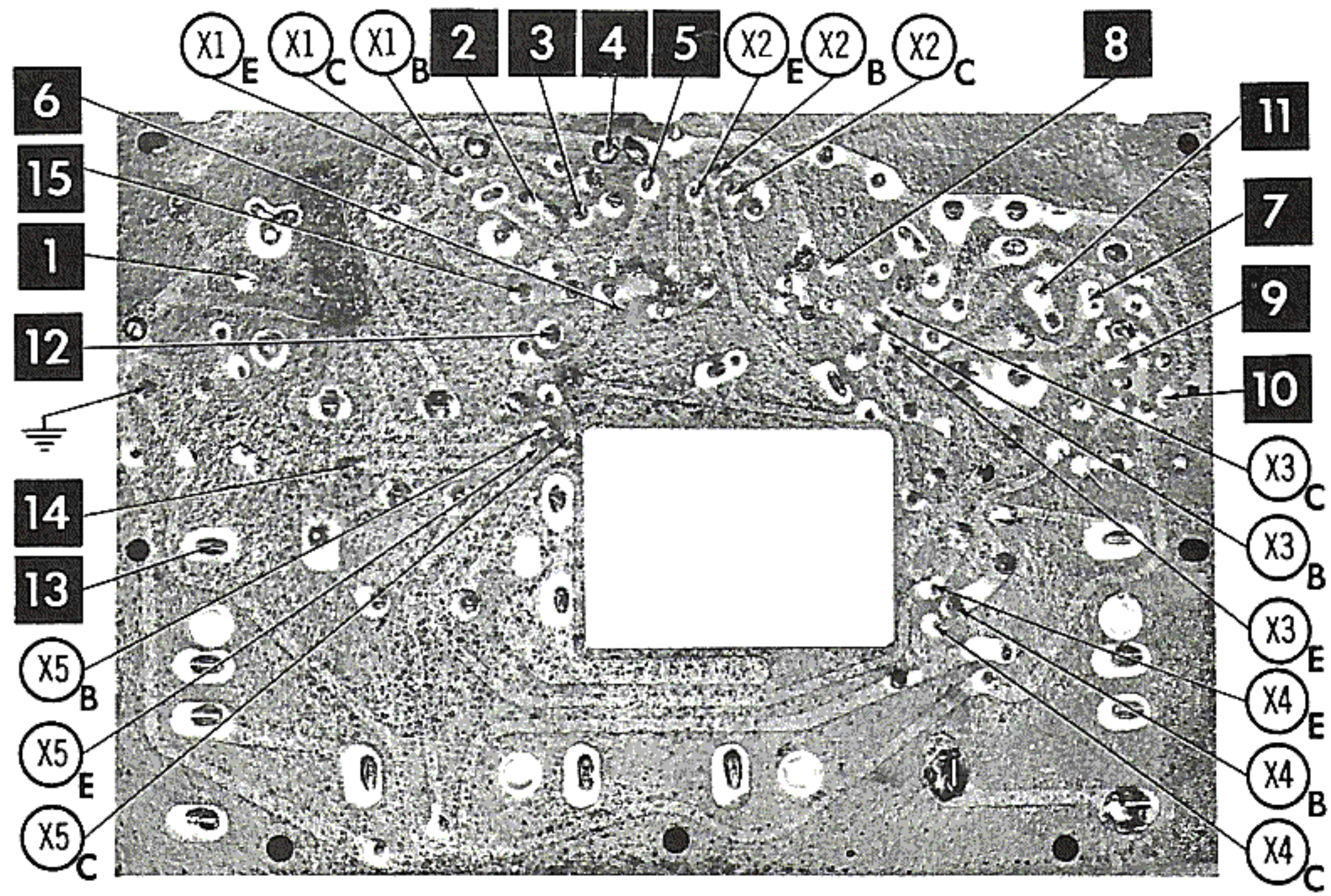


1. Voltage measurements taken with vacuum tube voltmeter.
2. All controls set for normal operation, no signal applied.
3. Measured values are from socket pin or terminal to common ground.
4. All terminals viewed from bottom unless otherwise designated.
5. Numbers assigned to terminals may not be found on the unit.
6. Supply voltage maintained at rated value for voltage readings.
7. Resistance measurements not given because of the wide variation in internal resistance of transistor.

A PHOTOFACIT STANDARD NOTATION SCHEMATIC  
with **CIRCUITRACE**  
©Howard W Sams & Co., Inc. 1963



**GENERAL ELECTRIC MODELS P795D/96C/96D/97D/98D**



## WIRING DATA

General-use Unshielded Hook-up Wire ..... Use BELDEN No. 8530 (Solid 22AWG) Available in 12 Colors  
 8524 (Stranded 22AWG)  
 8570 (Stranded 26AWG)

## TRANSISTORS

ITEM No.	MFGR. PART No.	USE	REPLACEMENT DATA			NOTES
			DELCO PART No.	GENERAL ELECTRIC PART No.	RCA PART No.	
X1	RS-5102	Converter	DS-25	GE-1		PNP
X2	RS-3287*	1st IF Amp.	DS-25	GE-1		PNP
X3	RS-5202	2nd IF Amp.	DS-25	GE-1		PNP
X4	RS-3278*	Driver	DS-26	GE-2	2N406	PNP
X5	RS-5302	Output	DS-26	GE-2	2N408	PNP
	RS-3288*					
	RS-5503					
	RS-3275*					
	RS-3726					

\* Alternate

## ELECTROLYTIC CAPACITORS

ITEM No.	RATING		REPLACEMENT DATA						
	CAP.	VOLT.	G. E. PART No.	AEROVOX PART No.	CORNELL-DUBILIER PART No.	GENERAL ELECTRIC PART No.	GENERAL INSTRUMENT PART No.	MALLORY PART No.	SPRAGUE PART No.
C1	750	6	RS-3336				BL2320	PET1300	
C2	6	15	RS-2614	CRE455	NLW6-15	MT1-5	BL1262	TT25X6	TE-1153
C3	6	15	RS-2614	CRE455	NLW6-15	MT1-5	BL1262	TT25X6	TE-1153
C4	6	15	RS-2614	CRE455	NLW6-15	MT1-5	BL1262	TT25X6	TE-1153

## FIXED CAPACITORS

ITEM No.	RATING	REMARKS	REPLACEMENT DATA					
			AEROVOX PART No.	CENTRALAB PART No.	CORNELL-DUBILIER PART No.	ELMENCO PART No.	MALLORY PART No.	SPRAGUE PART No.
C10	.05		TTD-05	CK-503	H5		TA-150	TG-S50
C11	.01		TTD-01	CK-103	H2		TA-110	TG-S10
C12	.01		TTD-01	CK-103	H2		TA-110	TG-S10
C13	.01		TTD-01	CK-103	H2		TA-110	TG-S10
C14	5.6 NPO 10%	#RS-3244				CCTO-050		10TCC-V56
C15	.47 10V	(.047) †		UK10-404	HCC1047			HY-330
C16	.05		TTD-05	CK-503	H5		TA-150	TG-S50
C17	.1 10V		TTD-1	CK-104	H6		TA-010	TG-P10
C18	.05 10V		TTD-05	CK-503	H5		TA-150	TG-S50

‡ General Electric Part Number.

† Alternate Value.

## CONTROLS

All wattages 1/2 watt, or less, unless otherwise listed.

ITEM No.	USE	RESISTANCE	REPLACEMENT DATA					
			G. E. PART No.	CENTRALAB PART No.	CLAROSTAT PART No.	CTS-IRC PART No.	MALLORY PART No.	
R1	Volume & Switch	10K	RS-1834				Q13-116, 76-1, QCP	

# D DESCRIPTION

## COILS (RF-IF)

ITEM No.	USE	REPLACEMENT DATA					NOTES
		G. E. PART No.	MERIT PART No.	MILLER PART No.	STANCOR PART No.	WORKMAN PART No.	
L1	Loopstick	RS-3337					
L2	Osc.	RS-3338					
L3	1st IF	RS-2977					
L4	2nd IF	RS-3567					
L5	3rd IF	RS-2979					

## TRANSFORMER (AUDIO OUTPUT)

ITEM No.	IMPEDANCE		REPLACEMENT DATA					NOTES
			G. E. PART No.	MERIT PART No.	STANCOR PART No.	THORDARSON PART No.	TRIAD PART No.	
	PRI.	SEC.						
T1	130Ω	3-4Ω	RS-1428					

## SPEAKER

ITEM No.	TYPE	REPLACEMENT DATA		NOTES
		G. E. PART No.	QUAM PART No.	
SP1	4" PM 3-4Ω	RB-1057	4A1	

## BATTERIES

ITEM No.	VOLTAGE	G. E. PART No.	REPLACEMENT DATA			NOTES
			BURGESS	EVEREADY	MALLORY	
M1	1½V		2U6 (or H146)	216 (or E146)	M-1604 (or MN1604, TR-146)	4 Used

## MISCELLANEOUS

ITEM No.	PART NAME	G. E. PART No.	NOTES
M2	Tuning Gang	RS-2564	
M3	AVC (1N646, 1N87A)	RS-1811	

## CABINETS & CABINET PARTS

(When Ordering Specify Model, Chassis & Color)

ITEM	PART No.	ITEM	PART No.
<u>KNOB</u>		<u>CABINET</u>	
Volume-Models P795D, P796C/D, P798D	RS-1806	Model P795D, Black	RB-1091
Volume - Model P797D	RS-1807	Models P796C/D, Blue	RB-1092
Tuning - Models P795D, P796C/D, P798D	RS-1804	Model P797D, Beige	RB-1093
Tuning - Model P797D	RS-1805	Model P798D, Maroon	RB-1224