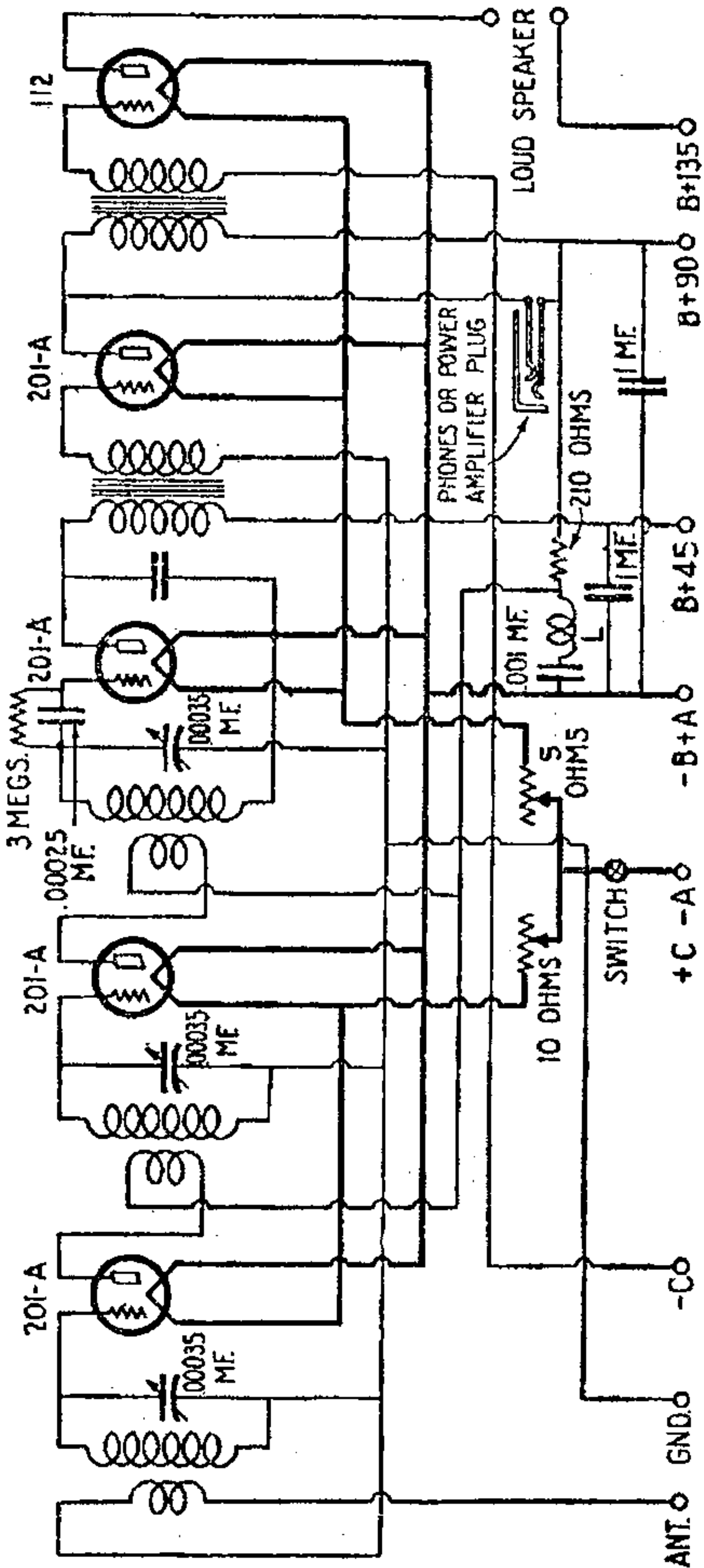
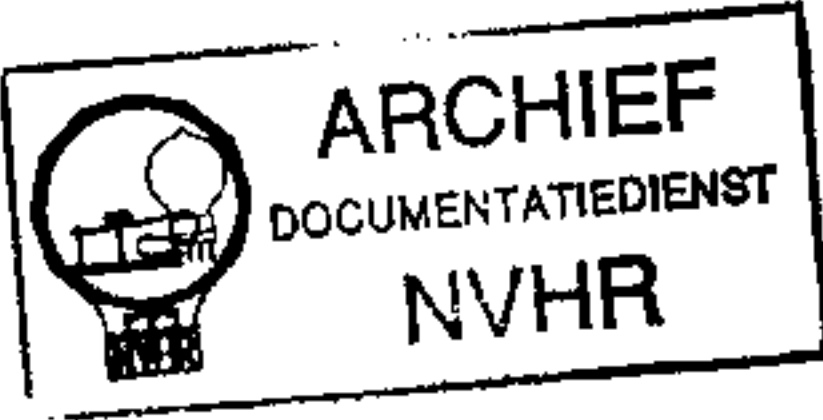


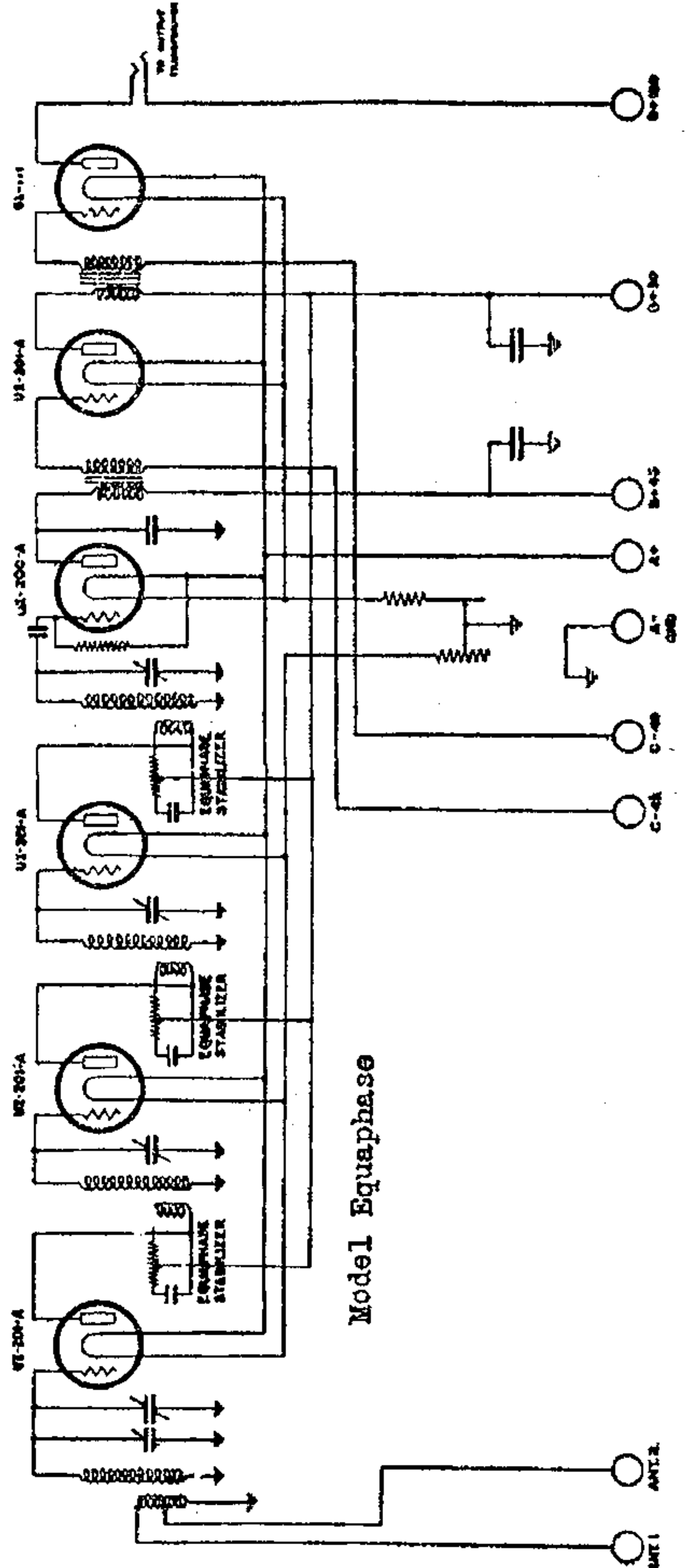
CHARLES FRESHMAN CO., INC.

Ned. Ver. v. Historie v/d Radio

MODEL Masterpiece  
MODEL Equaphase



Model Masterpiece



Model Equaphase