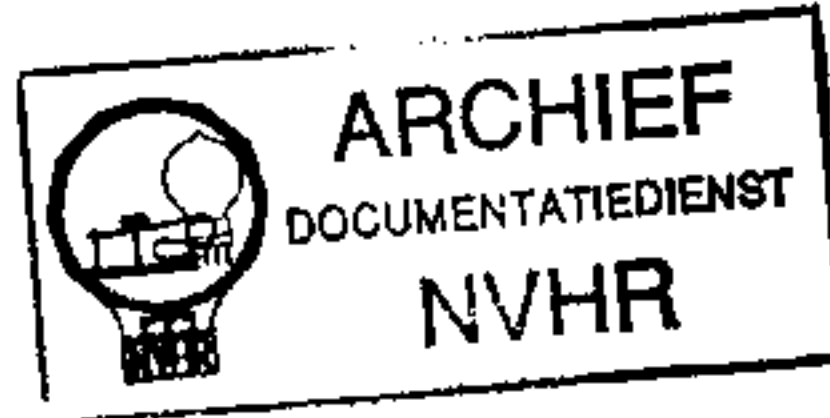
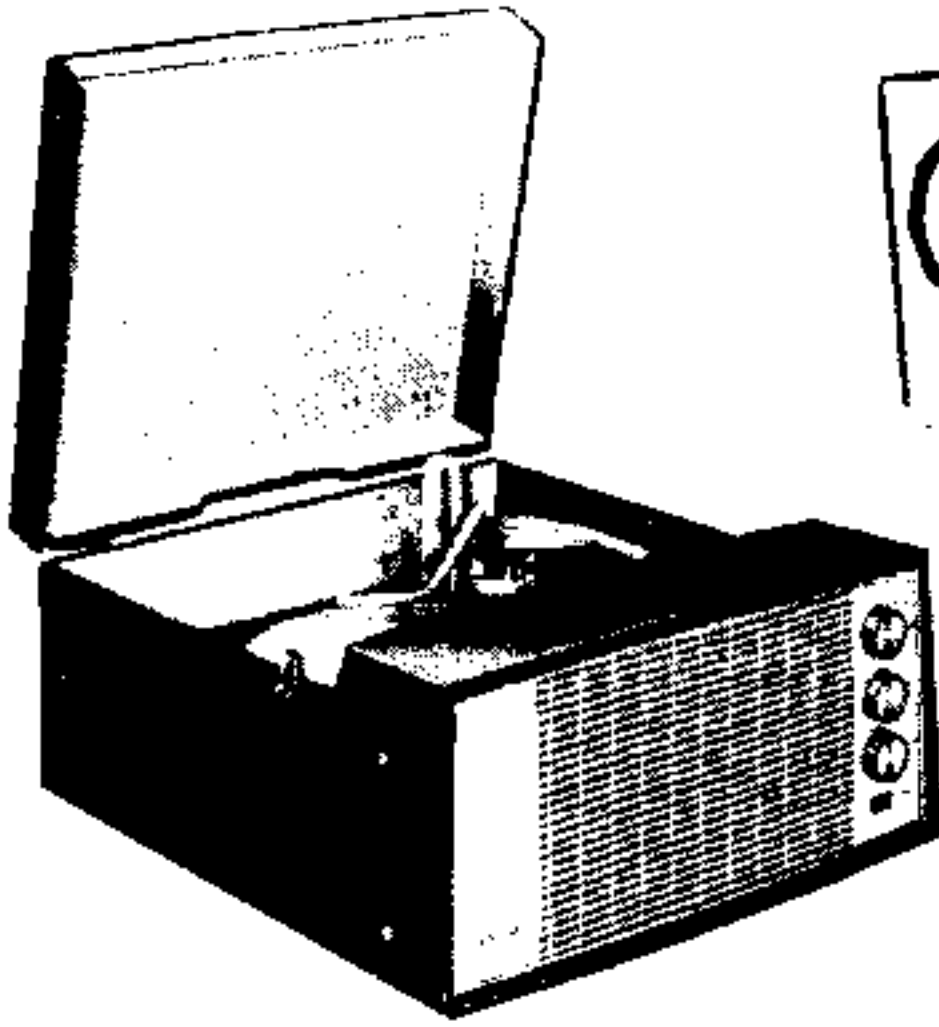
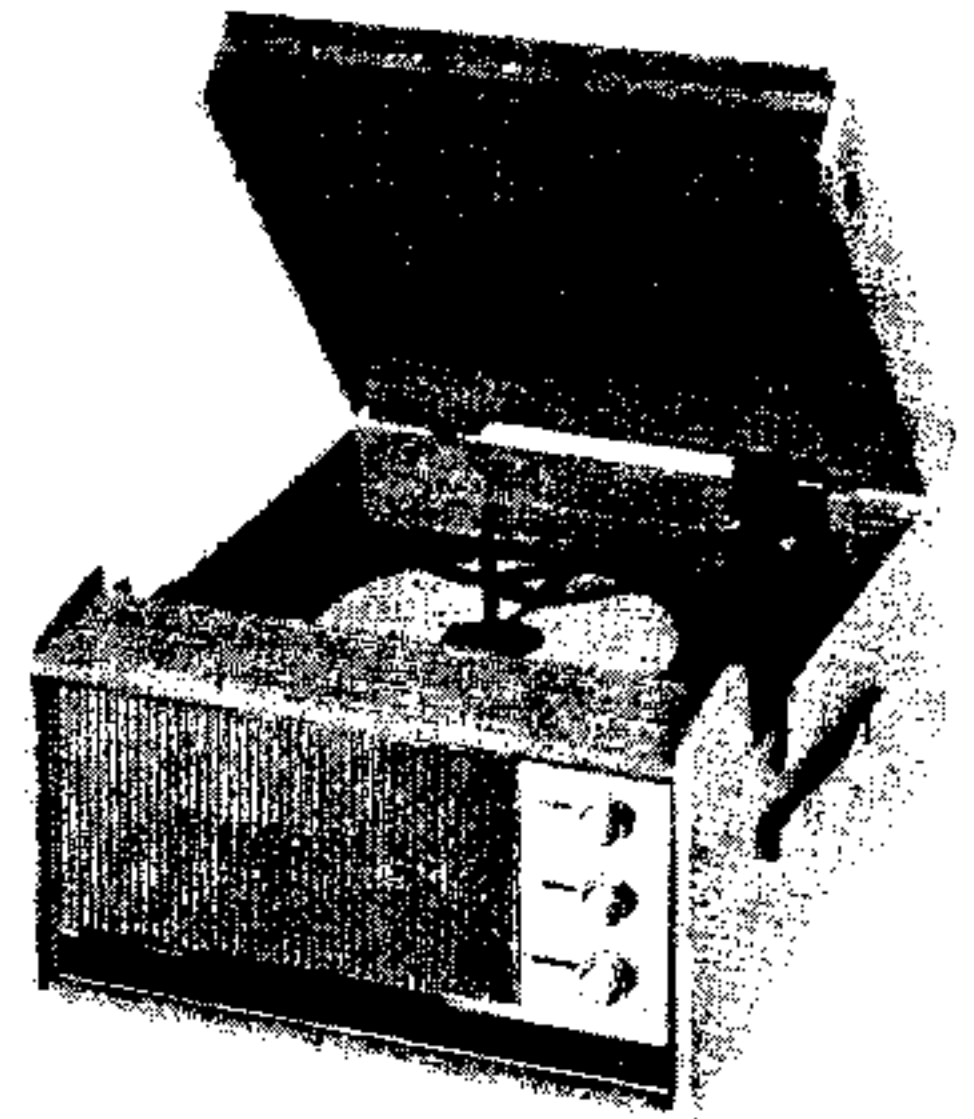


**EKCO****FERRANTI** 

Ned. Ver. v. Historie v/d Radio



## RECORD PLAYERS SERVICE SHEET

**EKCO MODEL RP430****FERRANTI MODEL RP1106**

**MODELS RP430 and RP1106** are portable, mains operated record players employing two triode pentode valves in a tone corrected push-pull circuit, using printed panel technique. The player is fitted with a BSR UA15 'Monarch' Auto-changer Unit incorporating a TC8M crystal pick-up. Also included are Amplifier, Extension loudspeaker and Tape Recorder sockets. For stereo reproduction replace existing cartridge with either a BSR TC8SM, Acos GP83-2 or 73-2, readjust playing weight and add a second amplifier.

**MAINS SUPPLY:**

200-220V, 230-250V A.C. 50 c/s.

**MAINS CONSUMPTION:**

44 watts with motor switched off.

**MAINS ADJUSTMENT:**

Two voltage tappings are provided on a panel inside the control panel cover, at the front of the cabinet.

**OUTPUT:**

7 watts.

**LOUDSPEAKER:**

6½" dia. PM impedance 3 ohms at 400 c/s.

**PILOT LAMP:**

6-8V. 0.3A

**CONTROLS:**

Three controls are provided on a panel at the front, from top to bottom they are:—

'Treble' 'Bass' and 'Volume—On/off.'

Immediately below the three controls is the mains indicating light (LPI).

**AMPLIFIER SOCKET:**

The pick-up is automatically disconnected when the plug is inserted, enabling the record player to be used as an amplifier.

**CHASSIS REMOVAL:**

1. Disconnect the player from the mains supply.
2. Slacken the two screws and washers from the top of the control cover and remove.
3. Remove the three screws securing the motor board to the cabinet and disconnect the motor mains lead from the terminal block on the base of the cabinet.
4. Unsolder the pick-up lead from the terminals at the base of the auto-changer, which may now be withdrawn.
5. Pull off the three control knobs.
6. Remove the two 4BA nuts from the top and bottom of the control panel holding it to the cabinet.
7. After removing the two screws and washers holding the amplifier to the base of the cabinet, it is free to be laid at the desired angle on the cabinet base to facilitate component replacement.
8. To take out the transformer, remove the two nuts and washers holding it to the front baffle.

**VOLTAGE AND CURRENT DATA:**

Valve	Anode		Screen		Cathode	
	Volts	mA	Volts	mA	Volts	mA
V1A ECL86	96	0.47	—	—	.016	—
V1B ECL86	241	35	190	5.5	4.5	40.5
V2A ECL86	154	0.47	—	—	47	—
V2B ECL86	241	35	190	5.5	4.5	40.5

**D.C. RESISTANCE OF WINDINGS:**

Component	Ohms	Part No.
T1 Pri.	170 + 220	} AN00207
T1 Sec.	0.29	
T2 Pri.	76	} SABI67
H.T. Sec.	132	
L.T. Sec.	0.33	or AN00405

# SPARE PARTS LIST

## RESISTORS:

Circuit Ref.	Ohms	Tol. ±%	Type	Part No.
R1	100 K	20	Erie 7AD or 9	NH10401 or NH10406
R2	1 M	10	Erie 7AD or 9	NG10501 or NG10506
R3	330 K	10	Erie 7AD or 9	93592 or 93092
R4	6.8 K	20	Erie 7AD or 9	NH68201 or NH68206
R5,8	10 M	20	Erie 8AP	109338:73B
R6	220 K	20	Erie 8AP	109338:53B
R7	390	10	Erie 8AP	NG39110
R9,10	100 K	10	Erie 8AP	109338:49
R11,12	680 K	20	Erie 8AP	109338:59B
R13,14	47 K	20	Erie 8AP	109338:45B
R15	3.9 K	10	Erie B	94069
R16	56	10	Erie B	94047
R17	27 K	10	Erie 8AP	NG27310

## CAPACITORS:

Circuit Ref.	Value	Tol. ±%	Type	Part No.
C1	500 pF	20	Hunts W99 or Dub. 400	PR00552 or PR00553
C2	.04 μF	20	Hunts W99 or Dub. 400	PR18001 or PR18000
C3,13	100 pF	20	Hunts W99 or Dub. 400	PR00152 or PR00151
C4	.002 μF	20	Hunts W99 or Dub. 400	PR04501 or PR04504
C5	.02 μF	20	Hunts W99 or Dub. 400	PR15512 or PR15503
C6	.04 μF	20	Hunts W99 or Dub. 400	C41904:10 or B42053/13
C7,8,9	.01 μF	—	Metalmite	52658
C10	50 μF	—	12V Electrolytic	C123010:2
C11,12	50 μF	—	350V Electrolytic	C123145
C13	100 pF	20	Hunts W99 or Dub. 400	PR00152 or PR00151

## TRANSFORMERS, RECTIFIERS AND VARIABLE RESISTORS:

Circuit Ref.	Component	Part No.
T1	Output	AN00207
T2	Mains	SA8167
†T2	Mains	AN00405
MR1	FC442 Westinghouse	FR00030
RV1	2M Tone (bass)	C108295/14
RV2	1M Tone (treble)	C108295/13
RV3	½M Volume	PL00077
*RV1	2M Tone (bass)	108295/16
*RV2	1M Tone (treble)	108295/15
*RV3	½M Volume	PL00078

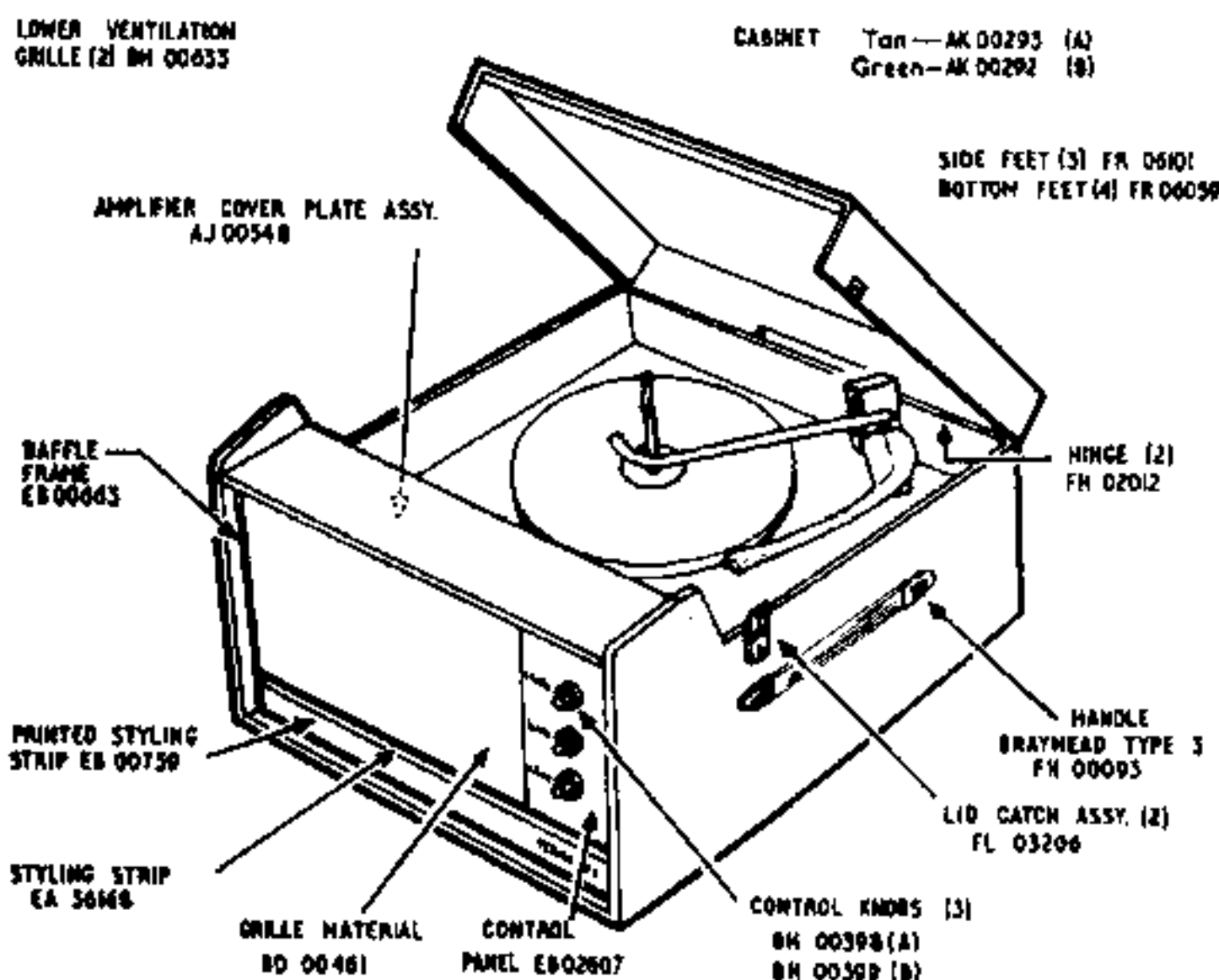
† Used on all models from Serial No. 8001 onwards

\* Used only on RP1106

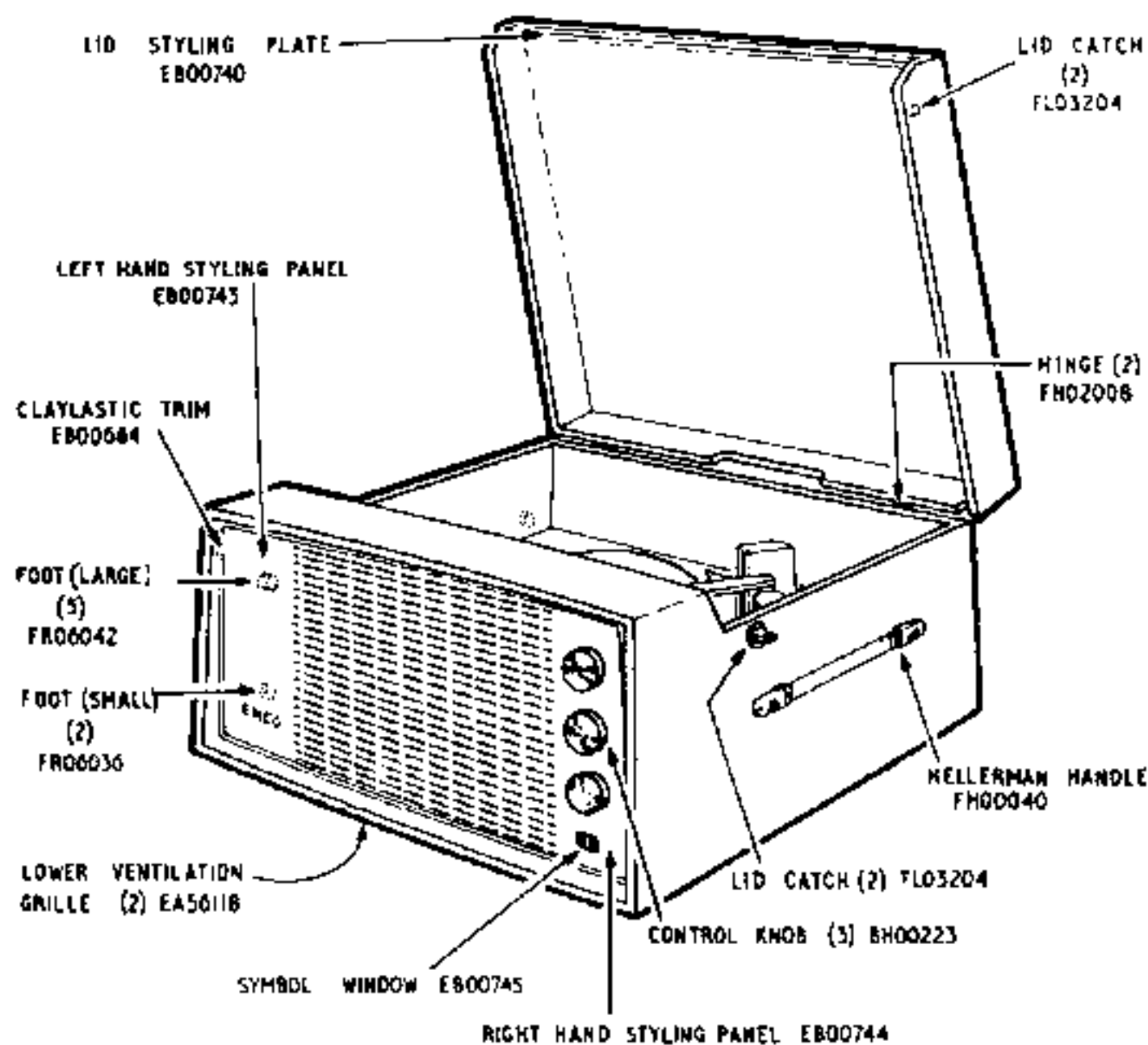
## OTHER COMPONENTS AND ASSEMBLIES:

Circuit Ref.	Component	Part No.
S1	Mains (part of Volume Control)	C134382
LS1	6½" dia. round Elac.	FS10017
R.C.	BSR UA 15 'Monarch' (grey)	FG01282
†R.C.	BSR UA 15 'Monarch' (fawn)	FG01284
P.U.	Cartridge TC8M	FG01807
	Printed Panel Assy.	DP31375:C
LPI	Pilot Lamp 6/8V 0.3 amp.	A34B33/4

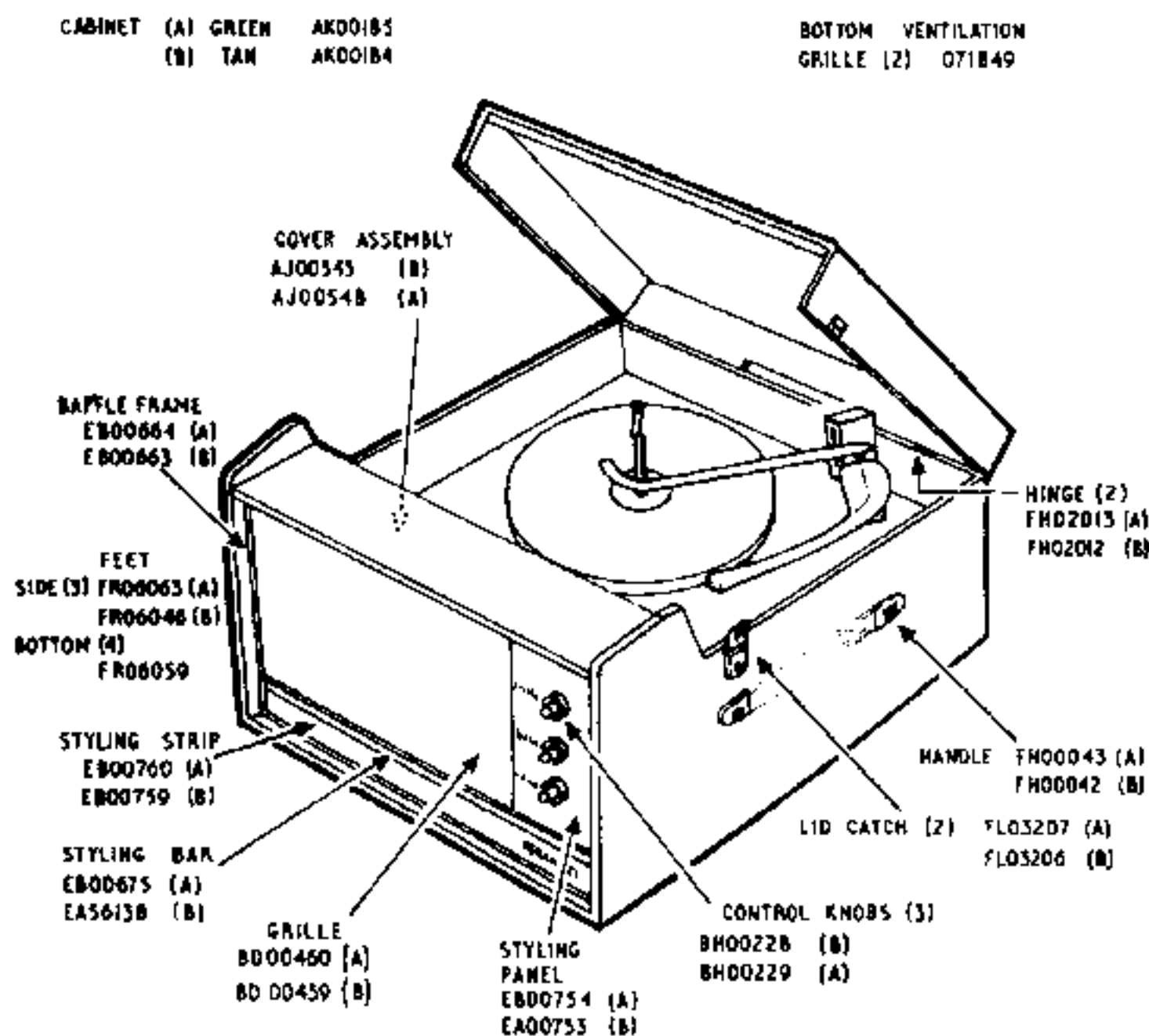
† Used on RP1106 tan models only



**Ferranti Model RP1106**  
(Serial No. 8001 onwards)

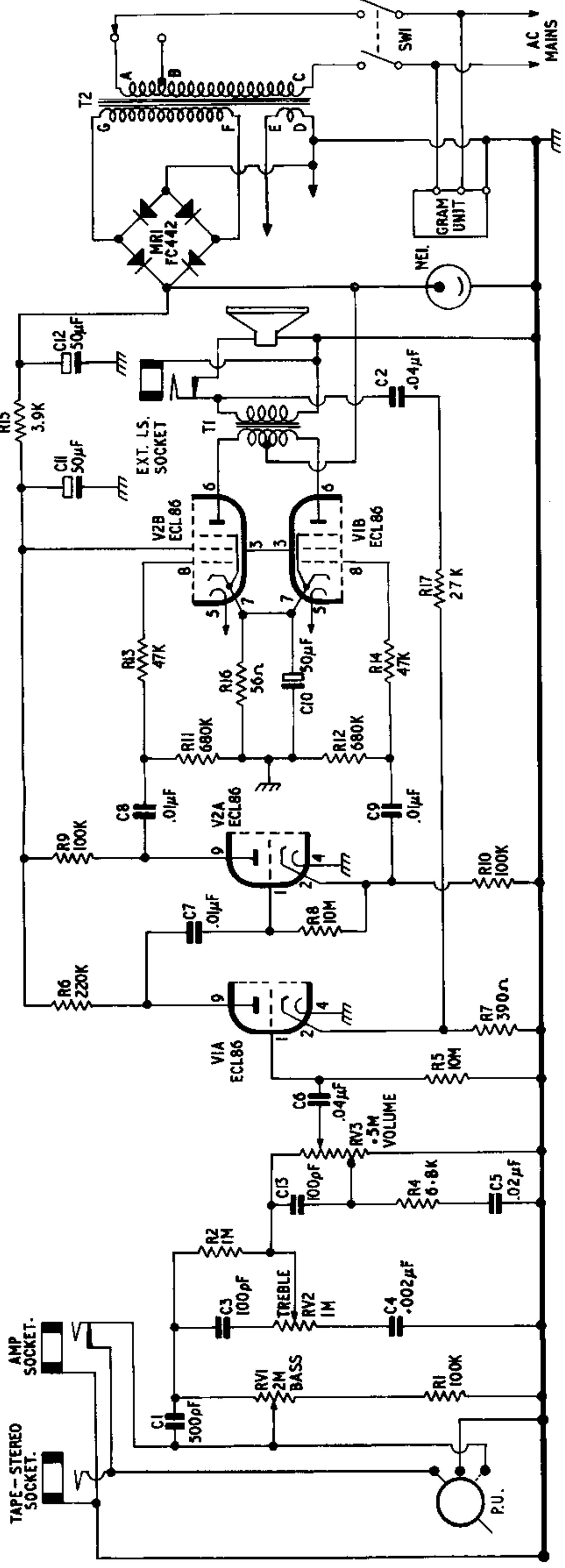


**Ekco Model RP430**



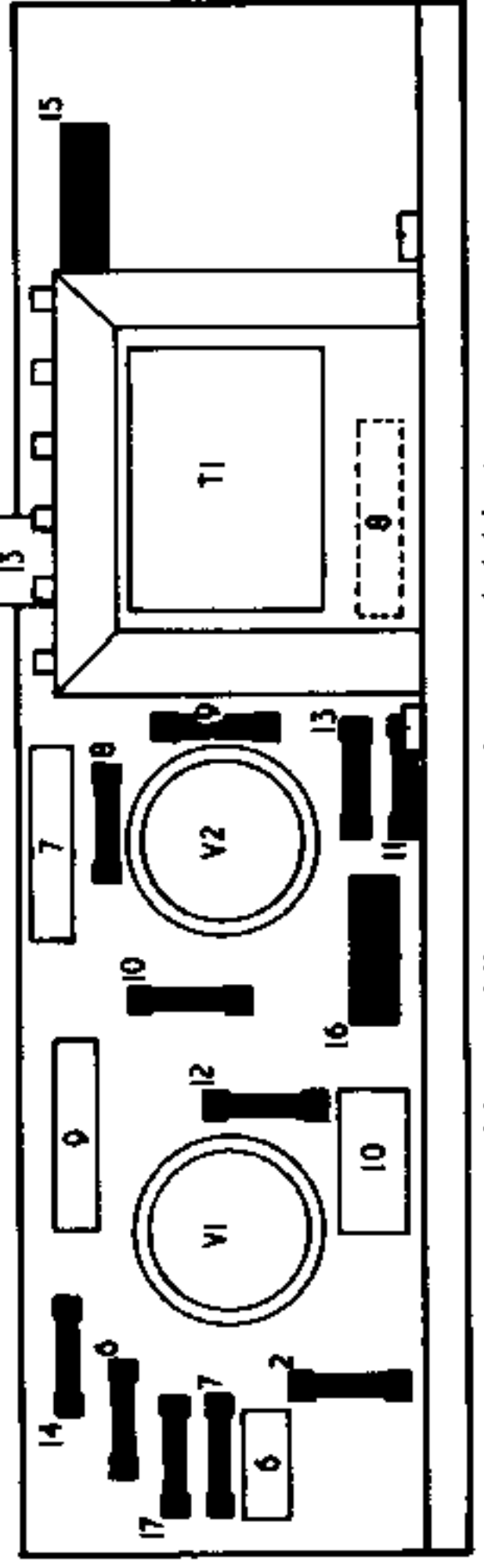
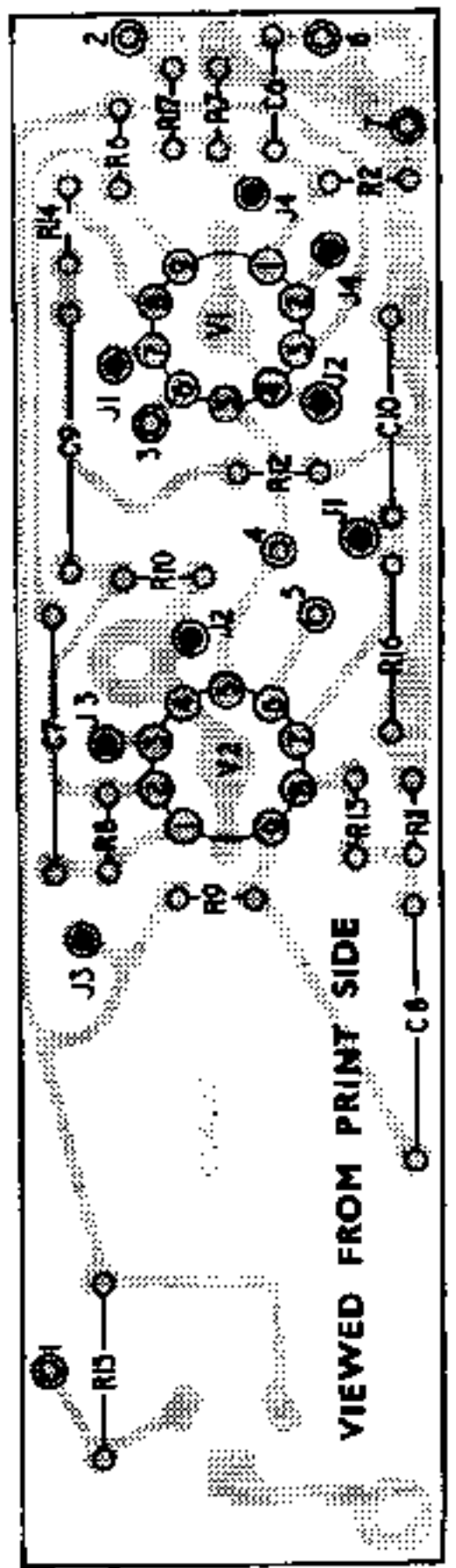
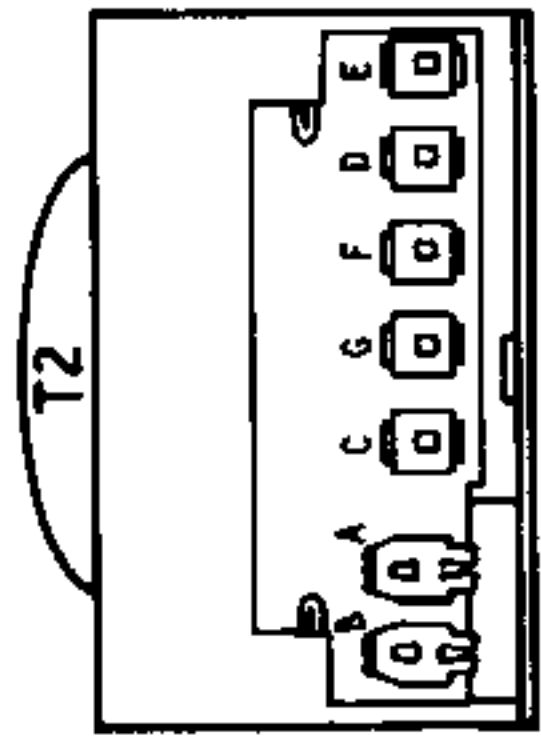
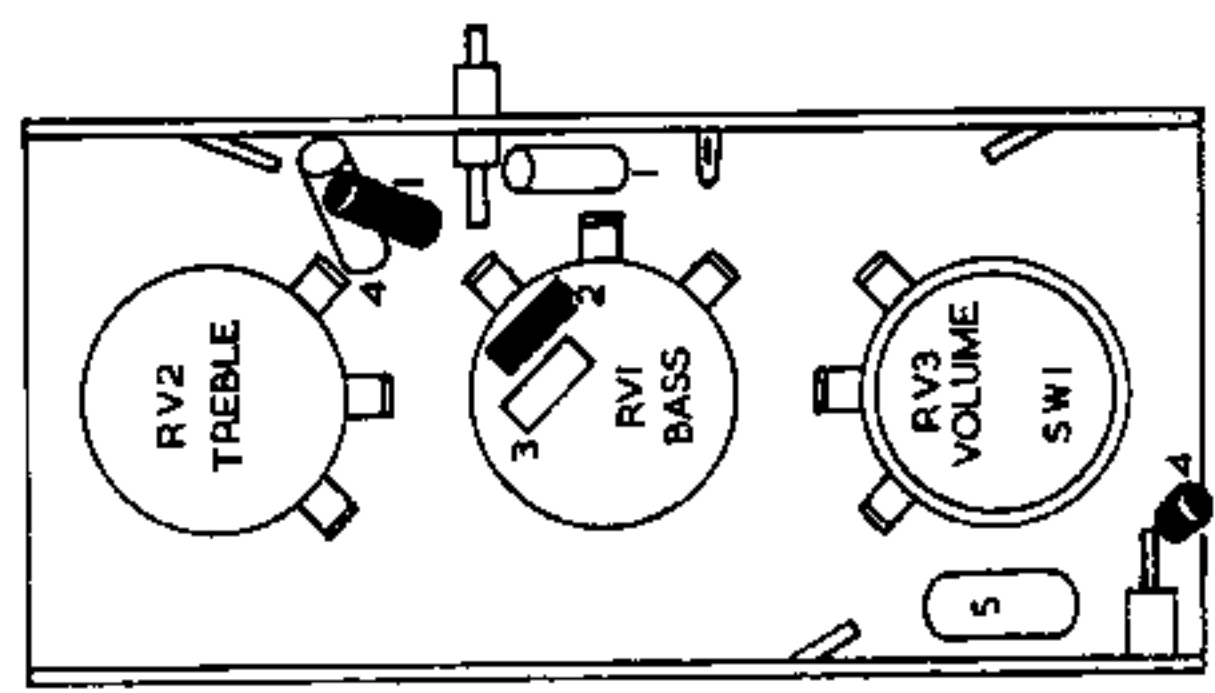
**Ferranti Model RP1106**

C	1.	3.	4.	13.	6.	7.	8.	9.	10.	11.	12.	13.	14.	15.	16.	17.	18.	19.	20.
R																			
M	P.U.	RV1.	RV2.		RV3.	VIA.	VZA.	V2B.	VIB.	TI.	LS.	MEI.	MRI.	T2.	SWI.	M			



Circuit Diagram

Ekco Model RP430  
 Ferranti Model RP1106



Note: All resistors shown solid black