

**Copyright.** This Service Data is for the information of appointed Ekco and Ferranti Dealers only and must not be copied.

**Models RP411 and RP1088** are portable, mains operated record players employing two triode pentode valves in a tone corrected push-pull circuit, using the printed panel technique. The player is fitted with a Garrard 'Autoslim' Auto-Change Unit incorporating a crystal pick-up, for normal or long playing records. Independent bass and treble controls enable the response to be varied at will over a wide range of frequencies.

**Mains Supply:**  
200-250V A.C. 50 c/s.

**Mains Consumption:**  
38 watts with motor switched off.

**Mains Adjustment:**  
Two voltage tapings are provided on a panel inside the cover, at the front of the cabinet. This becomes accessible after removing the two fixing screws, holding the cover.

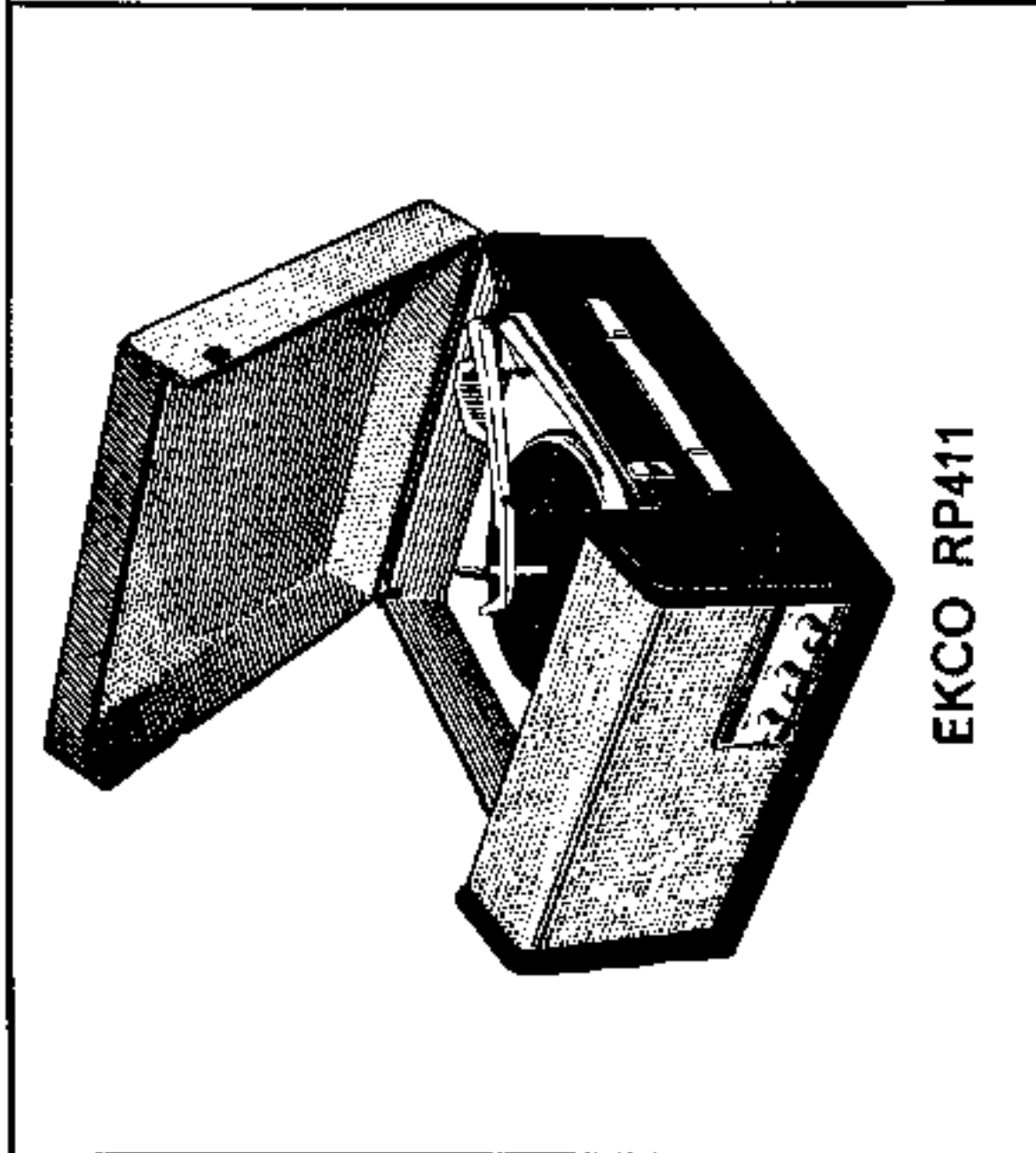
**Valves:** V1 and V2 ECL86 (Mullard).

**Rectifier:** MR1 EC1 (Westinghouse).

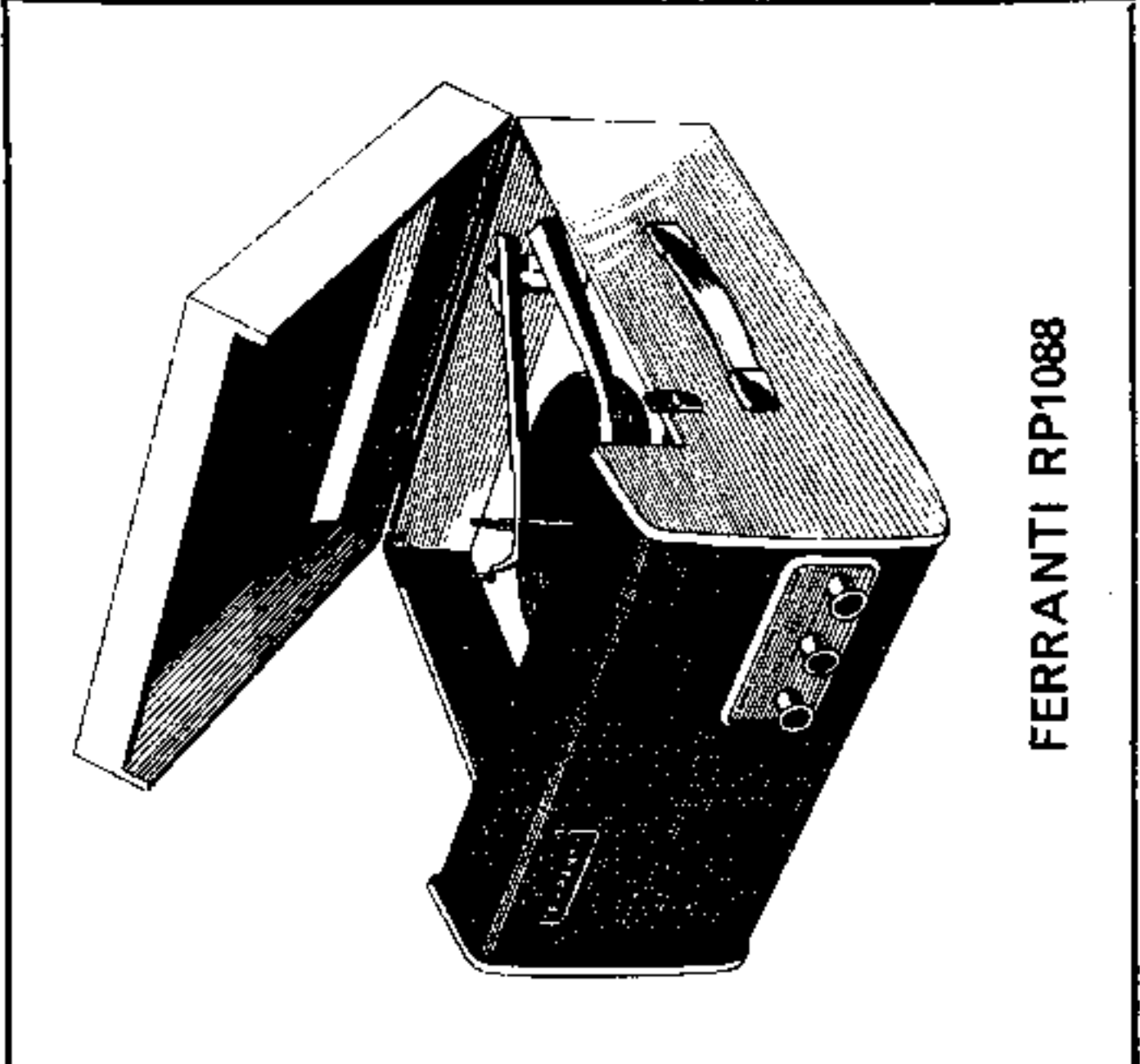
**Loudspeaker:** 8" x 5" PM impedance 3 ohms at 400 c/s.

**Controls:**  
Three controls are provided on a panel at the front as follows :-  
Left—' Treble.' Centre—' Bass.'  
Right—' Volume on/off.'

**Chassis Removal:**  
Disconnect the player from the mains supply. Remove the three screws securing the motor board to the cabinet and disconnect the motor mains lead from the terminal block on the base of the cabinet, then unsolder the pick-



EKCO RP411



FERRANTI RP1088

**RP411**

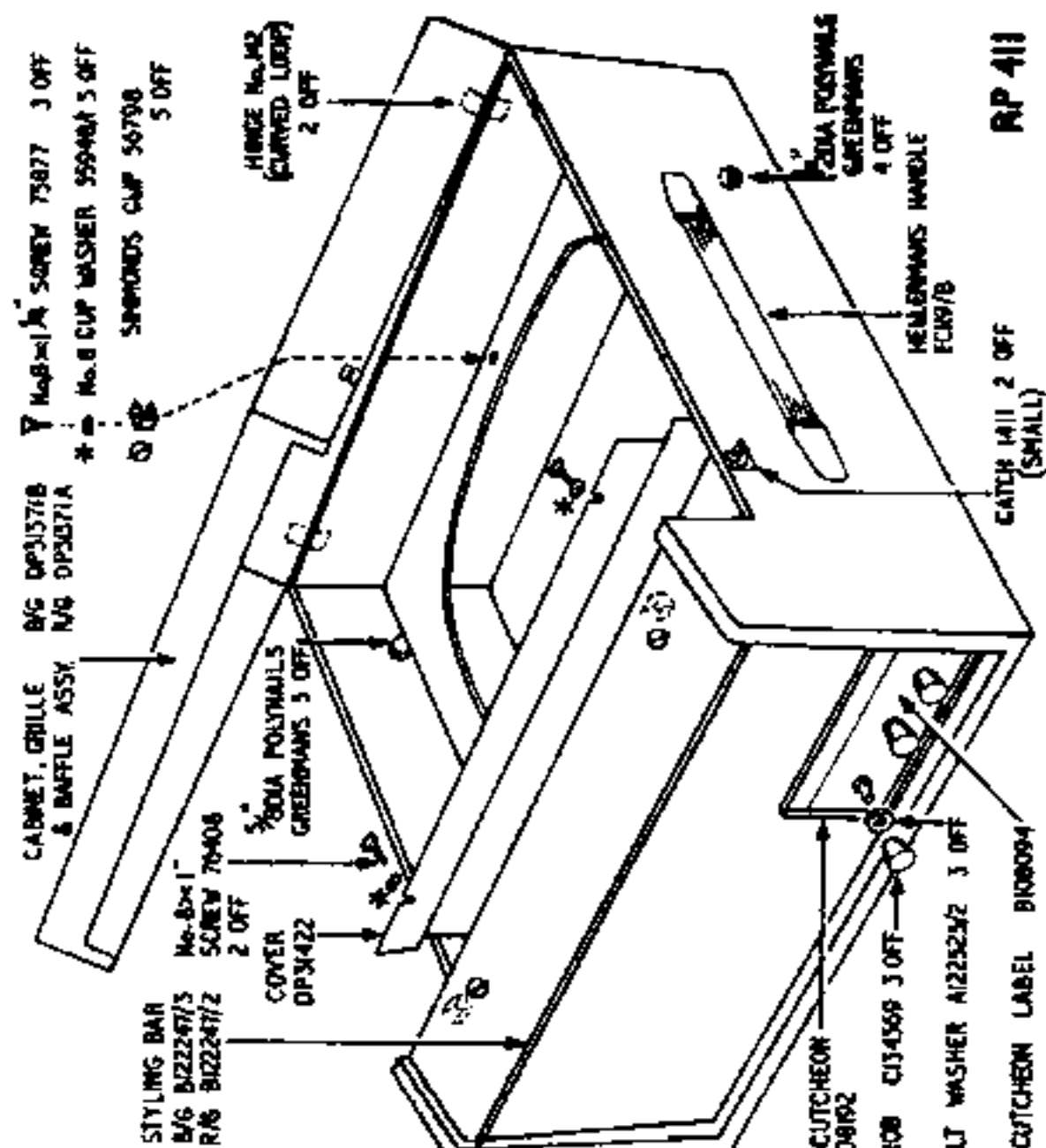
up lead from the terminals at the base of the auto-changer. The auto-change unit may now be withdrawn. Slacken the grub-screws and remove the three control knobs, then remove the two 4BA nuts holding the control panel to the cabinet. After removal of the two 4BA screws holding the amplifier, it is free to be laid at any desired angle on the base of the cabinet to facilitate component replacement and if necessary the transformer, control panel and amplifier may be completely withdrawn from the cabinet without disturbing the transformer wiring. First, disconnect the loud-speaker leads, remove the supply lead from the terminal block and finally remove the two 4BA screws securing the transformer to the base of the cabinet.

**VOLTAGE AND CURRENT DATA:**

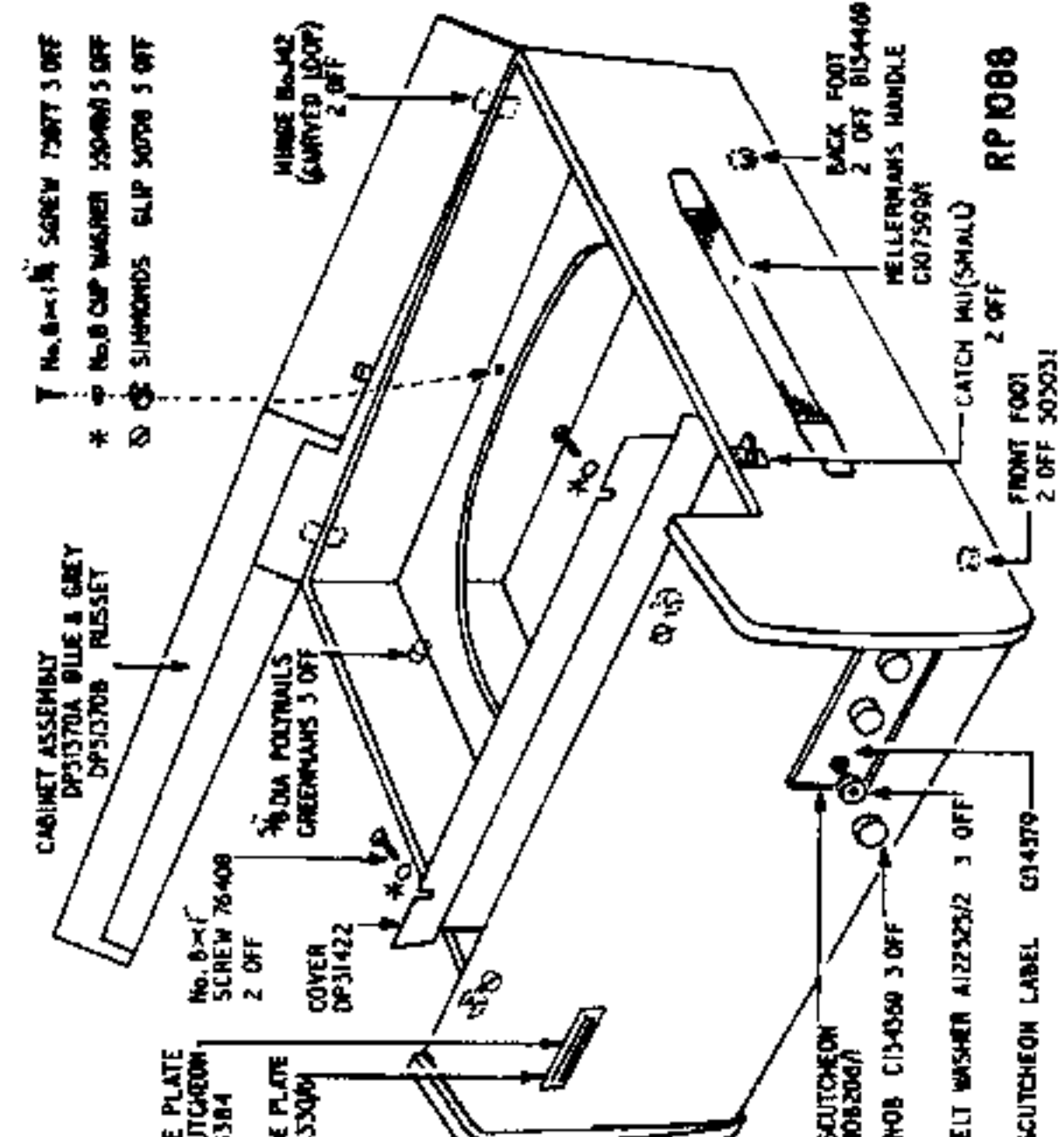
Valve	Anode		Screen		Cathode	
	Volts	mA	Volts	mA	Volts	mA
V1A ECL86	96	0.47	—	—	—	—
V1B ECL86	241	35	201	5.5	4.5	40.5
V2A ECL86	154	0.47	—	—	47	—
V2B ECL86	241	35	201	5.5	4.5	40.5

Component	Ohms	Part No.
T1 Pri.	165 + 205	
T1 Sec.	0.29	SA5797D
T2 Pri.	76	
HT. Sec.	132	SAB167
LT Sec.	0.33	

**RP1088**

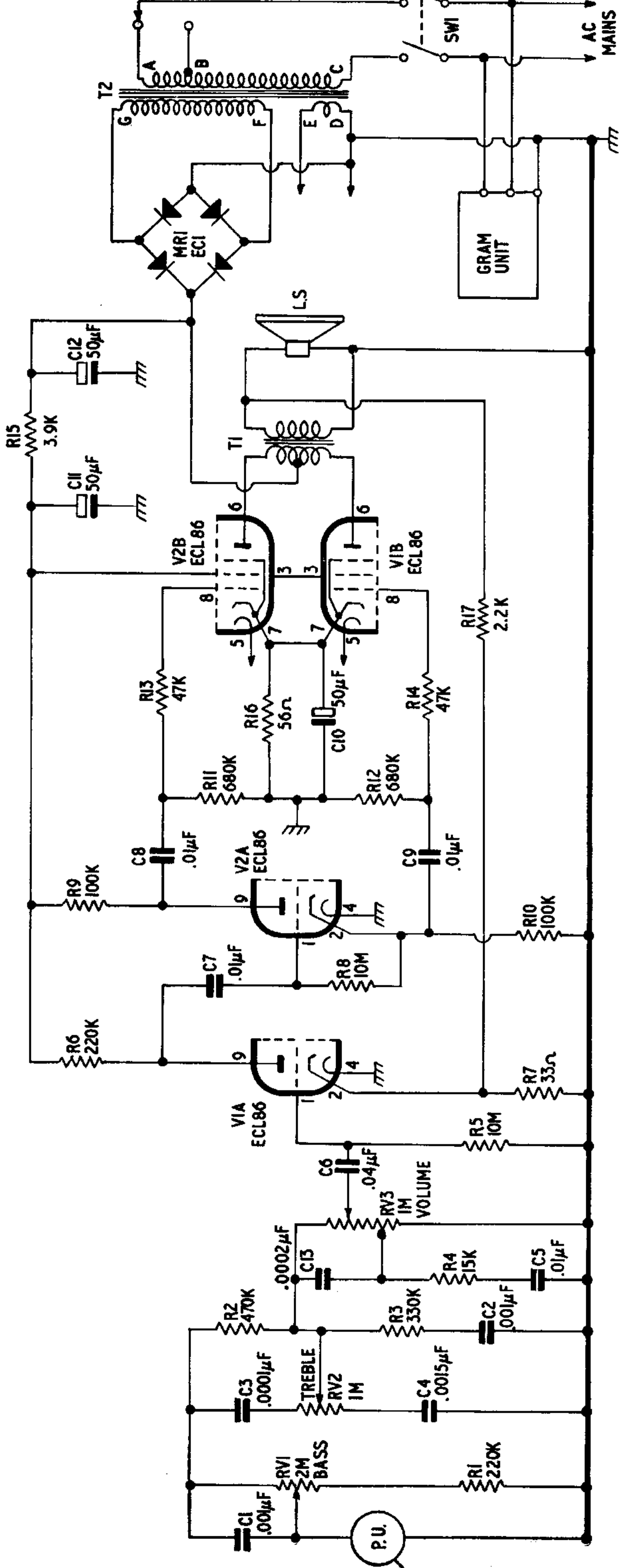


RP 411

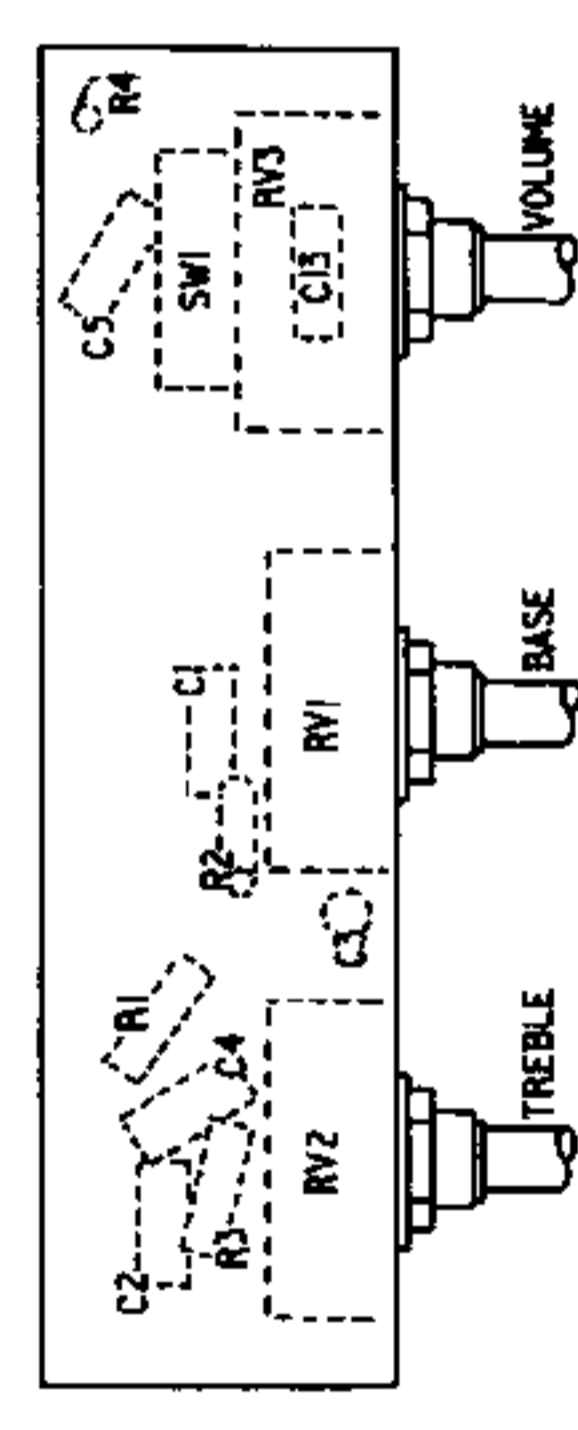
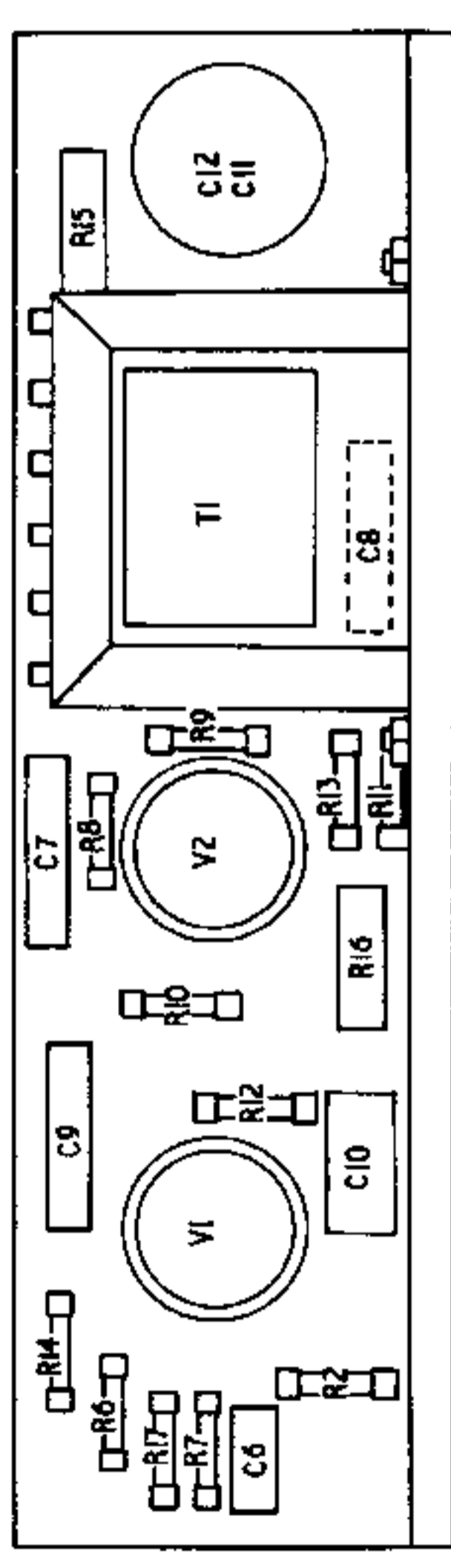
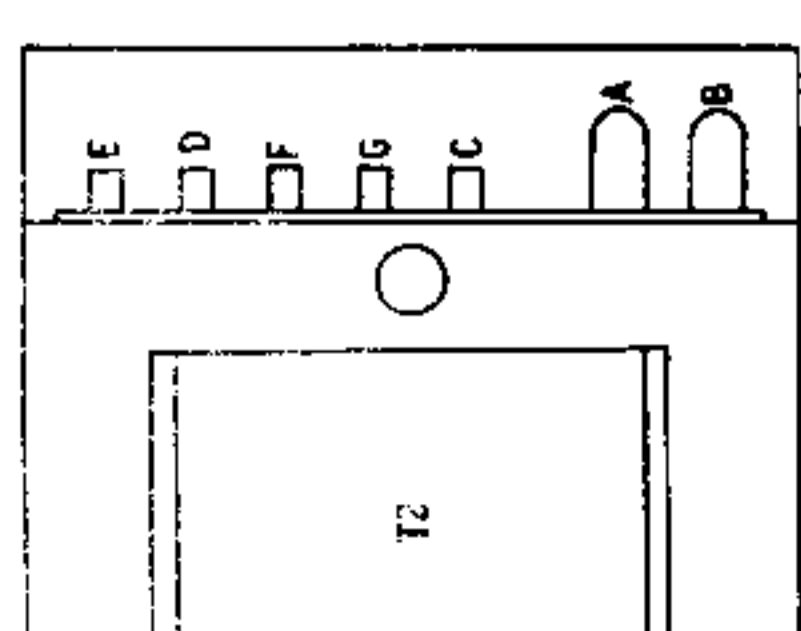
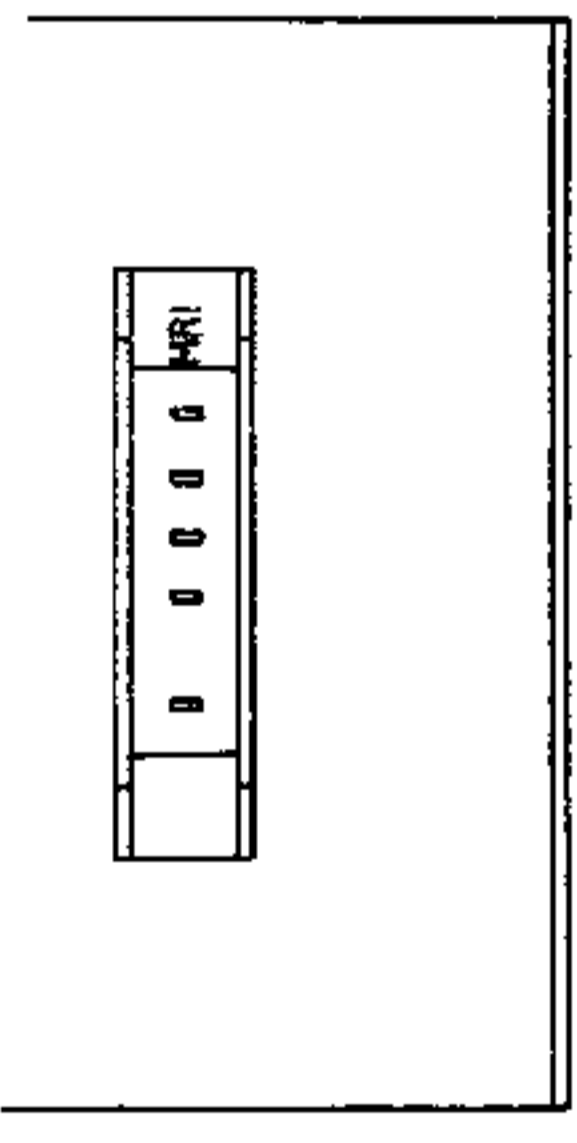


RP 1088

C1.	3.	13.	6.	7.	8.	9.	10.	11.	12.	11.	12.	C
R	4.	5.										R
M P.U.	1.	2.	3.	4.	5.	6.	7.	8.	9.	10.	15.	
	RV1.	RV2.							V2A.		T1.	L.S.
			RV3.	VIA.						V2B.		MRI.
										VIB.		T2.
												SWI.
												M



CHASSIS LAYOUT



CONTROL PANEL

Please order spare parts direct from :-  
Radio and Television Services Ltd.,  
P.O. Box 11, Cambridge.  
Phone : Cambridge 59101

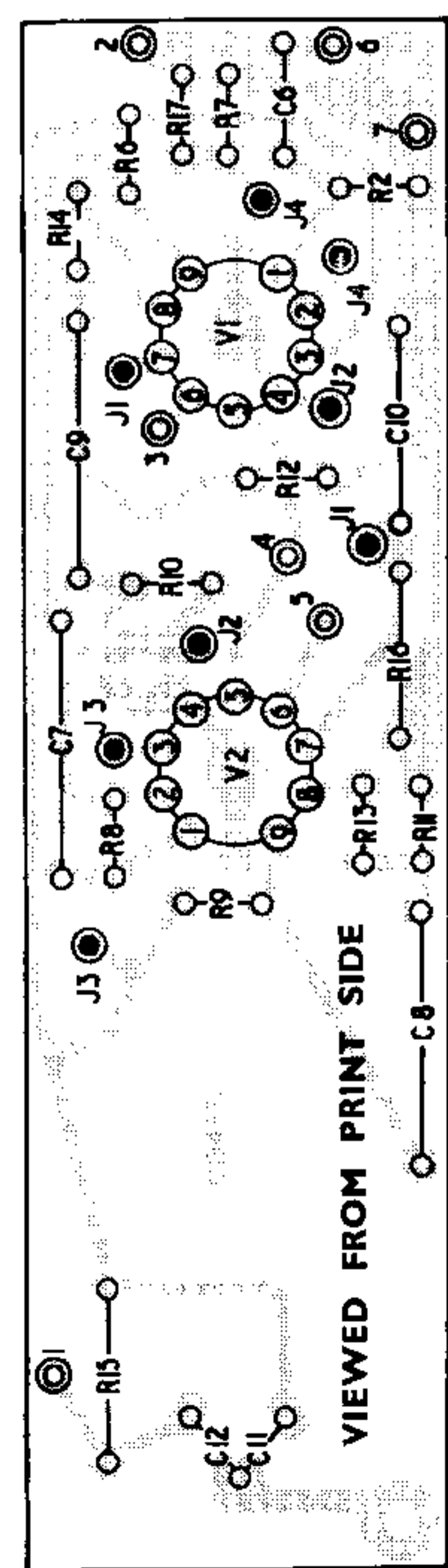
Main Service Department :-  
Radio and Television Services Ltd.,  
Somerton Works,  
Arterial Road,  
Westcliff-on-Sea, Essex.  
Phone : Southend 42296

SPARE PARTS LIST

RESISTORS				TRANSFORMERS, RECTIFIERS AND VARIABLE RESISTORS				OTHER COMPONENTS AND ASSEMBLIES			
Cir. Ref.	Ohms	Tol.±%	Type	Cir. Ref.	Output	Component	Part No.	Cir. Ref.	Component	Part No.	
R1	220K	20	Erie 7AD or 9	T1	Mains	Westinghouse EC1	SA5797D	S1	Mains (part of V/C)	C134382	
R2	470K	10	Erie 7AD or 9	RV1	2M Tone (bass)		SA8167	LS1	8" x 5" Elac.	DI34372	
R3	330K	10	Erie 7AD or 9	RV2	1M Tone (treble)		B108287	RC	Garrard "Autoslim"	I33438/1	
R4	15K	20	Erie 7AD or 9	RV3	1M Volume		C108295/12	P.U.	Acos. GP67-1	DP31375	
R5,8	10M	20	Erie 8AP				C108295/11	—	Printed Panel Assy.	DP31371A	
R6	220K	20	Erie 8AP				C134382	—	Cabinet Assy. (Red/Grey)	DP31371B	
R7	33	10	Erie 8AP				DI34372	—	Cabinet Assy. (Blue and Grey)	DP31370A	
R9,10	100K	10	Erie 8AP				I33438/1	—	Cabinet Assy. (Blue and Grey)	DP31370B	
R11,12	680K	20	Erie 8AP				DP31375	—	Cabinet Assy. (Russet/Gold Fleck)	DP31370B	
R13,14	47K	20	Erie 8AP				DP31371A	—	Knobs	C134369	
R15	3.9K	10	Erie 8				DP31371B				
R16	56	10	Erie 8				DP31370A				
R17	2.2K	10	Erie 8AP				DP31370B				

CAPACITORS

Cir. Ref.	Value	Tol.±%	Type	Part No.
C1,2	.001 μF	20	Hunts W99 or Dub. 400	C41904/24
C3	.0001 μF	20	Hunts W99 or Dub. 400	B42033/1
C4	.0015 μF	20	Hunts W99 or Dub. 400	C41904/18
C5	.01 μF	20	Hunts W99 or Dub. 400	B42033/9
C6	.04 μF	20	Hunts W99 or Dub. 400	B42033/19
C7,8,9	.01 μF	—	Metalmita	C41904/50
C10	50 μF	—	12V Electrolytic	B42033/7
C11,12	50 μF	—	350V Electrolytic	C41904/10
C13	.0002 μF	20	Hunts W99 or Dub. 400	B42033/13



VIEWED FROM PRINT SIDE