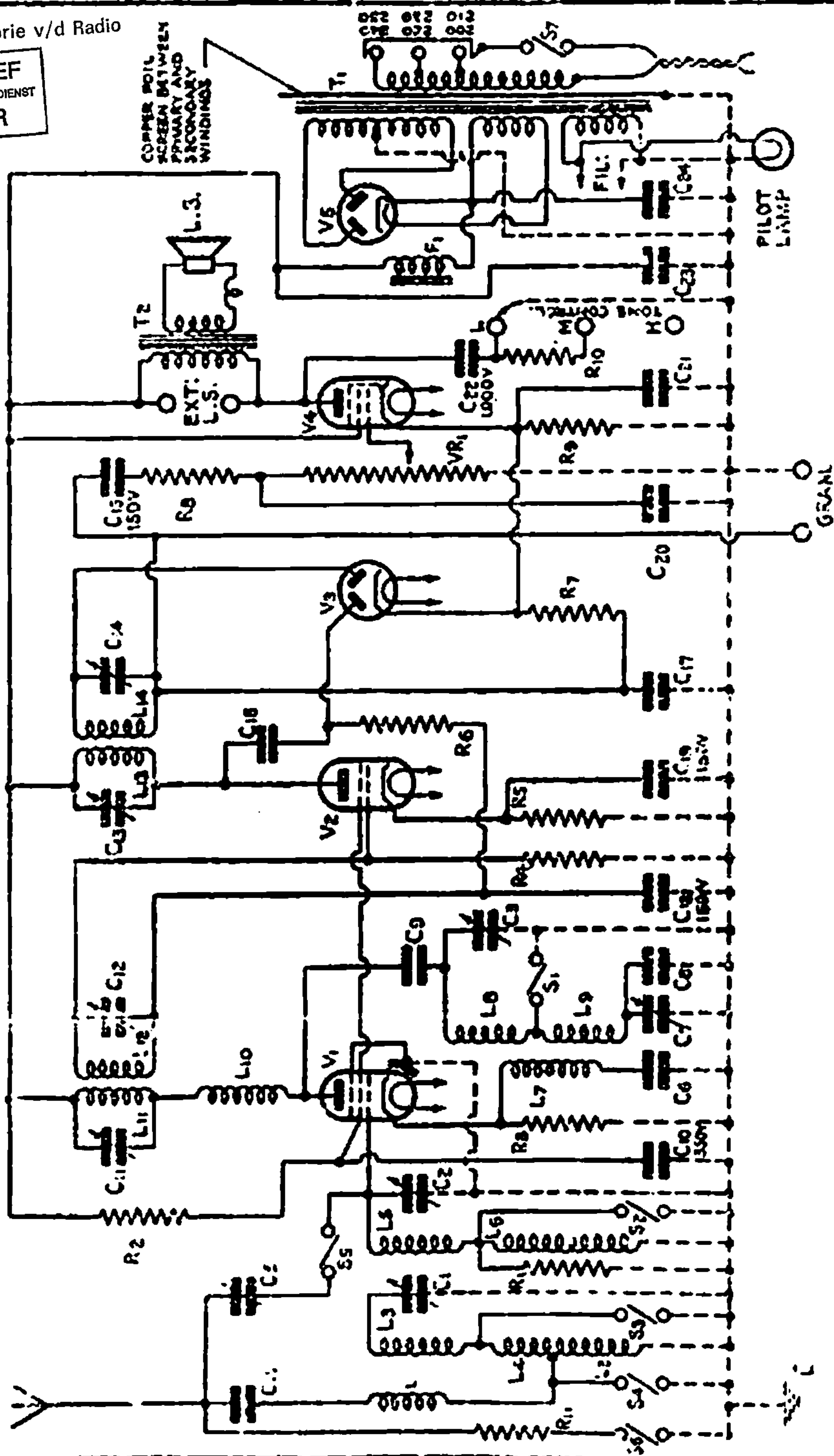




ARCHIEF  
DOCUMENTATIEDIENST  
NVHR

# CIRCUIT DIAGRAM & VALUES FOR MODEL AC64



Ref. No.	Description	Part No.	Price
L1	Band Pass Coil	M.W. Primary	
L2	" " "	L.W. Pri: Top	
L3	" " "	M.W. Sec: 1	DP131
L4	" " "	L.W. Sec: 1	
L5	" " "	M.W. Sec: 2	
L6	" " "	L.W. Sec: 2	
L7	Oscillator Coil	Cathode Section	
L8	" " "	M.W. Section	SA.21
L9	" " "	L.W. Section	
L10	H.F. Choke		
L11	1st I.F. Coil Primary		SA.10
L12	1st I.F. Coil Secondary		
L13	2nd I.F. Coil Primary		SA.20
L14	2nd I.F. Coil Secondary		
C1	Grid Condenser	.0025 mfd.	
C2	" " "	.0015 mfd.	D.3598
C3	" " "	.0014 mfd.	
C4	Fixed Condenser	.001 mfd.	A3842
C5	Pre-set Condenser		DP313
C6	Fixed Condenser	.0025 mfd.	A3840
C7	Pre-set Condenser		DP313
C8	Fixed Condenser	.0055 mfd.	A3841
C9	Fixed Condenser	.001 mfd.	A3840
C10	Fixed Condenser	.1 mfd.	A3844
C11	Pre-set Condenser		SA.10
C12	" " "		See Above
C13	" " "		
C14	" " "		SA.20
C15	Fixed Condenser	.01 mfd.	A3840
C16	" " "	.001 mfd.	A3840
C17	" " "	.1 mfd.	A3842
C18	" " "	.1 mfd.	A3845
C19	" " "	.1 mfd.	A3849
C20	" " "	.0015 mfd.	A3842
C21	" " "	.25 mfd.	A3265
C22	" " "	.01 mfd.	A3847
C23	" " "	.6 mfd.	B3510
C24	" " "	.8 mfd.	
R1	Fixed Resistor	50,000 ohms.	
R2	" " "	50,000 ohms.	A3751
R3	" " "	4,500 ohms.	
R4	" " "	1 megohm.	P2071
R5	" " "	100 ohms.	
R6	" " "	25 megohm.	A1363
R7	" " "	5 megohm.	
R8	" " "	30,000 ohms.	
R9	" " "	140 ohms.	DP315
R10	" " "	5000 ohms.	A3263
R11	" " "	20 ohms.	DP201
S1-5	Wave change Switch		SA.17
S6	Local Distance Switch (Ganged to S1-5)		
S7	Mute Switch (Ganged to V.R.L.)		B3920
V.R.L.	Volume Control	25 megohm	
T1	Speaker Field Coil		
T2	Main Transformer		SA.18
T3	Output Transformer		DP162
V1	Screened H.F. Pentode		
V2	Variable Mu H.F. Pentode		
V3	Double Diode		
V4	Output Pentode		
V5	Full Wave Rectifier		