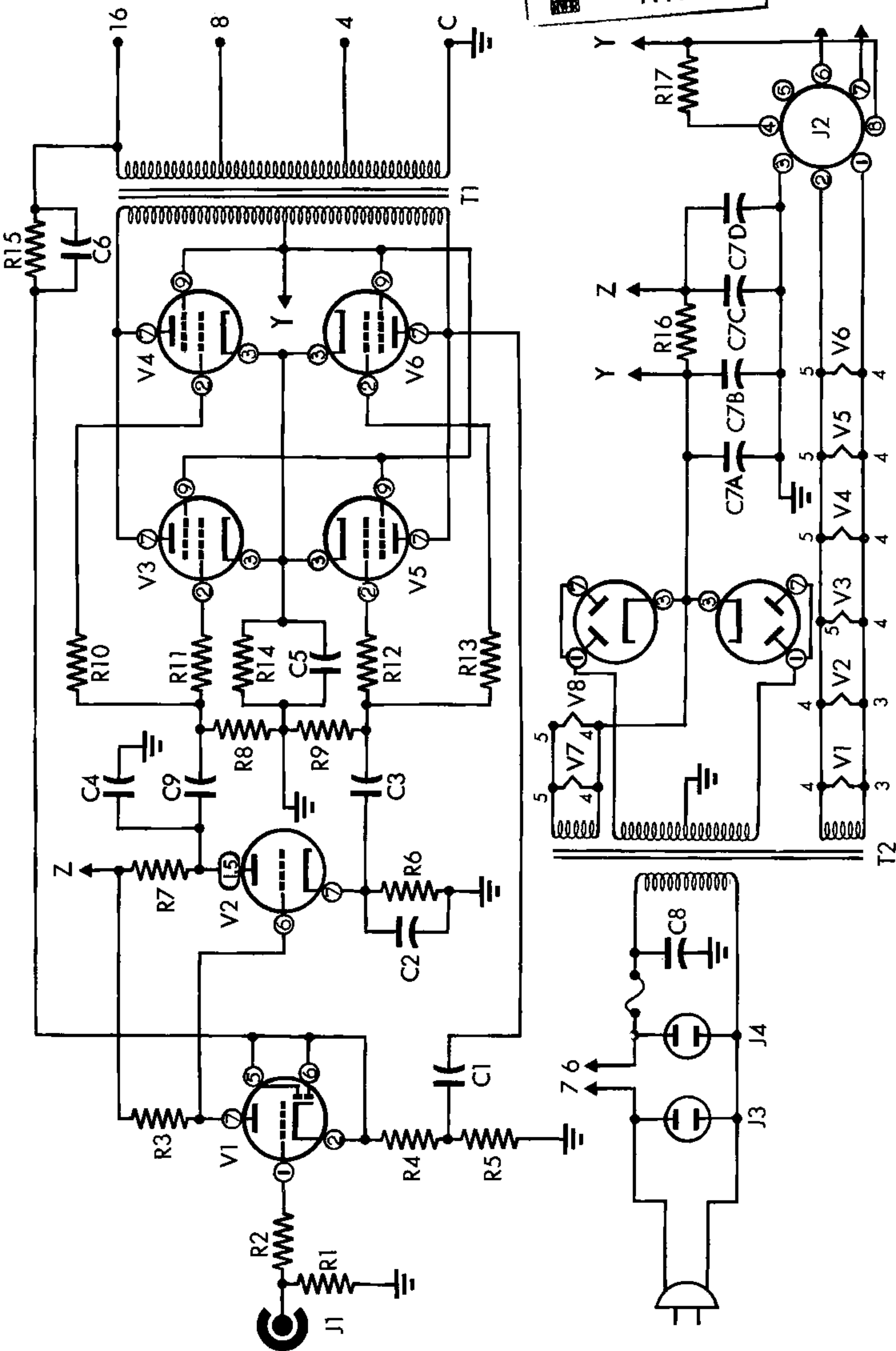
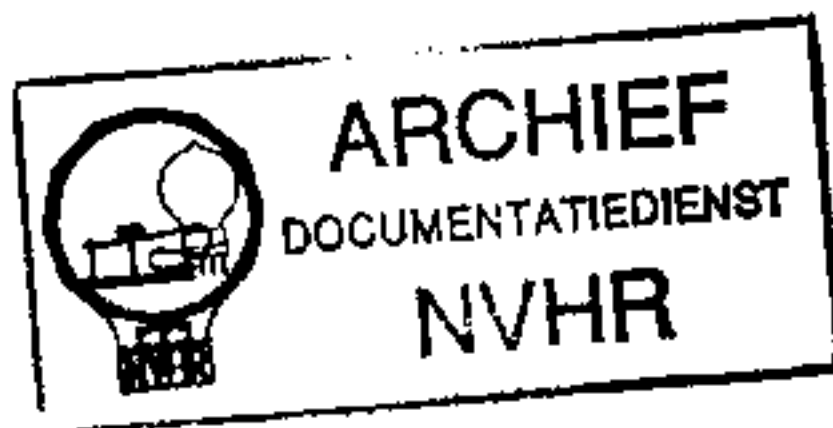


Met dank aan Jaap Verkade



Sym.	Description	Sym.	Description	Sym.	Description	Sym.	Description
C1	cap., disc., 47 mmf, 10%	R8	res., 470KΩ, 1/2W, ±10%	V1	res., 10KΩ, 1/2W, ±10%	V7	res., 1.6KΩ, 1/2W, ±5%
C2	cap., disc., 125 mmf, 10%	R9	res., 330KΩ, 1/2W, ±10%	V2	res., 330KΩ, 1/2W, ±10%	V8	res., 10KΩ, 1/2W, ±10%
C3	cap., disc., 1 mfd-400V, 10%	R10	res., 1KΩ, 1/2W, ±10%	V3	res., 1KΩ, 1/2W, ±10%	T1	transformer, audio output
C4	cap., disc., 125 mmf, 10%	R11	res., 1.6KΩ, 1/2W, ±5%	V4	res., 1KΩ, 1/2W, ±10%	T2	transformer, power
C5	cap., disc., 300 mfd-25V	R12	res., 47Ω, 1/2W, ±5%	V5	res., 1KΩ, 1/2W, ±10%	V1	tube, 6AV6
C6	cap., elec., 56 mmf, 10%	R13	res., 82KΩ, 1/2W, ±5%	V6	res., 1KΩ, 1/2W, ±10%	V2	tube, 5W, ±5%
C7	cap., elec., 2X 20 mfd-450V, 2X 10 mfd-350V	R14	res., 80Ω, 1/2W, ±5%	V7	res., 1KΩ, 1/2W, ±10%	V3	tube, EL84
C8	cap., molded, .03 mfd-600V	R15	res., 330KΩ, 1/2W, ±10%	V8	res., 10KΩ, 1/2W, ±10%	V4	tube, EL84
C9	cap., molded, .1 mfd-400V, 10%	R16	res., 330KΩ, 1/2W, ±10%	T1	transformer, audio output	V5	tube, EL84
F1	fuse, 2A	R17	res., 580Ω, 1/2W, ±10%	T2	transformer, power	V6	tube, EL84
J1	jack, phono-input type	T1	transformer, audio output	V1	tube, 6AV6	V7	tube, EZ81
J2	jack (octal socket), preamp power	V1	tube, 6AV6	V2	tube, 5W, ±5%	V8	tube, EZ81
J3	outlet, convenience	V2	tube, 5W, ±5%				
J4	outlet, convenience						

MODEL HF-30 30 WATT HIGH FIDELITY AMPLIFIER

