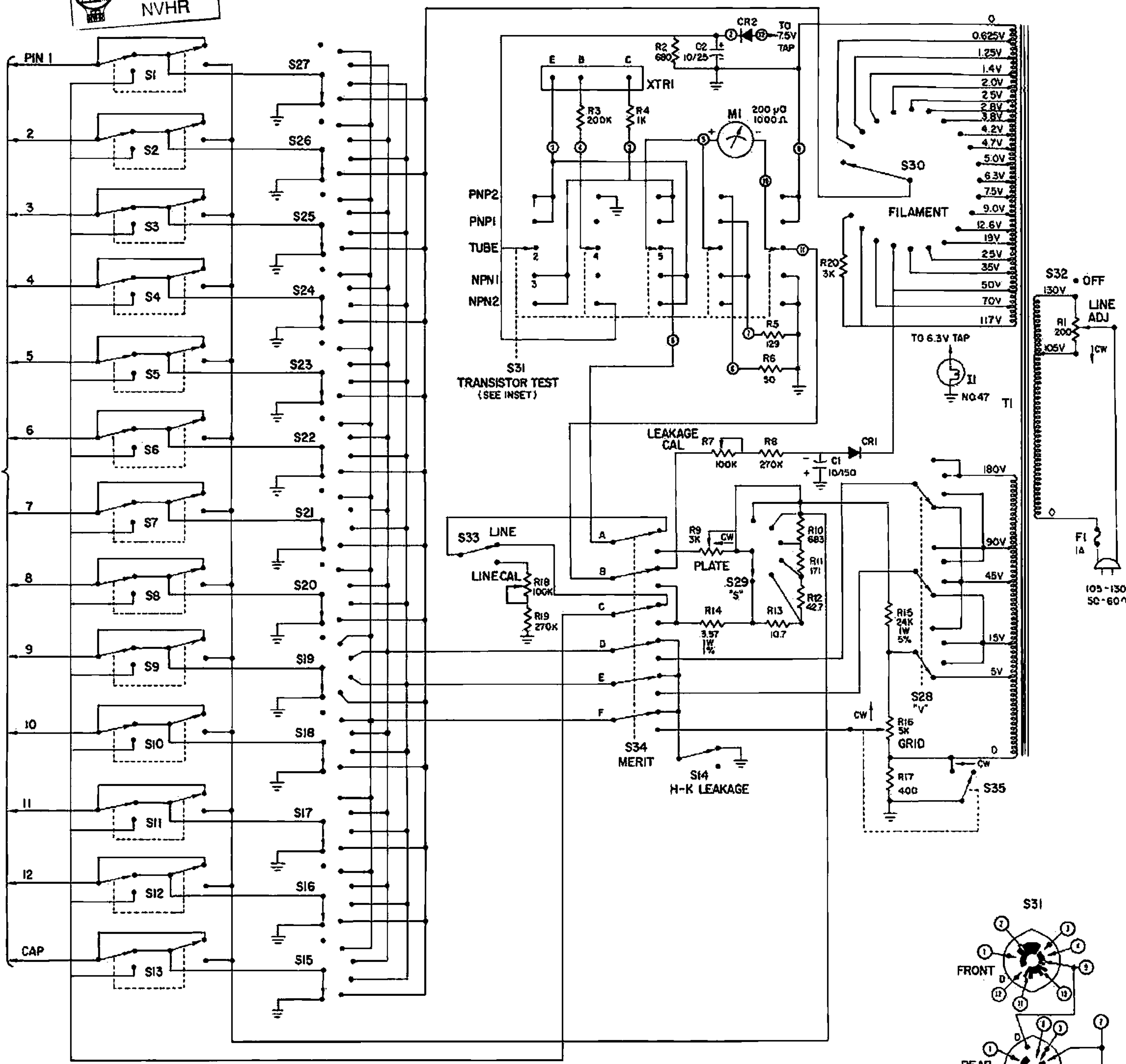


TO CORRESPONDING PINS ON TUBE SOCKETS XVI TO XVII



**NOTES:**  
 1) ALL RESISTANCE VALUES ARE IN OHMS  
 2) ROTARY SWITCHES ARE SHOWN VIEWED FROM THE SHAFT END AND IN THEIR EXTREME COUNTER-CLOCKWISE POSITIONS.

