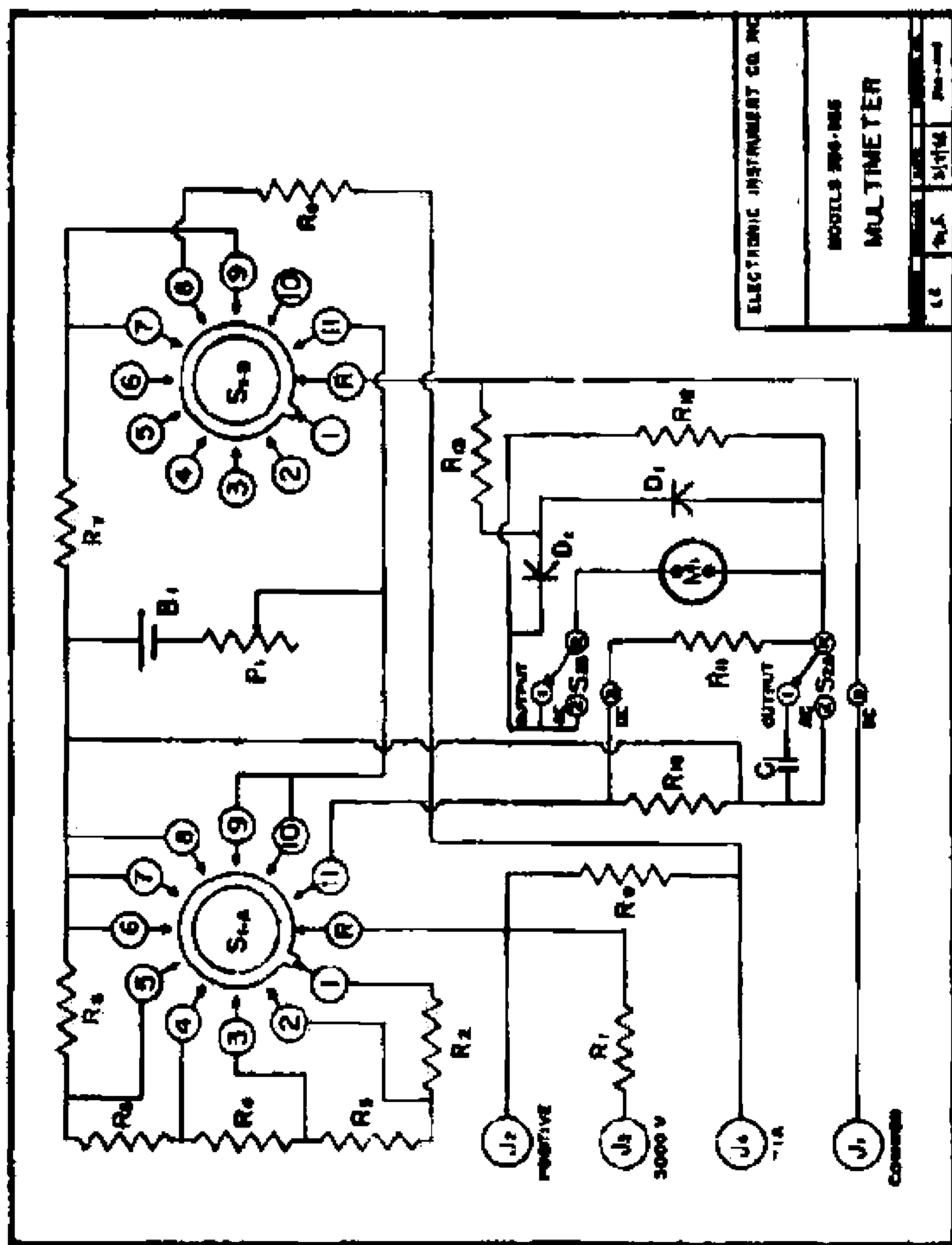
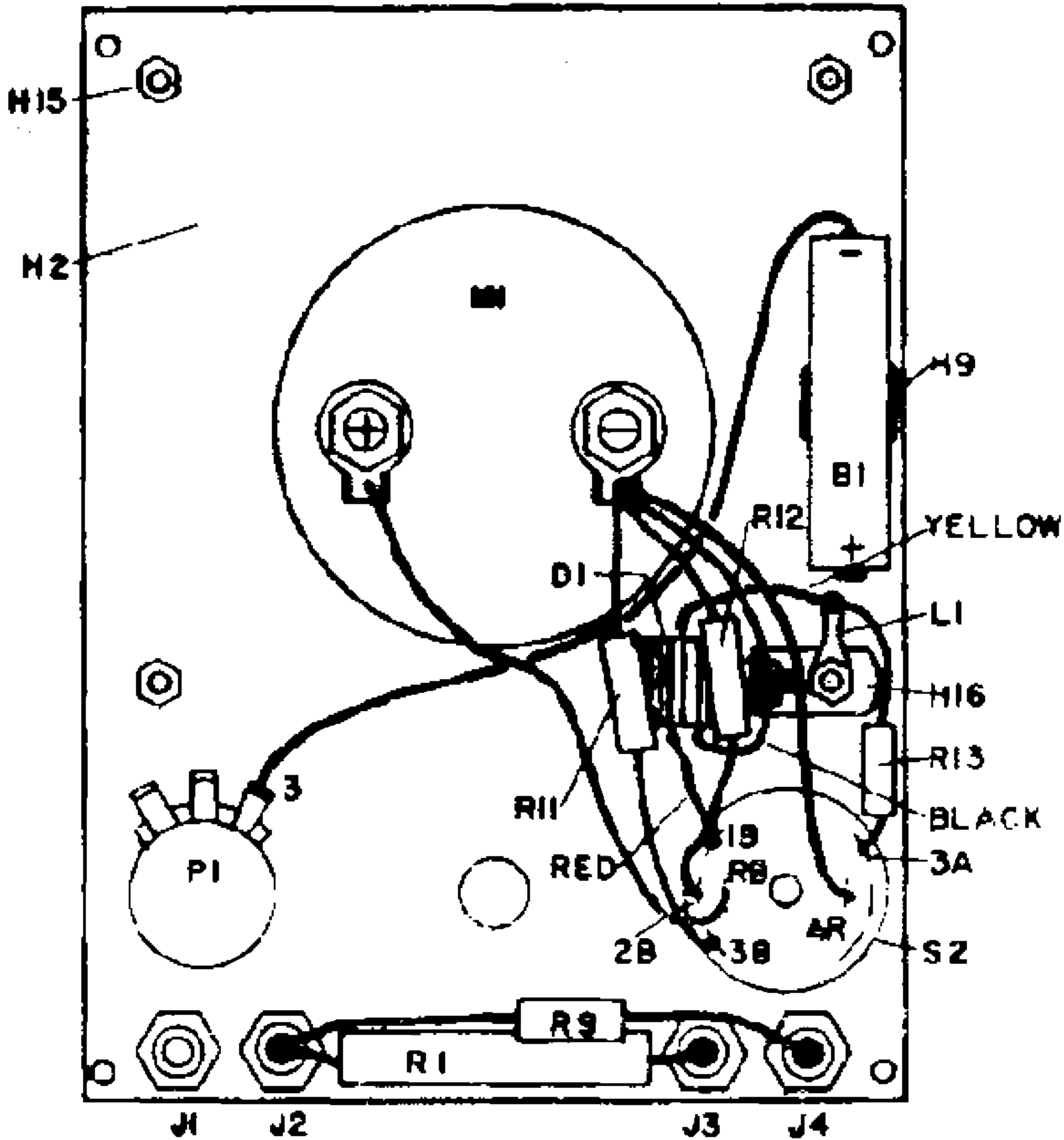


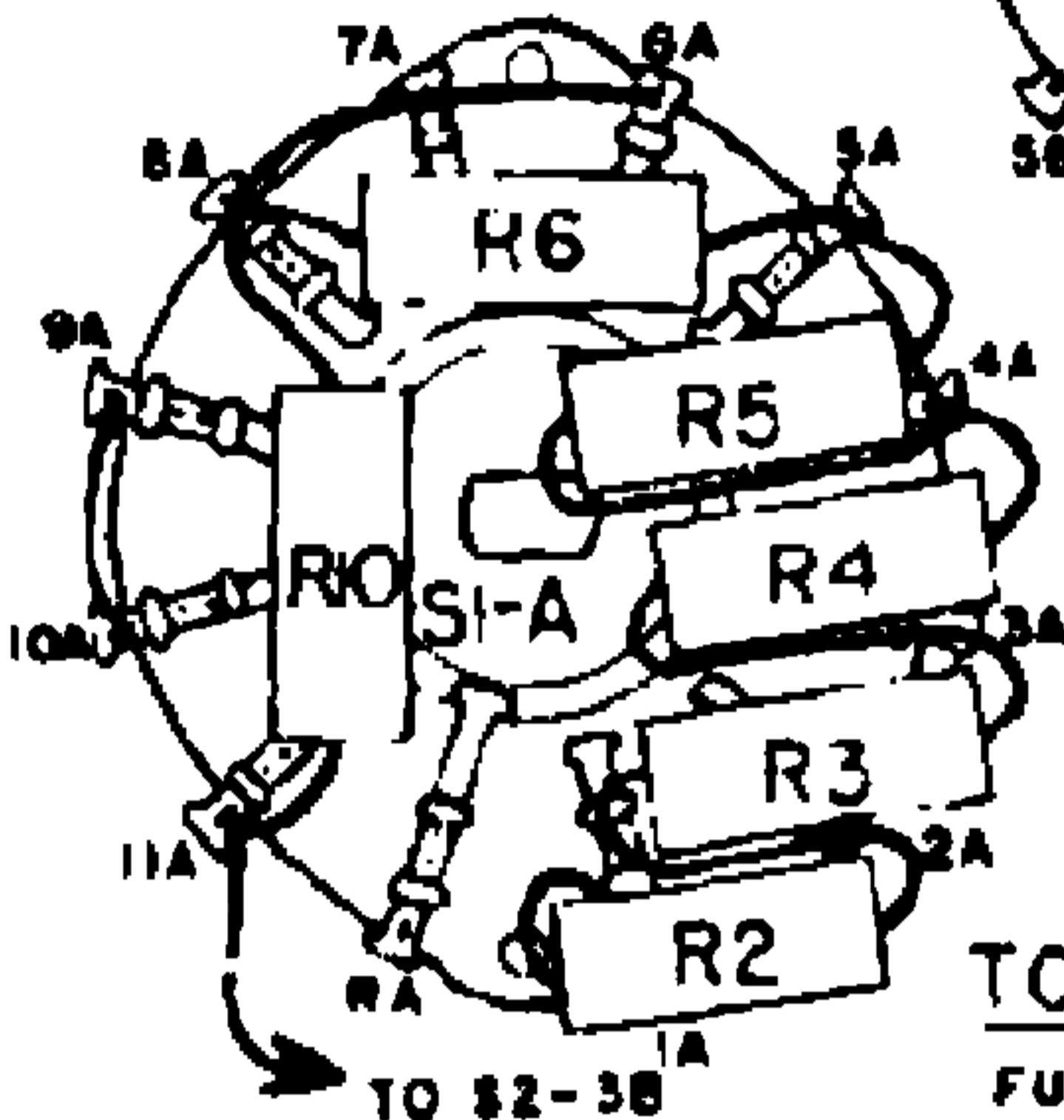
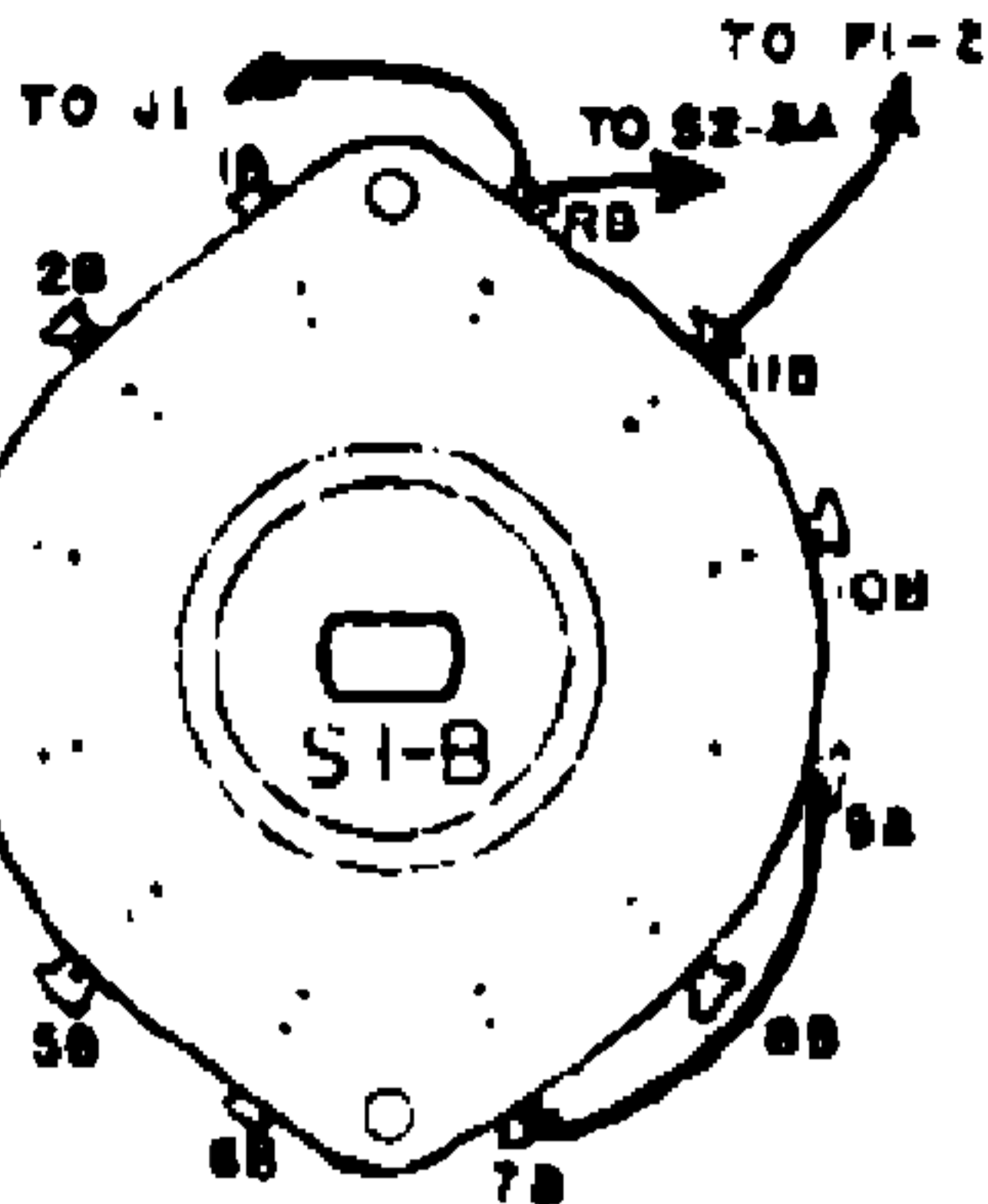
SYMBOL	DESCRIPTION
B1	1.5 VOLT BATTERY
C1	0.1 MFD CONDENSER
D1	RECTIFIER
M1	METER MOVEMENT
P1	600 OHM POT.
R1	4.5 MEG OHM RES. 2W
R2	400K OHM RES. 1/2W
R3	50K OHM RES. 1/2W
R4	40K OHM RES. 1/2W
R5	5K OHM RES. 1/2W
R6	4K OHM RES. 1/2W
R7	111.1 OHM RES. 1/2W
R8	9.09 OHM RES. 1/2W
R9	1.01 OHM RES. 1/2W
R10	94.0 OHM RES. 1/2W
R11	100 OHM RES. 1/2W
R12	2400 OHM RES. 1/2W
R13	672 OHM RES. 1/2W
S1	RANGE SWITCH
S2	2 P. - 11 POS. FUNCTION SWITCH





BOTTOM SECTION

NEAREST TO SHAFT



TOP SECTION

FURTHEST FROM SHAFT

FIGURE 1

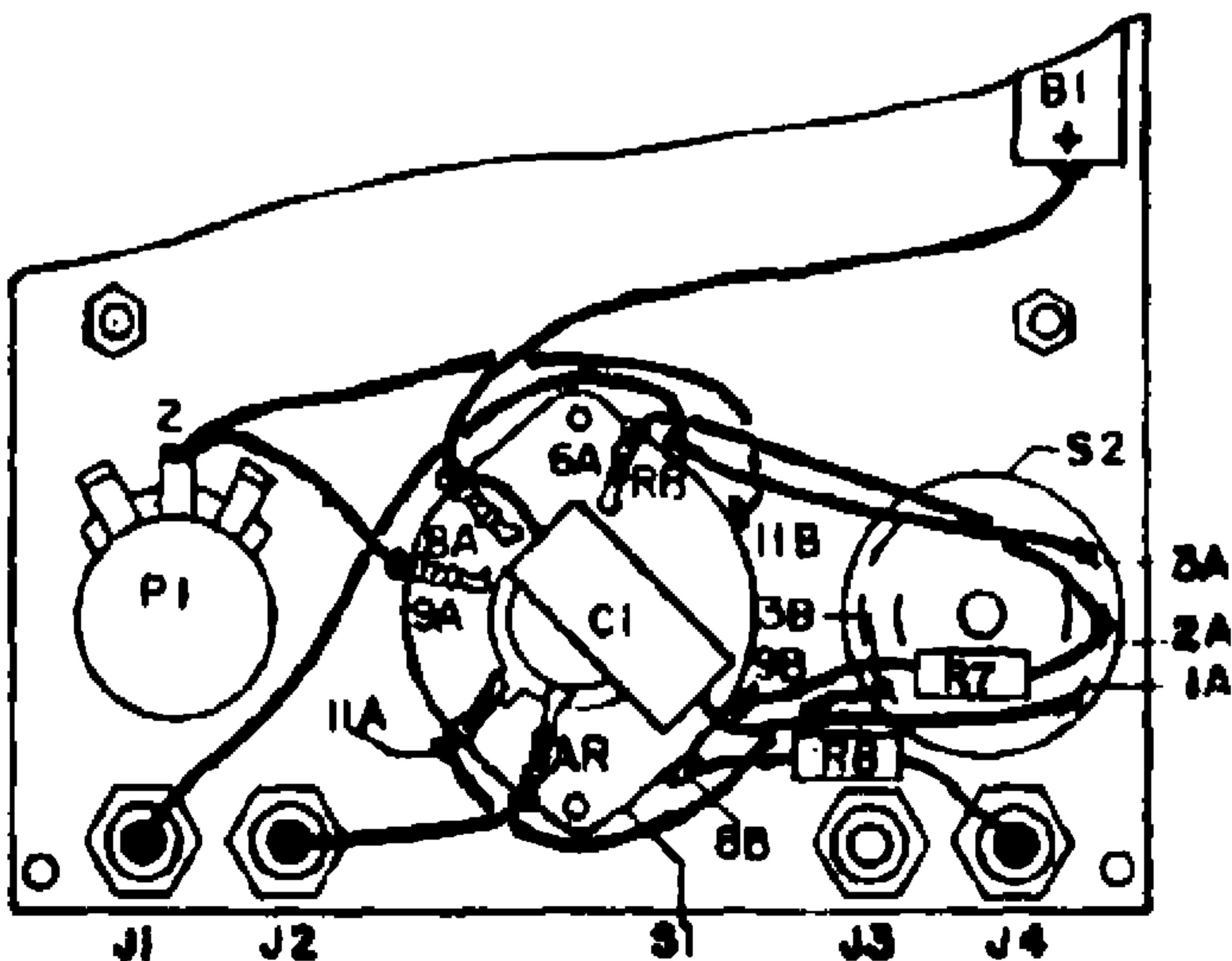


FIGURE 2

Stock #	Sym	Description	Am't.	Stock#	Sym	Description	Am't.	
56001	B1	1.5 volt battery	1	58300	H27	spaghetti	length	
20006	C1	.1 MFD condenser	1	58501	H28	bare wire	length	
96001	D1	rectifier	1	50005	J2,3	red jacks	2	
88005	H1	cabinet	1	50006	J1,4	black jacks	2	
80015	H2	panel	1	43000	L1	#5 solder lug	1	
41006	H3	10-24 handle screws	2	72002	M1	meter movement	1	
40005	H4	10-24 hex nuts	2	16008	P1	600 ohm pot	1	
45000	H5	#10 brass eyelets	2	(11900*)	11950	*R1	4.5M ohm res	1
42011	H6	#10 flat washers	2	(11029*)	11529	*R2	400K ohm res	1
42004	H7	#10 lock washers	2	(11022*)	11522	*R3	50K ohm res	1
87003	H8	handle	1	(11020*)	11520	*R4	40K ohm res	1
56501	H9	battery bracket	1	(11016*)	11516	*R5	5K ohm res	1
41016	H10	4-40 x 1/4 screw	1	(11014*)	11514	*R6	4K ohm res	1
40007	H11	4-40 hex nut	1	(11007*)	11507	*R7	111.1 ohm res	1
43003	H12	meter lugs	2	(13003*)	13503	*R8	9.09 ohm res	1
42016	H13	meter washers	2	(13001*)	13501	*R9	1.01 ohm res	1
40014	H14	meter nuts	2	(11009*)	11509	*R10	940 ohm res	1
40000	H15	meter mounting nuts	4		11005	R11	100 ohm res	1
40001	H17	3/8 hex nuts	3	(11041*)	11533	*R12	1200 ohm res	1
42001	H18	3/8 flat washers	3		60010	S1	Range switch	1
41017	H19	#4 panel screws	4		60000	S2	function switch	1
40015	H20	hex nuts for jacks	4		81901		bracket	1
42002	H22	#5 lock washer	1		19006		1K pot	1
53000	H23	bar knob	1	with {	43000		#6 gnd. lug	1
53002	H24	small pointer knob	1				instruction book	1
53001	H25	small round knob	1				construction book	1
58000	H26	hook-up wire	length					

* 1% in Model 556

NOTE: When ordering replacement parts, please include all of the following information: 1) stock number and description given in parts list; 2) quantity; 3) model number of instrument; 4) serial number of instrument (on panel). This information will expedite the processing of your order and insure your receiving the correct replacement parts.