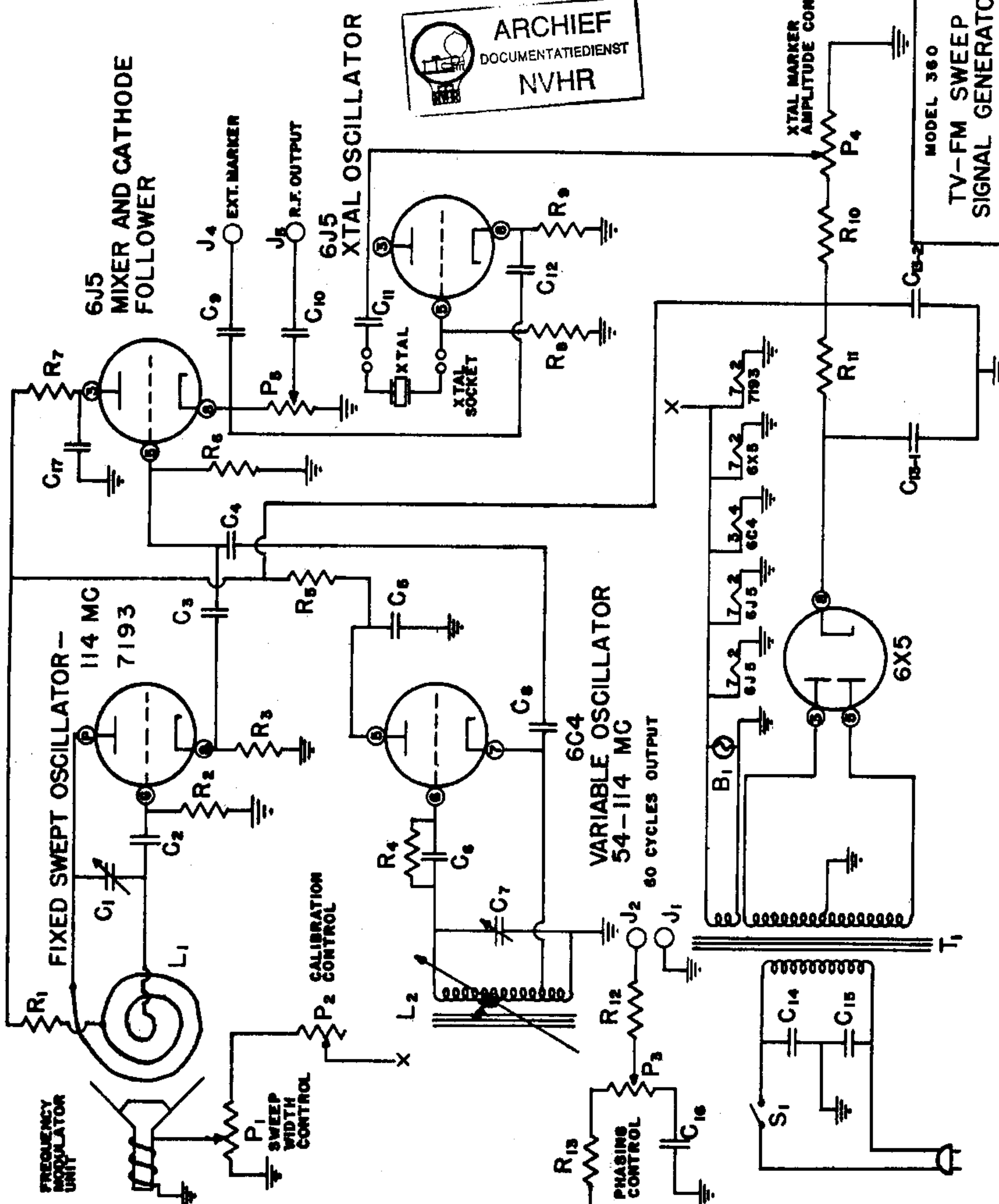
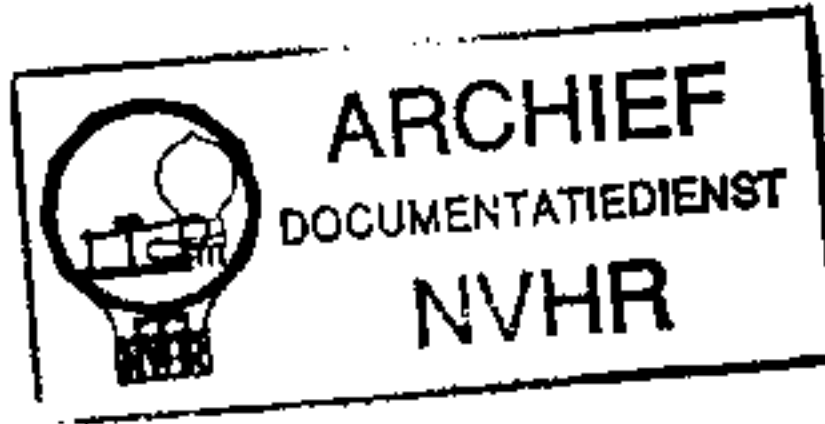


Compliments of Eckhard Kull

Ned. Ver. v. Historie v/d Radio



MODEL 360  
TV-FM SWEEP  
SIGNAL GENERATOR  
ELECTRONIC INSTRUMENT CO., INC.  
BROOKLYN, NY

|          |                   |
|----------|-------------------|
| DATE     | 360-4-235H-4-23-E |
| DWG. NO. |                   |
| REVISED  |                   |

| SYMBOL | DESCRIPTION               |
|--------|---------------------------|
| B1     | PILOT LIGHT               |
| C1     | 3-12 MMFD. CER. COND.     |
| C2     | 50 MMFD. CER. COND.       |
| C3     | 20 MMFD. CER. COND.       |
| C4     | 10 MMFD. CER. COND.       |
| C5     | 600 MMFD. CER. COND.      |
| C6     | 50 MMFD. CER. COND.       |
| C7     | 60 MMFD. TUNING COND.     |
| C8     | 10 MMFD. CER. COND.       |
| C9     | .01 MFD. TUBULAR COND.    |
| C10    | .01 MFD. TUBULAR COND.    |
| C11    | .01 MFD. TUBULAR COND.    |
| C12    | 100 MMFD. CER. COND.      |
| C13    | DUAL 10 MFD. FILTER COND. |
| C14    | .1 MFD. TUBULAR COND.     |
| C15    | .1 MFD. TUBULAR COND.     |
| C16    | .01 MFD. TUBULAR COND.    |
| C17    | 600 MMFD. CER. COND.      |
| J1     | GROUND CONNECTION         |
| J2     | 60 CYCLES OUTPUT          |
| J4     | EXT. MARKER INPUT         |
| J5     | R.F. OUTPUT               |
| L1     | FIXED OSCILLATOR COIL     |
| L2     | VARIABLE OSCILLATOR COIL  |
| P1     | 15 OHM POTENTIOMETER      |
| P2     | 15 OHM POTENTIOMETER      |
| P3     | 500K OHM POTENTIOMETER    |
| P4     | 250K OHM POTENTIOMETER    |
| P5     | 125 OHM POTENTIOMETER     |
| R1     | 5100 OHM 2 W RESISTOR     |
| R2     | 3900 OHM 1/2 W RESISTOR   |
| R3     | 33 OHM 1/2 W RESISTOR     |
| R4     | 20K OHM 1/2 W RESISTOR    |
| R5     | 3300 OHM 1/2 W RESISTOR   |
| R6     | 270K OHM 1/2 W RESISTOR   |
| R7     | 10K OHM 2 W RESISTOR      |
| R8     | 47K OHM 1/2 W RESISTOR    |
| R9     | 470 OHM 1/2 W RESISTOR    |
| R10    | 5100 OHM 1 W RESISTOR     |
| R11    | 510 OHM 2 W RESISTOR      |
| R12    | 100K OHM 1/2 W RESISTOR   |
| R13    | 10K OHM 1/2 W RESISTOR    |
| S1     | SPST SWITCH               |
| T1     | POWER TRANSFORMER         |

