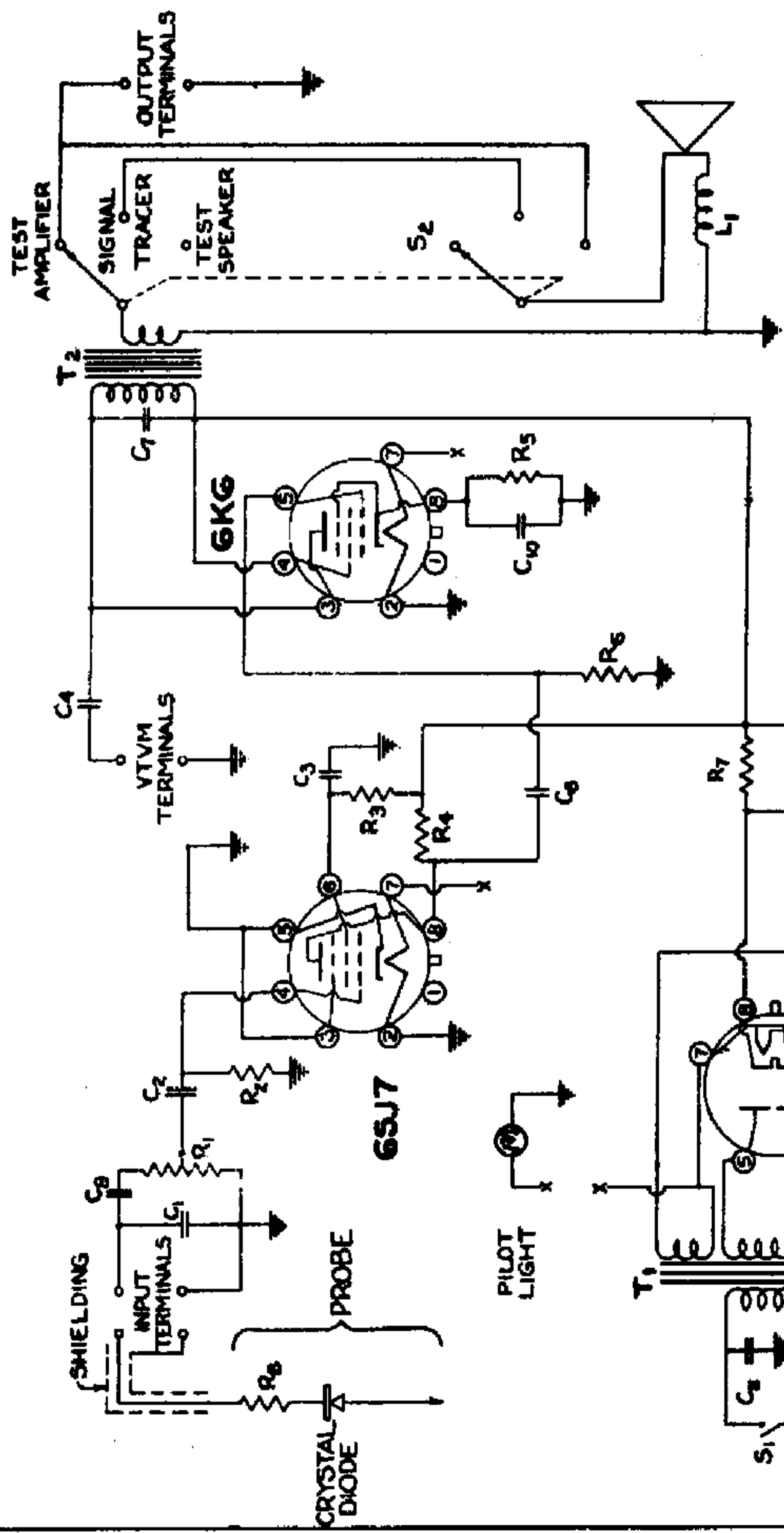
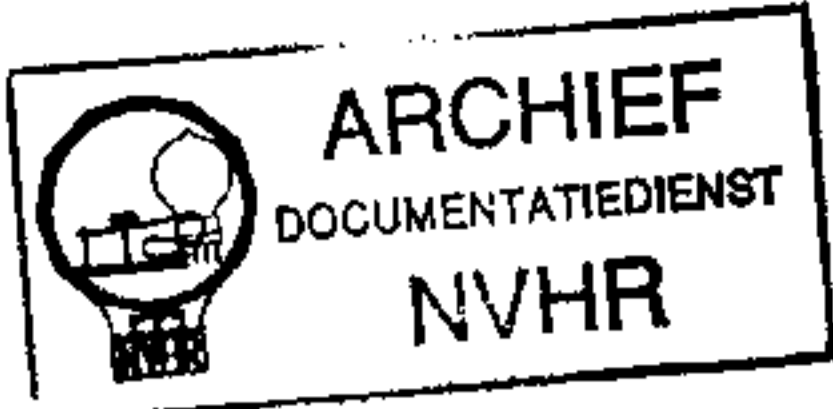




ITEM	PART #	DESCRIPTION
R1	9	SCALE POT., WITH SWITCH
R2	10	10 MEG. RESISTOR
R3	11	2 MEG. RESISTOR
R4	12	SLIDE RESISTOR
R5	13	470 OHM RESISTOR
R6	12	510 K RESISTOR
R7	14	1000 OHM RESISTOR
R8	15	51000 OHM RESISTOR
C1	16	50 MUF MICA CONDENSER
C2	17	.01 MFD. CONDENSER
C3	18	.05 MFD. CONDENSER
C4	19	.002 MFD. CONDENSER
C5	20	DUAL 6 MFD. CONDENSER
C6	20	" " " "
C7	19	.002 MFD. CONDENSER
C8	17	.01 MFD. CONDENSER
C9	17	.01 MFD. CONDENSER
C10	21	10 MFD. OR OVER CONDENSER
C11	17	.01 MFD. CONDENSER
T1	6	POWER TRANSFORMER
T2	7	OUTPUT TRANSFORMER
R1	22	PART OF R1
S1	22	OUTPUT SWITCH



MODEL 145
MULTI-SIGNAL
TRACER
ELECTRONIC
INSTRUMENT CO. INC.

FORM	CHECKED	DATE
145	145-01	5/25/49