

Thomas A. Edison, Inc.

Model: SPLITDORF ABBEY

Chassis:

Year: Pre 1932

Power:

Circuit:

IF:

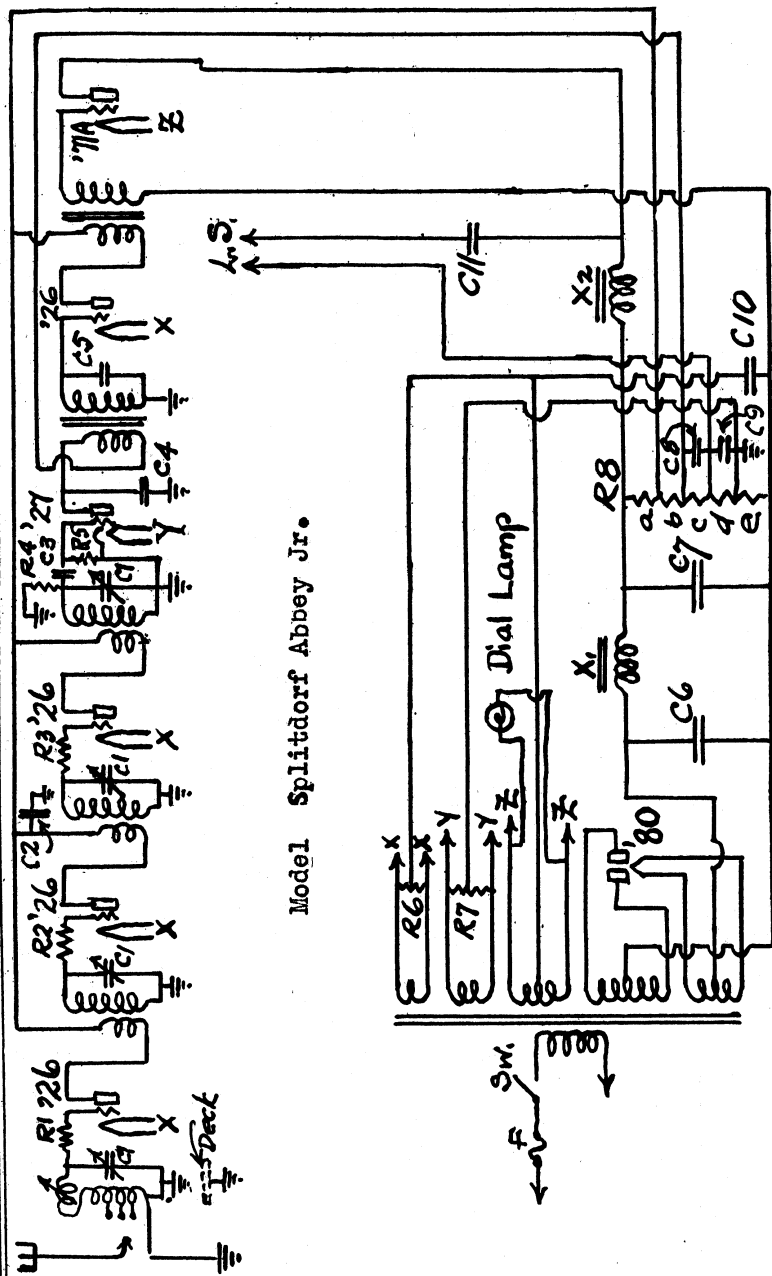
Tubes:

Bands:

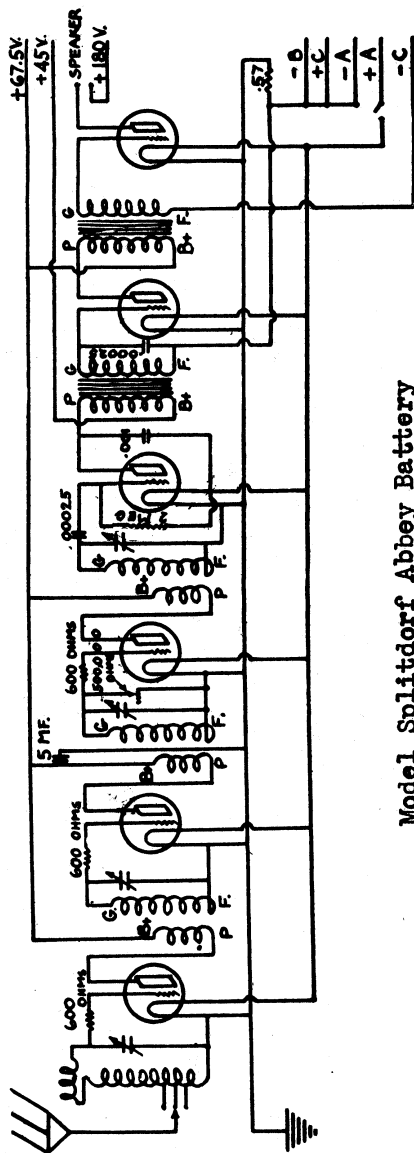
Resources

Riders Volume 1 - EDISON 1-11

THOMAS A. EDISON, INC. MODEL Splitdorf Abbey Jr.
MODEL Splitdorf Abbey Bat
Schematic

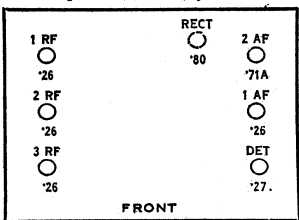


Model Splitdorf Abbey Jr.



Model Splitdorf Abbey Battery

Model Splitdorf Abbey Jr.



Model Splitdorf Abbey—Battery

