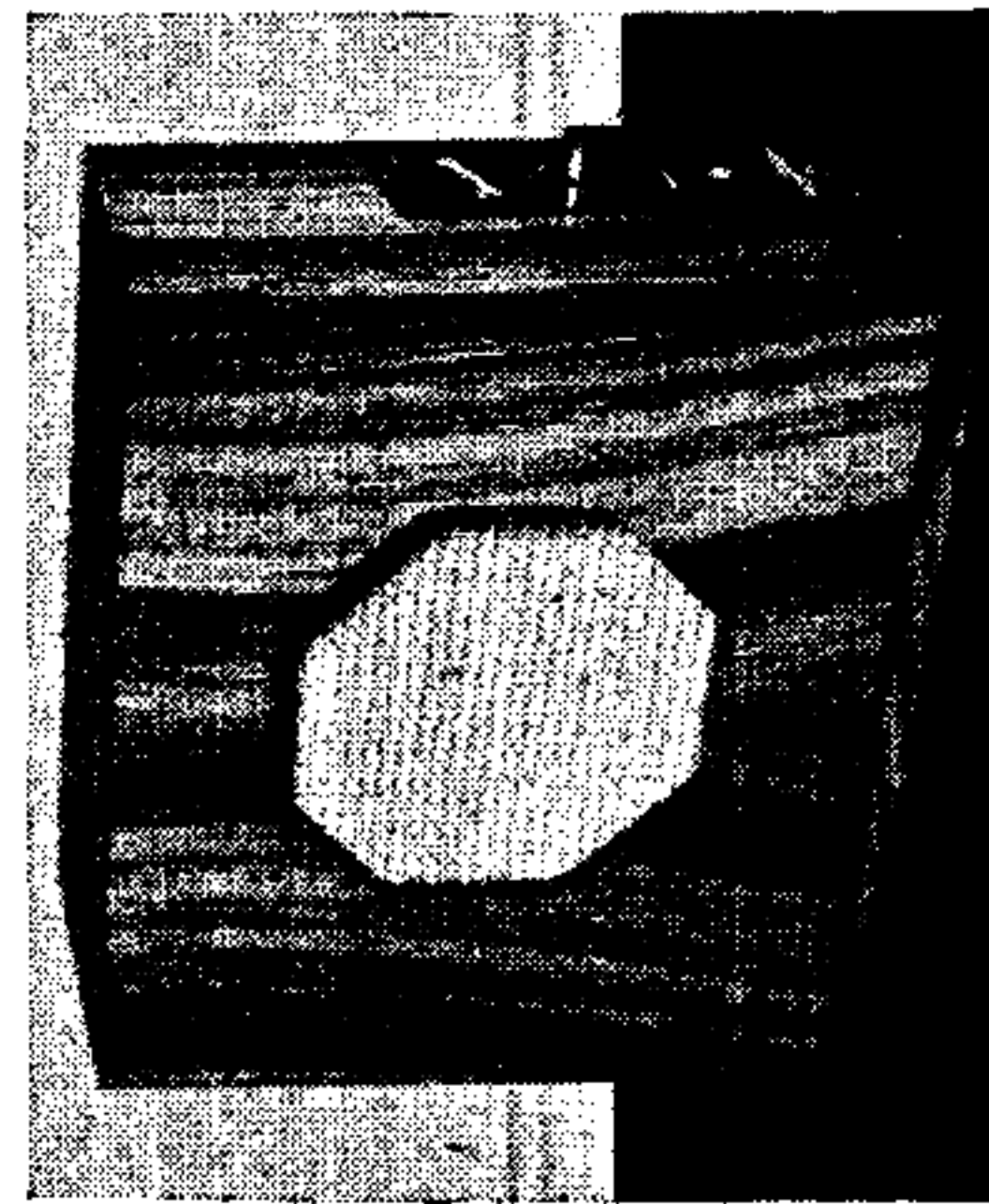


DENCO DR22

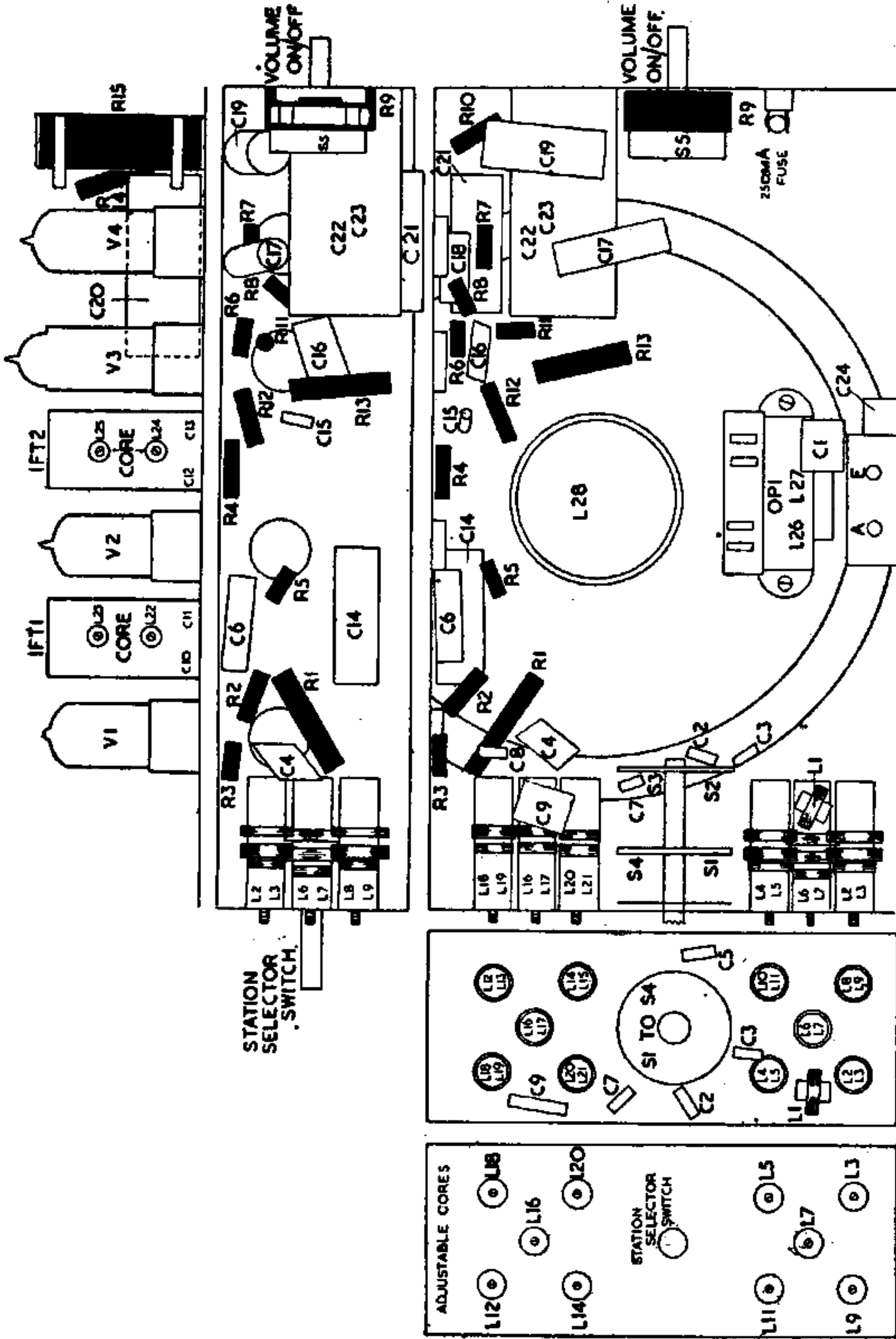
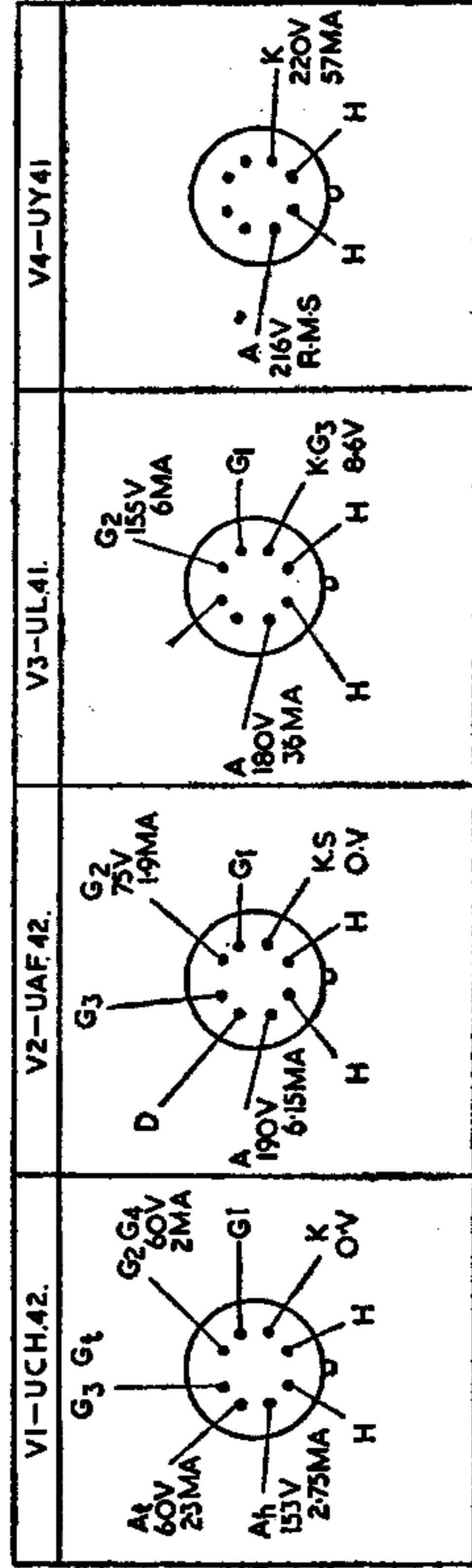
Four-valve superhet with five pre-set tuned channels selected by a rotary switch. Designed to operate on 200-240V AC-DC mains supplies. Walnut and sycamore or mahogany veneered cabinet. Made by Denco (Clacton), Ltd., 355-359 Old Road Clacton-on-Sea, Essex.



AERIAL is fed through isolating capacitor C1 to S1, and thence to coupling coils L2, L4, L6, L8 and L10. On positions 1 and 2 of selector switch S1 the aerial signal is fed to coils L2, L4 through an RF choke L1. Earth socket of receiver is isolated from the chassis by C24.

L3, L5, L7, L9 and L11 are the permeability-tuned grid coils and S2 connects them to fixed tuning capacitor C5, and through C4, to signal grid of triode-hexode frequency-changer V1. C2, C3 provide extra capacity on range 1 and 2. AVC is applied to g1 through R2 and is decoupled by R4, C6. Cathode is connected down to chassis. Screen voltage (g2, g4) is obtained from R1, which

Continued opposite



RESISTORS

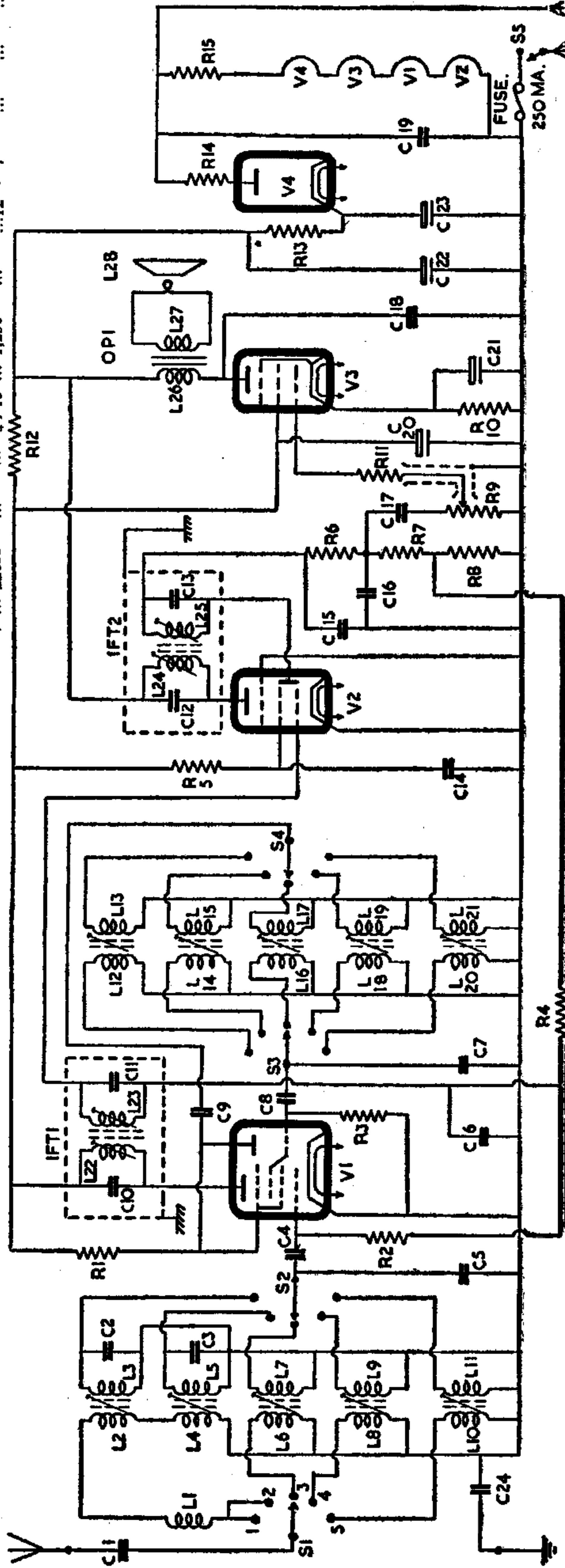
R	Ohms	Watts
1	22K	...
2	1M	...
3	47K	...
4	2M	...
5	47K	...
6	47K	...
7	220K	...
8	100K	...
9	500K	...
10	220	...
11	100K	...
12	2.2K	...
13	500	...
14	200	...
15	1,250	...

INDUCTORS

L	Ohms	Watts
1	28	...
2	11, 20	...
3
4
5
6
7

CAPACITORS

C	Capacity	Type
1	500pF	Silver Mica
2	200pF	Tubular C'mic
3	200pF	Tubular C'mic
4	250pF	Silver Mica
5	100pF	Tubular C'mic
6	100pF	Tubular C'mic
7	.025	Tubular 350v
8	100pF	Tubular C'mic
9	50pF	Tubular C'mic
10	250pF	Silver Mica
11	100pF	Tubular C'mic
12	100pF	Tubular C'mic
13	100pF	Tubular C'mic
14	.1	Tubular 350V
15	50pF	Tubular C'mic
16	250pF	Silver Mica
17	.05	Tubular 350V
18	.001	Tubular 350V
19	.1	Tubular 500V
20	8	Electrolytic 350V
21	25	Electrolytic 25V
22	32	Electrolytic 350V
23	32	Electrolytic 350V



DENCO DR22

also provides oscillator anode (At) voltage of V1. L22, C10, which form the primary of IFT1, are in the hexode anode circuit.

Oscillator is connected in a tuned-grid parallel-fed circuit. L12, L14, L16, L18, L20 are the permeability-tuned coils which are connected by S3 to fixed tuning capacitor C7, and through C8 to oscillator grid of V1. Automatic bias for grid is developed on C8 with R3 as leak resistor. As each range is tuned to a specific frequency no tracking capacitors are required.

Anode reaction voltages are developed inductively by L13, L15, L17, L19, L21 and are fed by S4 through coupling capacitor C9 from oscillator anode. R1, which feeds screen, also functions as oscillator anode load.

IF amplifier operates at 465 kc/s. L23, C11, which form the secondary of IFT1, feed signal and AVC voltages to grid of RF pentode section of V2. R4, C6 decouple the AVC line.

Cathode of V2 is connected down to chassis. Screen voltage is obtained from R5 decoupled by C14 and suppressor grid is earthed to chassis. L24, C12, the primary of IFT2, is in the anode circuit.

Signal rectifier. L25, C13, which form the secondary of IFT2, feed signal to diode section of V2. R7, R8 form a tapped load resistor and R6, C15, C16 constitute an IF filter.

AVC is provided by the DC component of the rectified signal and is tapped off from junction of R7, R8 and is fed by R4 to grids of V1 and V2. C6 is decoupling capacitor.

Output stage. C17 feeds rectified signal to R9, the volume control, and thence, through stopper resistor R11, to grid of output pentode V3. Cathode bias is provided by R10 and decoupled by C21.

Screen voltage is obtained from R12 and decoupled by C20. L26, the primary of OP1, the output matching transformer, is in the anode circuit. C18 is a fixed tone correction capacitor.

L27, the secondary of OP1, feeds into an 8 inch PM loudspeaker, L28.

High tension is provided by an indirectly heated half-wave rectifier, V4. Its anode voltage is obtained direct from the input mains. R14 is a current limiter and C19 a filter capacitor. R13, C22, C23 provide resistance capacity smoothing.

Heaters of V1 to V4 are series connected and obtain current of 100 mA from the mains through voltage dropper R15. S5, which is ganged to the volume control spindle, is the on-off switch.

A 250 mA fuse is inserted in the mains lead to chassis.

Chassis removal. Remove the two control knobs and rear panel of cabinet. Remove the two wood screws securing AE/E panel brackets to bottom of case. Unsolder leads to primary of OP1 on the loudspeaker.

Remove the two chassis bolts on underside of cabinet. Carefully press inwards the righthand side panel (viewed from rear) of chassis so that volume control spindle clears the side of cabinet, and withdraw chassis.

The manufacturers have allowed sufficient "play" in the wiring to avoid strain or damage to components when the righthand side panel of chassis is pressed inward.

TRIMMING INSTRUCTIONS

Apply signal as stated below	Tune Receiver to	Trim in Order stated for Max. Output
(1) 465 kc/s to g1 of V1 via .01µF ...	—	Core L25, L24, L23, L22
(2) 170—225 kc/s to AE E sockets via dummy aerial ...	Switch 1	Core L12, L3
(3) 190 — 260 kc/s as above ...	2	Core L14, L5
(4) 530 — 700 kc/s as above ...	3	Core L16, L7
(5) 740—1,000 kc/s as above ...	4	Core L18, L9
(6) 1.08—1.48 mc/s as above ...	5	Core L20, L11

(7) Finally check setting of cores on actual station signal and re-adjust if necessary