

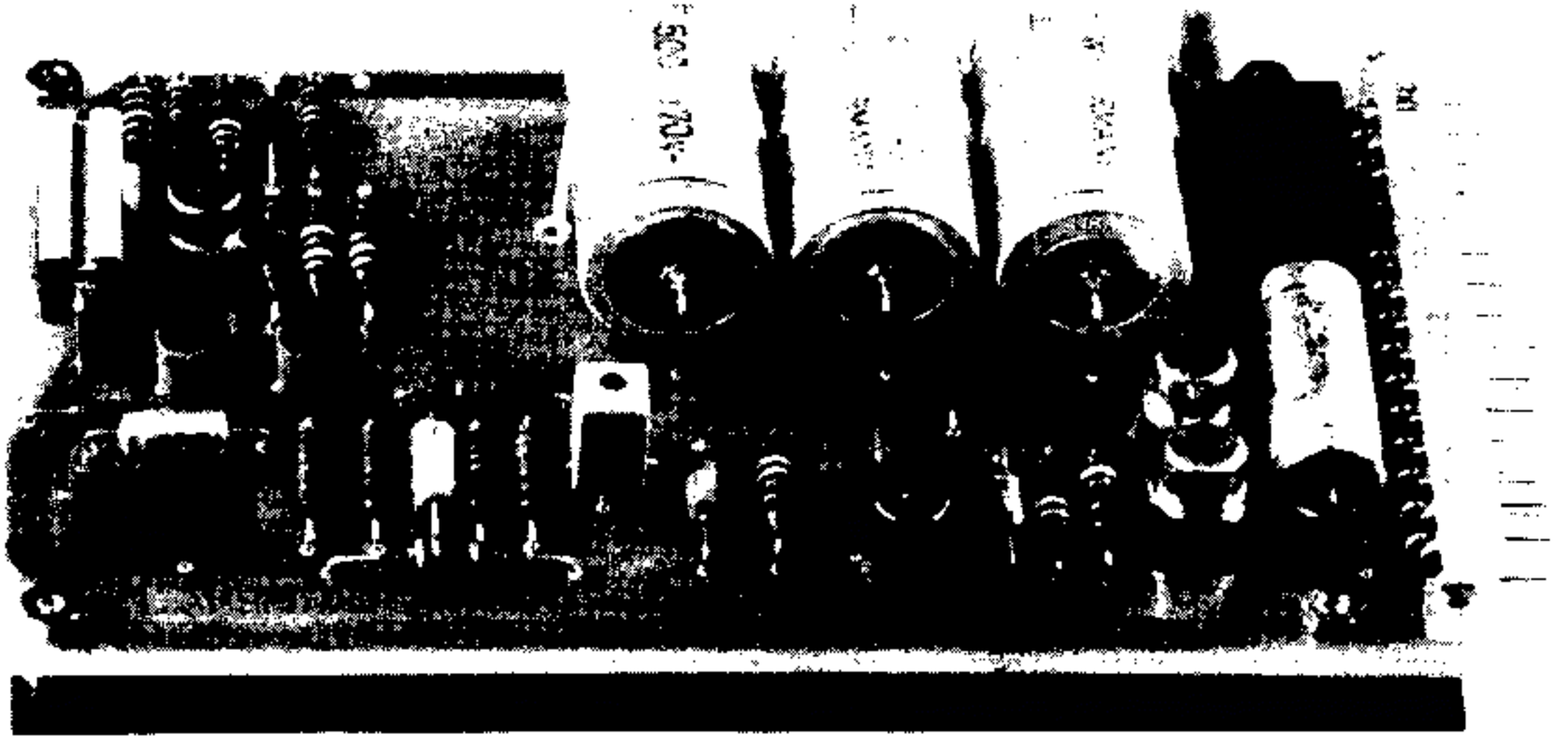
Met dank aan A.R.A. van Rossum

n.v. delta elektronika

nieuwe boogerdstraat 2 zierikzee holland telefoon (01110) 2734

Historie v/d Radio

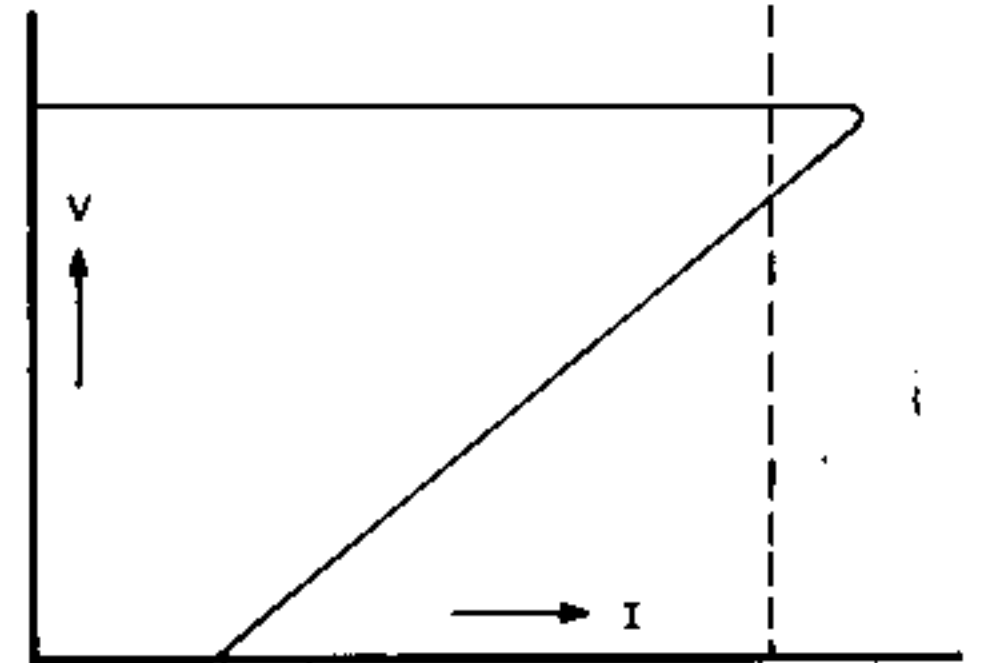
ARCHIEF
DOCUMENTATIEDIENST
NVHR



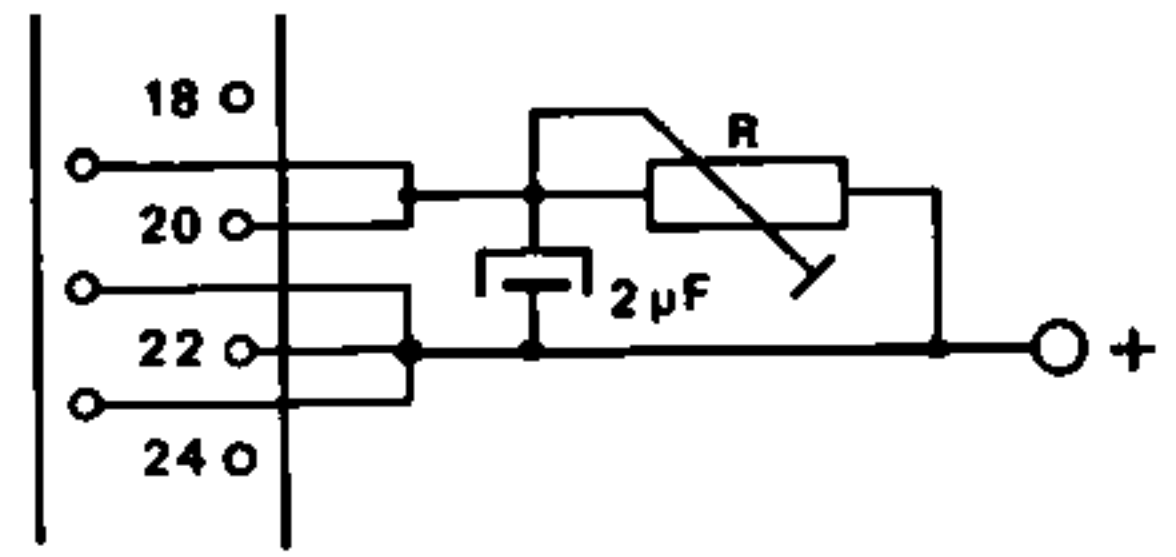
REGULATED POWER SUPPLY C 30-1

6-30 V, 1 A

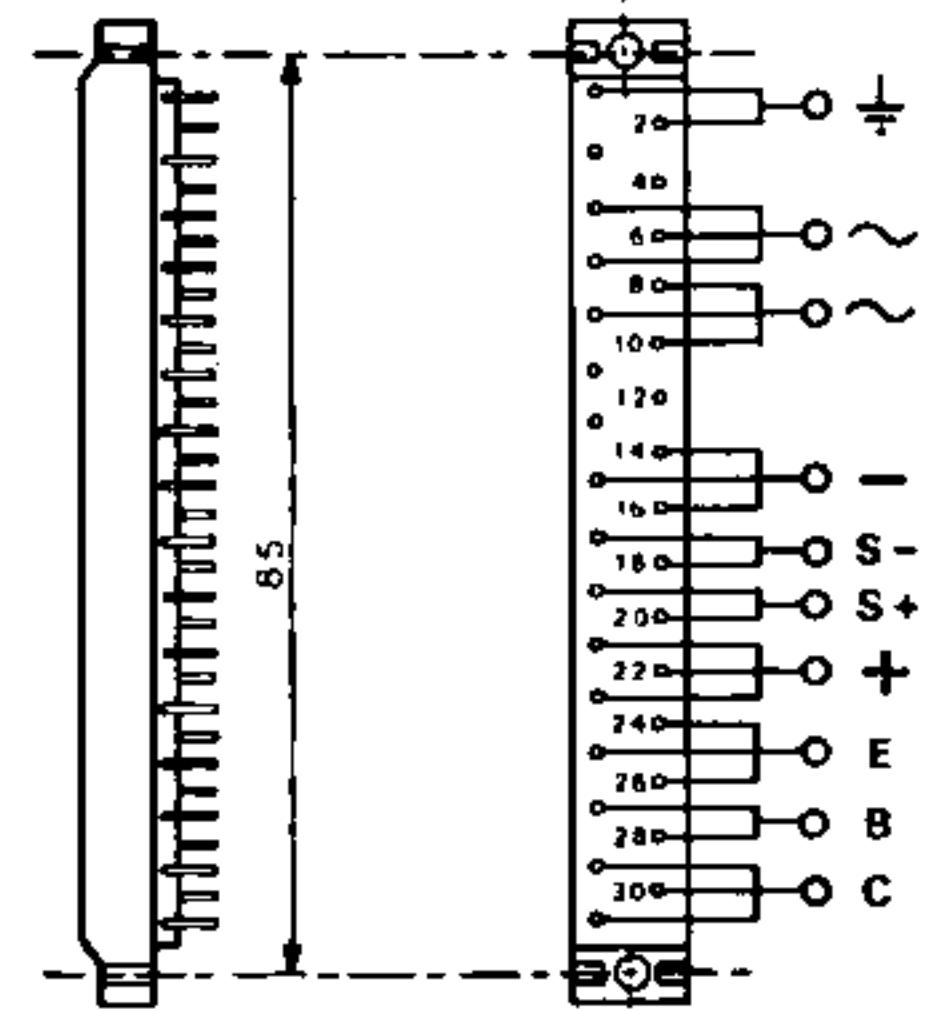
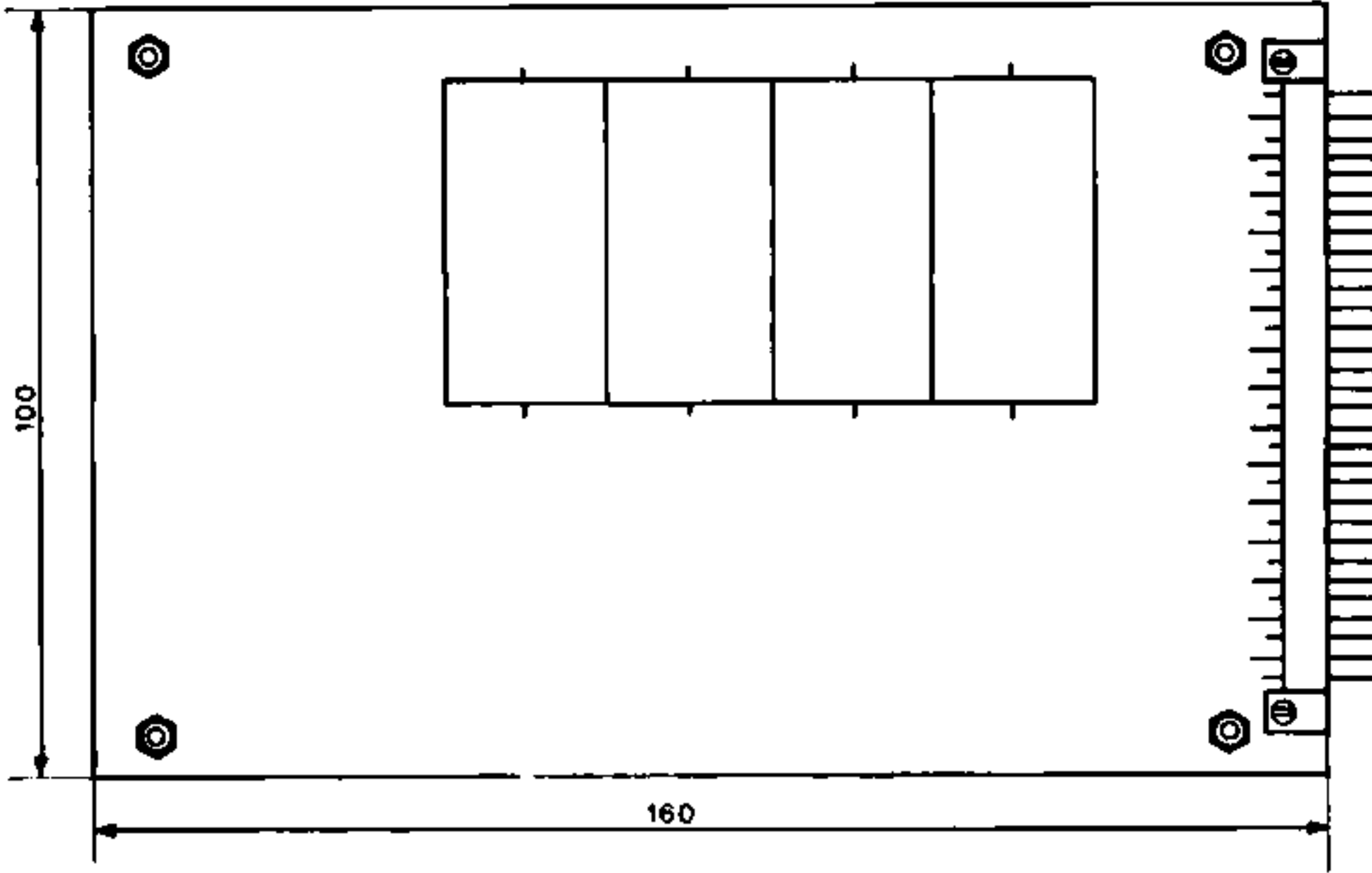
- Output voltage** Model C 30-1 is intended to be used as a power supply with a fixed output voltage between 6 V and 30 V DC.
- Voltage adjustment** The output voltage is continuously adjustable between 6 and 30 V with a 20 turn wire wound potentiometer. However, to keep the dissipation low, the required AC input voltage is divided in certain ranges.
- Output current** 1 Ampere maximum.
- Current limit** On overload the current falls to a safe value. The output voltage returns on removal of the overload condition.
- Voltage regulation** 5 mV for a + or - 10 % AC input voltage variation
10 mV for a maximum load variation.
- Temp. coefficient** 0.05 % per °C maximum.
- Ripple** 0.1 mV rms, 0.5 mV p-p.
- Output Impedance** Maximum 100 milli-ohms for load variations up to 100 kHz.
- Recovery time** 10 micro-seconds for recovery to within 30 mV after a step load change from 10 % to 100 %.
- Parallel and series connection** Units can be connected in series and parallel.
- Ambient temperature** - 20 to + 50 °C at full load and nominal input voltage
- Weight and dimensions** 0.4 kgs, 100 x 160 x 45 mm.



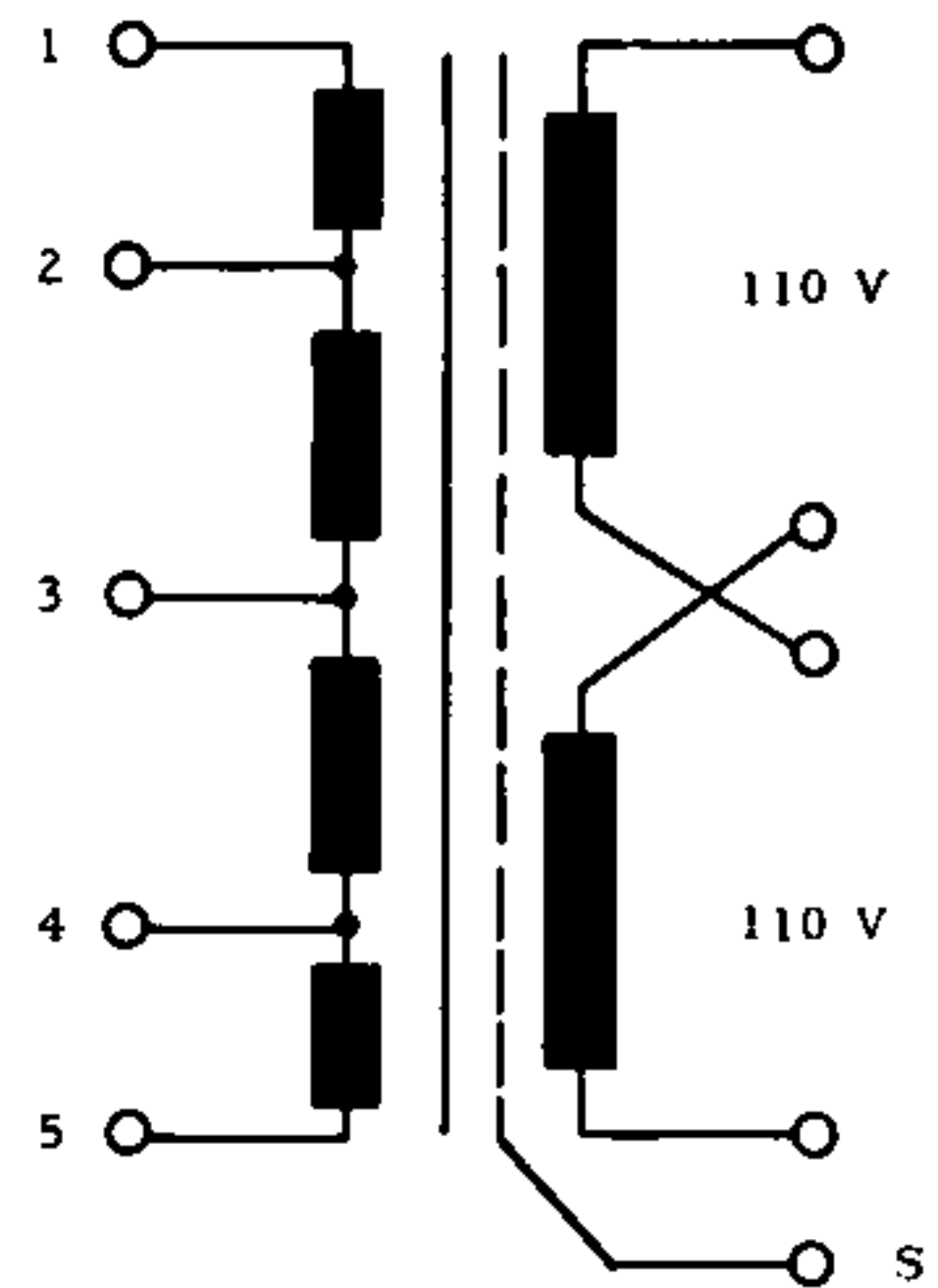
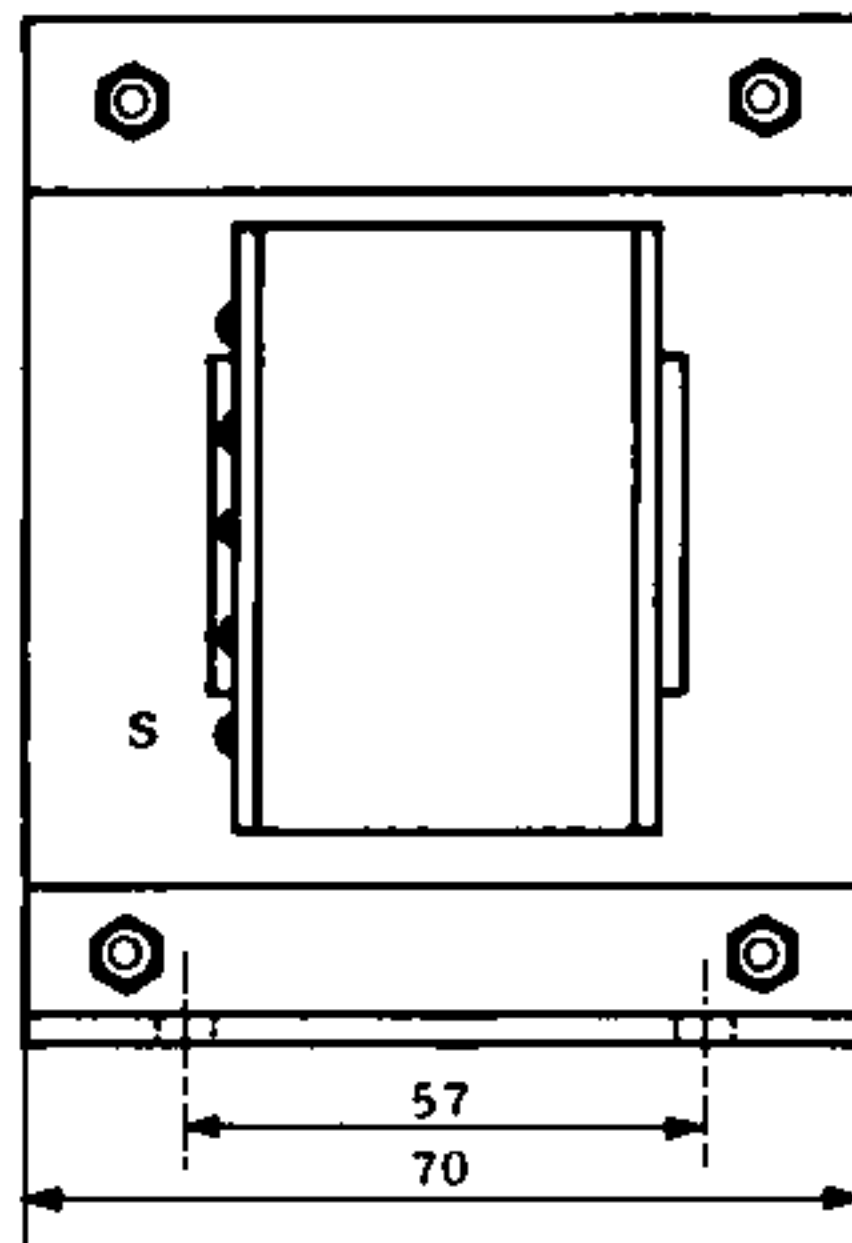
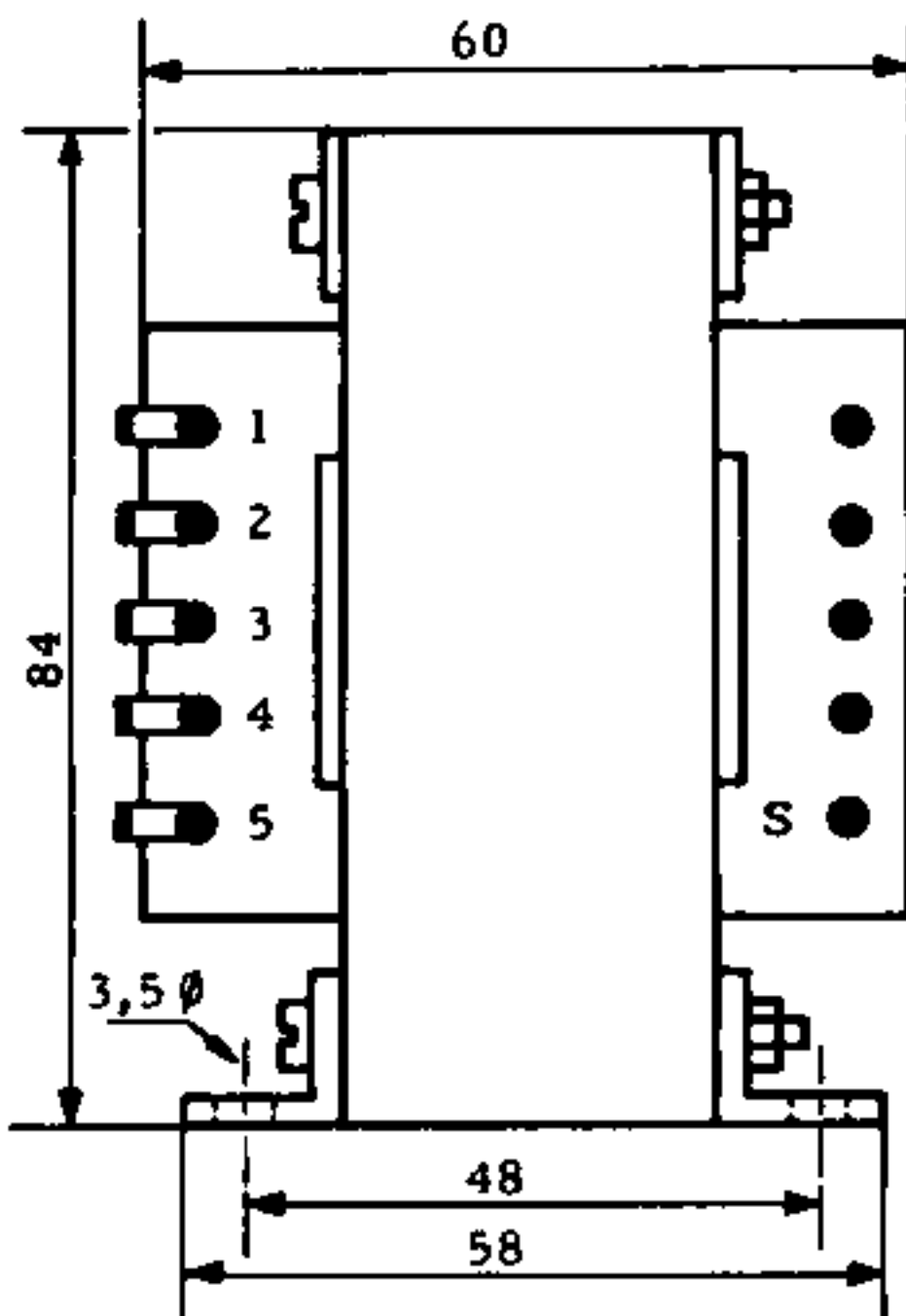
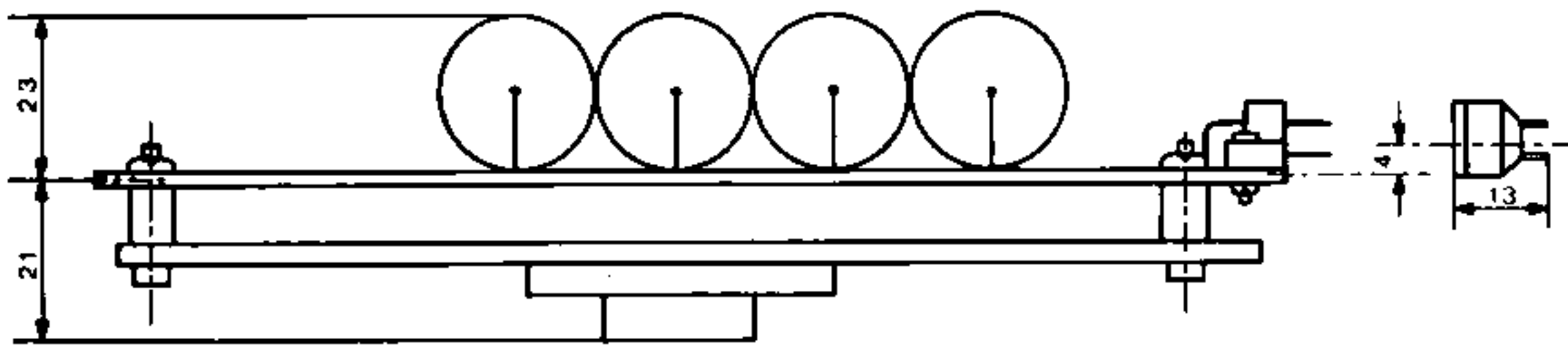
Output voltage V DC	Input voltage V AC (loaded)	Transformer T 301 Terminals
6 - 13	17.5	2 - 3
13 - 17	21.0	2 - 4
17 - 20	23.5	2 - 5
20 - 25	28.0	1 - 3
25 - 28	31.5	1 - 4
28 - 30	34.0	1 - 5



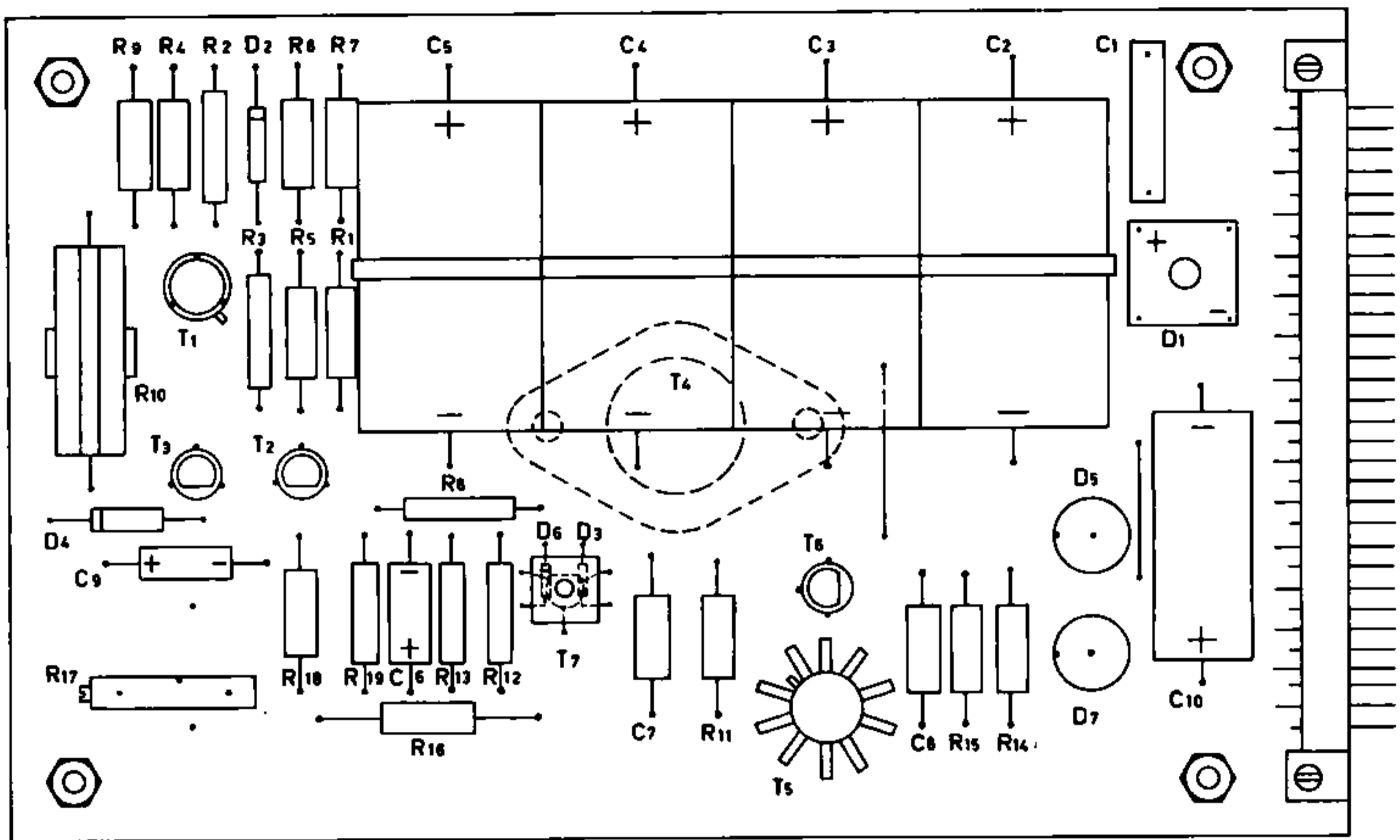
External voltage adjustment about 200 Ohm/Volt



Connector DIN 41617
Siemens C42334-A56-A1



Transformer T 301



R (Ohm)

1 = 15 k	1/2W 5 %
2 = 100 k	1/2W 5 %
3 = 10	1/2W 5 %
4 = 820	1/2W 2 % MF
5 = 47 k	1/2W 5 %
6 = 5,6 k	1/2W 2 % MF
7 = Cal. R	1/2W 5 %
8 = 6,8 k	1/2W 2 % MF
9 = 27 k	1/2W 5 %
10 = 1,8	7W 5 % WW
11 = 3,3 k	1/2W 5 %
12 = 330	1/2W 2 % MF
13 = 1,2 k	1/2W 2 % MF
14 = 47	1/2W 5 %
15 = 10 k	1/2W 5 %
16 = 470	1/2W 5 %
17 = 5 k	variable
18 = 560	1/2W 2 % MF
19 = 560	1/2W 2 % MF

C (microfarad)

1 = 0.1	250 V
2 = 500	70 V
3 = 500	70 V
4 = 500	70 V
5 = —	
6 = 10	35 V
7 = 0.00022	²⁵⁰ 70 V
8 = 0.01	²⁵⁰ 70 V
9 = 2	⁷⁰ 250 V
10 = 100	⁷⁰ 250 V
T	
1 = 2N4037	RCA
2 = BC 182	TI
3 = BC 212	TI
4 = 2N3055	RCA
5 = 2N4037	RCA
6 = BC 182	TI
7 = BC 182	TI

D

1 = W613	VARO
2 = ZP6,8	ITT
3 = ZP6,2	ITT
4 = OA202	Philips
5 = MR1031 B	Motorola
6 = —	
7 = MR1031 B	Motorola

MF = Metallfilm resistor
 WW = Wire wound resistor
 C5 and D 6 not on C 30-1

