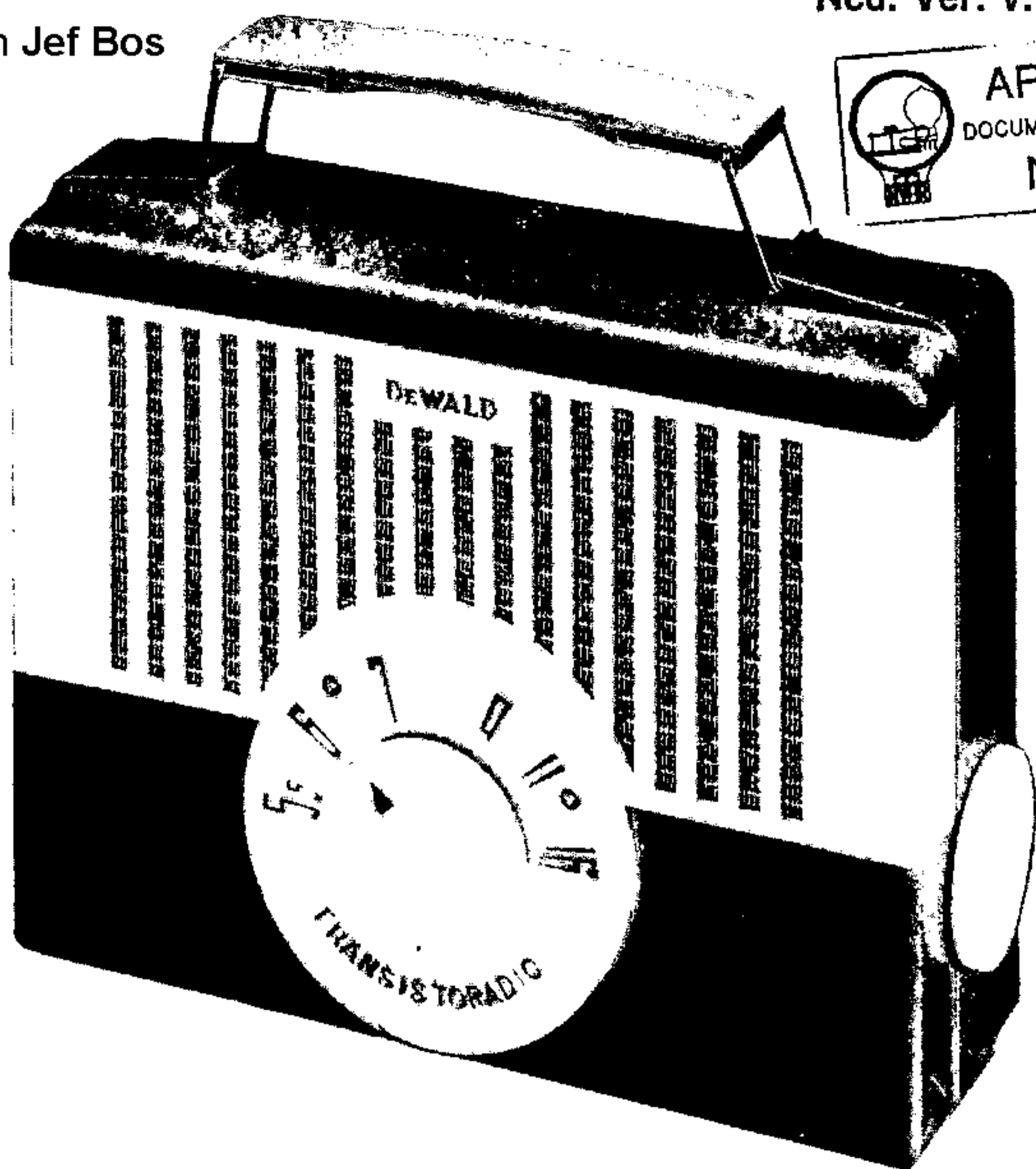
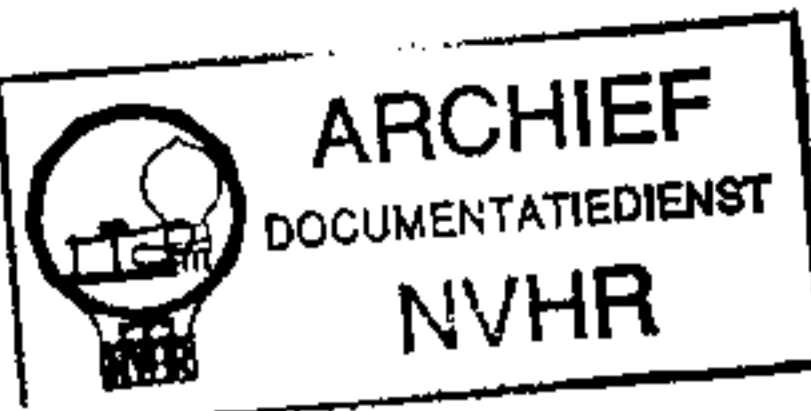






Met dank aan Jef Bos



**TRADE NAME** Dewald Model K-701A  
**MANUFACTURER** Dewald Radio Mfg. Co., 35-15 37th Ave., Long Island City 1, N. Y.  
**TYPE SET** Battery Operated Portable Transistor AM Superheterodyne Receiver

**POWER SUPPLY** 9 Volt "A" Battery  
**TUNING RANGE—BROADCAST** 540KC-1650KC

**RATING** 7MA @ 9 Volts DC

**ALIGNMENT INSTRUCTIONS—READ CAREFULLY BEFORE ATTEMPTING ALIGNMENT**

Volume control should be at maximum position. Output of signal generator should be no higher than necessary to obtain an output reading. Use an insulated alignment screwdriver for adjusting.  
 To set pointer, turn tuning capacitor fully closed and set pointer parallel with base of dial.

| DUMMY ANTENNA | SIGNAL GENERATOR COUPLING                                     | SIGNAL GENERATOR FREQUENCY | RADIO DIAL SETTING     | OUTPUT METER      | ADJUST     | REMARKS  |
|---------------|---|----------------------------|------------------------|-------------------|------------|--|
| 1. .005MFD    | High side to antenna lug on tuning gang. Low side to chassis. | 455KC (400% Mod.)          | Tuning gang fully open | Across Voice Coil | A1, A2, A3 | Adjust for maximum output.   |
| 2.            | Loop  | 1650KC                     | "                      | "                 | A4         | Fashion loop of several turns of wire and radiate signal into loop of receiver. Adjust for maximum output. |
| 3.            | "   | 1400KC                     | Tune to 1400KC signal  | "                 | A5         | "  |
| 4.            | "   | 600KC                      | Tune to 600KC signal   | "                 | A6         | Adjust for maximum output while rocking tuning gang.   |

**HOWARD W. SAMS & CO., INC. • Indianapolis 5, Indiana**

"The listing of any available replacement part herein does not constitute in any case a recommendation, warranty or guaranty by Howard W. Sams & Co., Inc., as to the quality and suitability of such replacement part. The numbers of these parts have been compiled from information furnished to Howard W. Sams & Co., Inc., by the manufacturers of the particular type of replacement part listed."

"Reproduction or use, without express permission, of editorial or pictorial content, in any manner, is prohibited. No patent liability is assumed with respect to the use of the information contained herein. Copyright 1956 by Howard W. Sams & Co., Inc., Indianapolis 5, Indiana, U. S. of America. Copyright under International Copyright Union. All rights reserved under Inter-American Copyright Union (1910) by Howard W. Sams & Co., Inc." Printed in U. S. of America

# PARTS LIST AND DESCRIPTIONS

## TRANSISTORS

| ITEM No. | USE              | TYPE  | NOTES  | ITEM No. | USE          | TYPE | NOTES |
|----------|------------------|-------|--------|----------|--------------|------|-------|
| X1       | Converter        | 830   |        | X4       | AF Amplifier | 310  |       |
| X2       | 1st IF Amplifier | 2N145 | Note 1 | X5       | Output       | 353  |       |
| X3       | 2nd IF Amplifier | 2N147 | Note 2 | X6       | Output       | 353  |       |

Note 1. Type 2N146 or 2N147 may be used in this application.  
 Note 2. Type 2N145 or 2N146 may be used in this application.

## ELECTROLYTIC CAPACITORS

| ITEM No. | RATING |       | REPLACEMENT DATA |                  |                           |                  |                  |                  |                  |
|----------|--------|-------|------------------|------------------|---------------------------|------------------|------------------|------------------|------------------|
|          | CAP.   | VOLT. | DEWALD PART No.  | AEROVOX PART No. | CORNELL-DUBILIER PART No. | MALLORY PART No. | PYRAMID PART No. | SANGAMO PART No. | SPRAGUE PART No. |
| C1       | 100    | 15    | E-216-2          | SRE15V100        | BBR100-15                 |                  | TD-100-15        |                  | TVA-1160         |
| C2       | 10     | 5     | E-215-5          | SRE25V10         | BBR10-25                  |                  | TD-10-25         | MMT-0210         | TE-1087          |
| C3       | 10     | 5     | E-215-3          | SRE25V10         | BBR10-25                  |                  | TD-10-25         | MMT-0210         | TE-1087          |
| C4       | 50     | 3     | E-215-4          | SRE3V50          | BBR50-3                   |                  | TD-50-6          | MMT-350          | TVA-1100         |

## FIXED CAPACITORS

Capacity values given in the rating column are in mfd. for Paper Capacitors, and in mmfd. for Mica and Ceramic Capacitors.

| ITEM No. | RATING |      | REPLACEMENT DATA |                  |                    |                           |               |                  |                  | NOTES  |
|----------|--------|------|------------------|------------------|--------------------|---------------------------|---------------|------------------|------------------|--------|
|          | CAP.   | VOLT | DEWALD PART No.  | AEROVOX PART No. | CENTRALAB PART No. | CORNELL-DUBILIER PART No. | ERIE PART No. | MALLORY PART No. | SPRAGUE PART No. |        |
| C5       | 10000  |      |                  | BPD-01           | DD-103             | K082                      | 811-01        | DC511            | 5HK-S1           | Note 1 |
| C6       | 10000  |      |                  | BPD-01           | DD-103             | K082                      | 811-01        | DC511            | 5HK-S1           |        |
| C7       | 10000  |      |                  | BPD-01           | DD-103             | K082                      | 811-01        | DC511            | 5HK-S1           |        |
| C8       | 10000  |      |                  | BPD-01           | DD-103             | K082                      | 811-01        | DC511            | 5HK-S1           |        |
| C9       | 10000  |      |                  | BPD-01           | DD-103             | K082                      | 811-01        | DC511            | 5HK-S1           |        |
| C10      | 10000  |      |                  | BPD-01           | DD-103             | K082                      | 811-01        | DC511            | 5HK-S1           |        |
| C11      | .8     |      |                  | BPD-01           | DD-103             | K082                      | 811-01        | DC511            | 5HK-S1           |        |
| C12      | 10000  |      |                  | BPD-01           | DD-103             | K082                      | 811-01        | DC511            | 5HK-S1           |        |
| C13      | 10000  |      |                  | BPD-01           | DD-103             | K082                      | 811-01        | DC511            | 5HK-S1           |        |
| C14      | 5000   |      |                  | BPD-005          | DD-502             | K080                      | 811-005       | DC525            | 5HK-D5           |        |
| C15      | .05    | 200  |                  | BPD-05           | DF-503             | CUB2S5                    |               | PT415            | 2TM-S5           |        |

Note 1. Not used in some versions.

## CONTROLS

| ITEM No. | RATING     |       | REPLACEMENT DATA |                    |                    |              |                  | INSTALLATION NOTES                                  |
|----------|------------|-------|------------------|--------------------|--------------------|--------------|------------------|---|
|          | RESISTANCE | WATTS | DEWALD PART No.  | CENTRALAB PART No. | CLAROSTAT PART No. | IRC PART No. | MALLORY PART No. |   |
| RIA      | 5000Ω      | 1/2   | V310-2           | AB-11              |                    | Q13-114      | U12              | Volume (Note 1)<br>Attach to RIA.<br>Attach to RIA. |
| B        | Shaft      |       | Not Req.         | AK-4               |                    | Not Req.     | Not Req.         |   |
| C        | Switch     |       | Not Req.         | KB-1               |                    | 78-1         | US-26            |   |

Note 1. Some versions will use an alternate control Part No. V310-1 in this application.

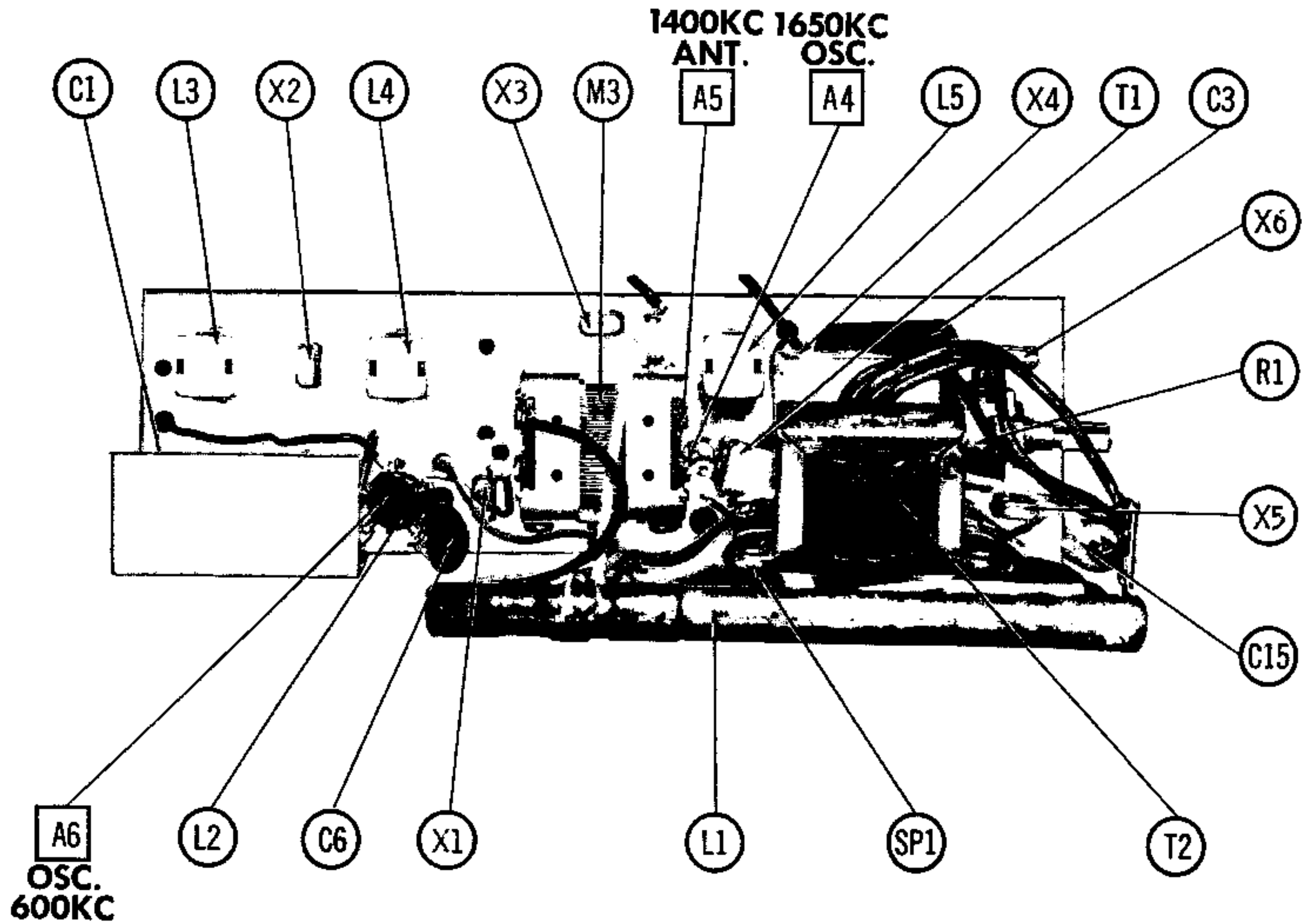
## RESISTORS

All wattages 1/2 watt, or less, unless otherwise listed.

| ITEM No. | RATING |      | REPLACEMENT DATA |              | NOTES | ITEM No. | RATING |      | REPLACEMENT DATA |              | NOTES  |
|----------|--------|------|------------------|--------------|-------|----------|--------|------|------------------|--------------|--------|
|          | OHMS   | WATT | DEWALD PART No.  | IRC PART No. |       |          | OHMS   | WATT | DEWALD PART No.  | IRC PART No. |        |
| R2       | 100K   |      |                  | BTS-100K     |       | R11      | 100K   |      |                  | BTS-100K     | Note 1 |
| R3       | 470Ω   |      |                  | BTS-470      |       | R12      | 2200Ω  |      |                  | BTS-2200     |        |
| R4       | 2200Ω  |      |                  | BTS-2200     |       | R13      | 6800Ω  |      |                  | BTS-6800     |        |
| R5       | 4700Ω  |      |                  | BTS-4700     |       | R14      | 93K    |      |                  | BTS-93K      |        |
| R6       | 330Ω   |      |                  | BTS-330      |       | R15      | 100Ω   |      |                  | BTS-100      |        |
| R7       | 47K    |      |                  | BTS-47K      |       | R16      | 1000Ω  |      |                  | BTS-1000     |        |
| R8       | 6800Ω  |      |                  | BTS-6800     |       | R17      | 82Ω    |      |                  | BTS-82       |        |
| R9       | 220Ω   |      |                  | BTS-220      |       | R18      | 4700Ω  |      |                  | BTS-4700     |        |
| R10      | 470Ω   |      |                  | BTS-470      |       | R19      | 10Ω    |      |                  | BTS-10       |        |

Note 1. Some versions use 88Ω in this application.

**CHASSIS—TOP VIEW**



# PARTS LIST AND DESCRIPTIONS (Continued)

## TRANSFORMER (AUDIO DRIVER)

| ITEM No. | Resistance         |        | REPLACEMENT DATA |                    |                |                  |                     | NOTES |                |
|----------|--------------------|--------|------------------|--------------------|----------------|------------------|---------------------|-------|----------------|
|          |                    |        | DEWALD PART No.  | Haldorson PART No. | Merit PART No. | Stancor PART No. | Thordarson PART No. |       | Triad PART No. |
|          | PRI.               | SEC.   |                  |                    |                |                  |                     |       |                |
| T1       | 310Ω               | 168ΩCT | T129             |                    |                |                  |                     |       |                |
|          | Turns Ratio<br>2:1 |        |                  |                    |                |                  |                     |       |                |

## TRANSFORMER (AUDIO OUTPUT)

| ITEM No. | IMPEDANCE |      | REPLACEMENT DATA |                    |                |                  |                     | NOTES |                |
|----------|-----------|------|------------------|--------------------|----------------|------------------|---------------------|-------|----------------|
|          |           |      | DEWALD PART No.  | Haldorson PART No. | Merit PART No. | Stancor PART No. | Thordarson PART No. |       | Triad PART No. |
|          | PRI.      | SEC. |                  |                    |                |                  |                     |       |                |
| T2       | 825Ω      | 3-4Ω | 38083-1          |                    |                |                  |                     |       |                |

## SPEAKER

| ITEM No. | RATINGS |       |            | REPLACEMENT DATA |               |              | NOTES |
|----------|---------|-------|------------|------------------|---------------|--------------|-------|
|          |         |       |            | DEWALD PART No.  | QUAM PART No. | RCA TYPE No. |       |
|          | SIZE    | FIELD | V. C. IMP. |                  |               |              |       |
| SP1      | 4"      | PM    | 3-4Ω       | S-710-2          | 4A07          | 223SL        |       |

## COILS (RF-IF)

| ITEM No. | USE           | DC RES. |       | REPLACEMENT DATA |                   |                |                 | NOTES   |
|----------|---------------|---------|-------|------------------|-------------------|----------------|-----------------|---|
|          |               |         |       | DEWALD PART No.  | MEISSNER PART No. | MERIT PART No. | MILLER PART No. |   |
|          |               | PRI.    | SEC.  |                  |                   |                |                 |   |
| L1       | Loop Stick    | 1Ω      | .1Ω   | L-130C           | 14-9013           |                |                 | * Tapped @ .2Ω<br>■ Tapped @ 6.2Ω<br>▲ Tapped @ 6.2Ω<br>† Tapped @ 6.5Ω |
| L2       | Osc. Coll     | 1.6Ω    | 3.5Ω* | 0-1338-3         | 14-9014           |                |                 |   |
| L3       | 1st IF Trans. | 8.5Ω■   | .4Ω   | 1-131-1          | 16-9012           |                |                 |   |
| L4       | 2nd IF Trans. | 10Ω▲    | .4Ω   | 1-131-1          | 16-9013           |                |                 |   |
| L5       | 3rd IF Trans. | 8.5Ω†   | .7Ω   | 1-131-2          | 16-9014           |                |                 |   |

## BATTERIES

| ITEM No. | VOLTAGE | DEWALD PART No. | REPLACEMENT DATA |     |       |         |     |       | INSTALLATION NOTES |
|----------|---------|-----------------|------------------|-----|-------|---------|-----|-------|--------------------|
|          |         |                 | EVEREADY         |     |       | BURGESS |     |       |                    |
|          |         |                 | "A"              | "B" | "A-B" | "A"     | "B" | "A-B" |                    |
| M1       | 9V "A"  |                 | #276             |     |       |         |     |       |                    |

## CRYSTAL DIODES

| ITEM No. | ORIG. TYPE | REPLACEMENT DATA |                   | NOTES                |
|----------|------------|------------------|-------------------|----------------------|
|          |            | DEWALD PART No.  | SYLVANIA PART No. |                      |
| M2       | 1N64*      | 1N295 or 1N64    | 1N60              | Audio Det. (Pigtall) |

\* Some versions may use crystal diode type 1N295 in this application.

## MISCELLANEOUS

| ITEM No. | PART NAME                           | DEWALD PART No.                     | NOTES  |
|----------|-------------------------------------|-------------------------------------|--|
| M3       | Tuning Cap.<br>Cabinet Knob<br>Knob | V-214-1<br>4196C-4<br>4197<br>4228D | 2 Gang (16-220MMF, 22-120MMF)<br><br>On-Off-Volume<br>Tuning |

**CHASSIS—BOTTOM VIEW**

