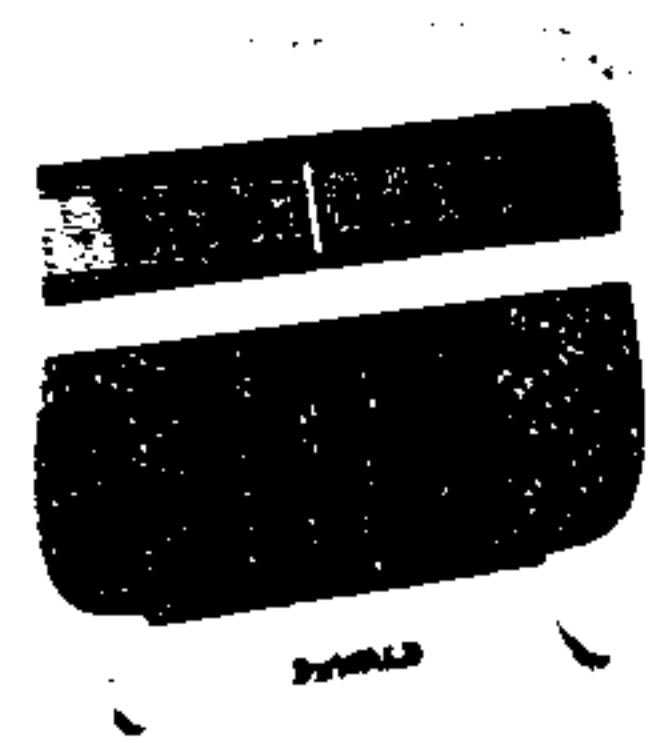


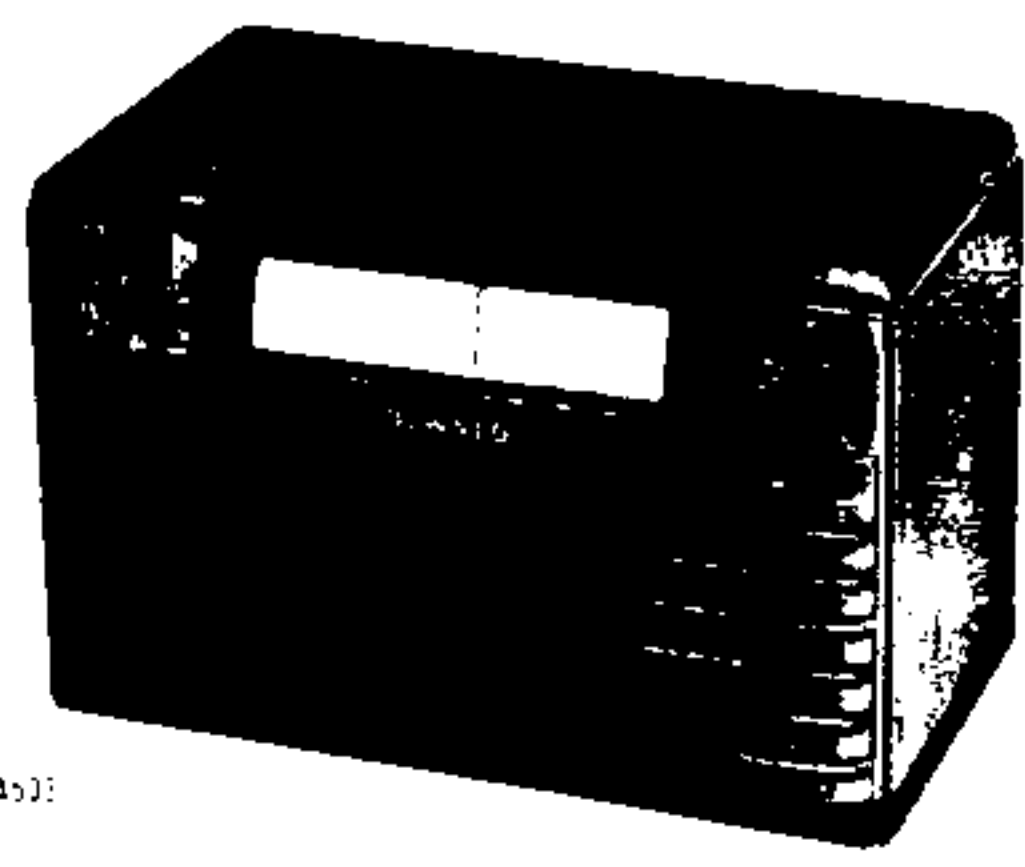
A500



A501



A502



A503

**DEWALD MODEL A500**

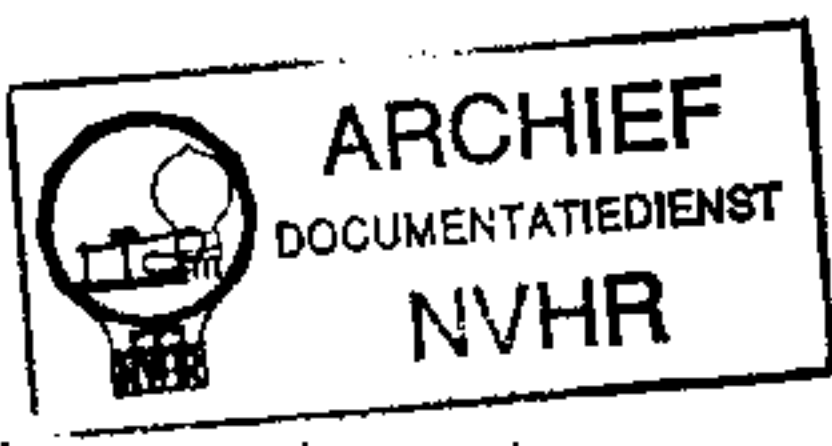
<b>TRADE NAME</b>	Dewald Model A500, A501, A502, A503		
<b>MANUFACTURER</b>	Dewald Radio Mfg. Corp., 440 Lafayette St., New York 3, N.Y.		
<b>TYPE SET</b>	AC - DC Superheterodyne - Self Contained Loop Antenna		
<b>TUBES (FIVE)</b>	Types 12SA7 Converter, 12SK7 IF Amp., 12SQ7GT Det.-AVC-AF, 50L6GT Power Output, 35Z5GT Rectifier		
<b>POWER SUPPLY</b>	105-125 Volts AC-DC	<b>RATING</b>	.230 amps. @ 117V AC
<b>TUNING RANGE-BROADCAST</b>	525-1720KC	<b>SHORT WAVE</b>	

**ALIGNMENT INSTRUCTIONS**

Use isolating transformer if available. Volume control at maximum and output from signal generator no higher than necessary to obtain output reading. Use insulated alignment screwdriver for adjusting.

DUMMY ANTENNA	SIGNAL GENERATOR COUPLING	SIGNAL GENERATOR FREQUENCY	RADIO DIAL SETTING	OUTPUT METER	ADJUST	REMARKS
Direct	High to ant. lead. Low side in series with .1 MFD to chassis.	455KC	High freq. end of dial (Gang open)	Across voice coil	A1,A2, A3,A4.	Adjust for maximum output.
"	"	1720KC	"	"	A5	" " " "
"	"	1500KC	1500KC	"	A6	" " " "

Ned. Ver. v. Historie v/d Radio



**DEWALD  
MODELS A500, A501, A502, A503**

**HOWARD W. SAMS & CO., INC. • 2924 East Washington Street • Indianapolis 6, Indiana**

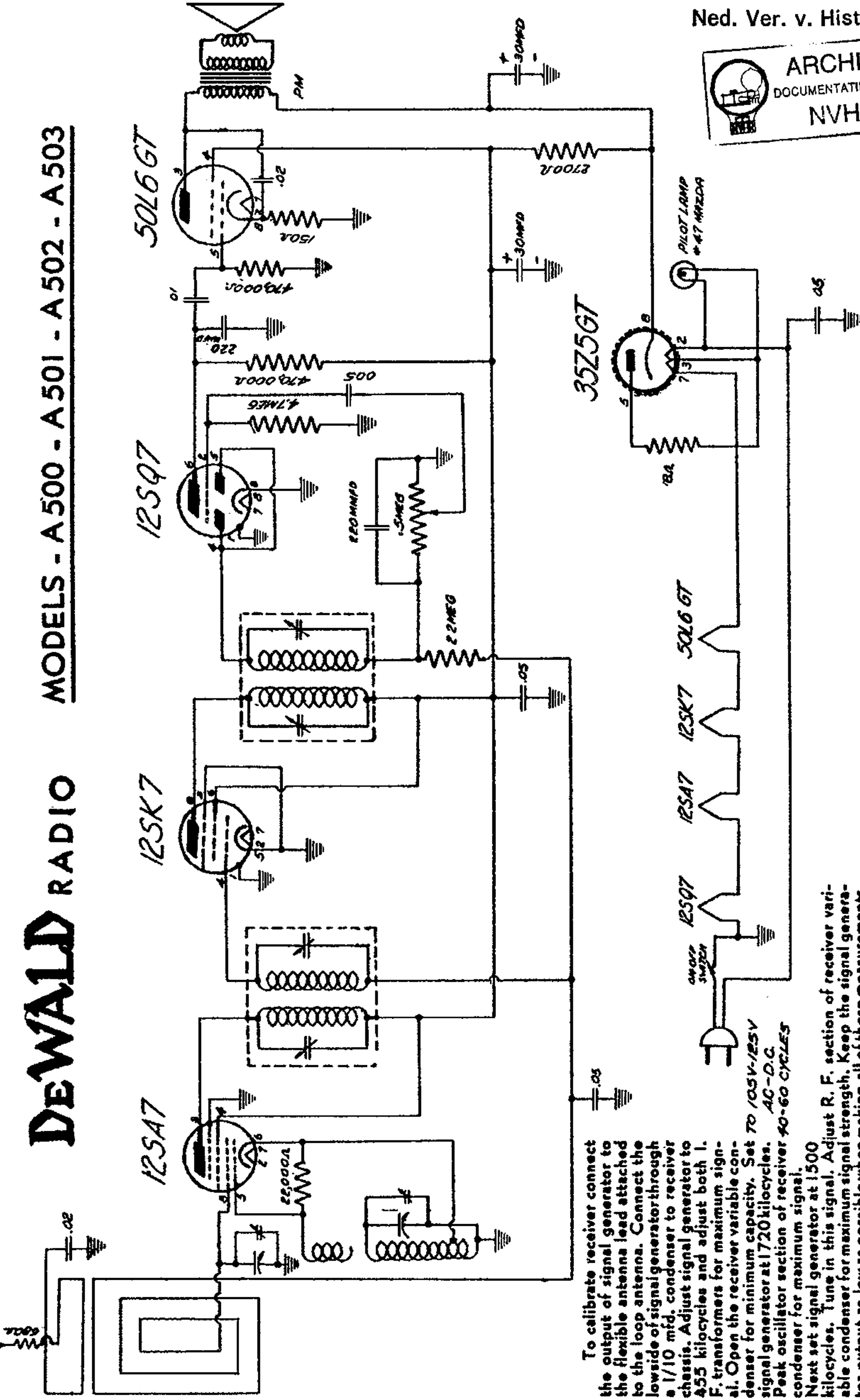
"The listing of any available replacement part herein does not constitute in any case a recommendation, warranty or guaranty by Howard W. Sams & Co., Inc., as to the quality and suitability of such replacement part. The numbers of these parts have been compiled from information furnished to Howard W. Sams & Co., Inc., by the manufacturers of the particular type of replacement part listed."  
"Reproduction or use, without express permission, of editorial or pictorial con-

tent, in any manner, is prohibited. No patent liability is assumed with respect to the use of the information contained herein. Copyright 1946 by Howard W. Sams & Co., Inc., Indianapolis, Indiana, U. S. A. Copyright under International Copyright Union. All rights reserved under Inter-American Copyright Union (1910) by Howard W. Sams & Co., Inc."

# MANUAL OF 1949 MOST-OFTEN-NEEDED RADIO DIAGRAMS

## DEWALD RADIO

MODELS - A500 - A501 - A502 - A503



To calibrate receiver connect the output of signal generator to the flexible antenna lead attached to the loop antenna. Connect the low side of signal generator through a 1/10 mfd. condenser to receiver chassis. Adjust signal generator to 455 kilocycles and adjust both I. F. transformers for maximum signal. Open the receiver variable condenser for minimum capacity. Set to 105V-125V AC-D.C. signal generator at 1720 kilocycles. Peak oscillator section of receiver 40-60 cycles condenser for maximum signal. Next set signal generator at 1500 kilocycles. Tune in this signal. Adjust R. F. section of receiver variable condenser for maximum signal strength. Keep the signal generator output as low as possible when making all of these measurements.

### ANTENNA:

The receiver operates satisfactorily without an antenna. If additional pick-up is desired, an antenna may be connected to the lead, extending from the rear of the chassis.

### VOLUME CONTROL:

The left knob of the receiver is used as the power switch and volume control. Rotation of this knob in a clockwise direction turns the receiver "on". Further rotation in this direction increases the volume.

### STATION SELECTOR:

The right hand knob operates the tuning in of stations and pointer. Ease and accuracy in tuning is provided because of a reduction drive.

Ned. Ver. v. Historie v/d Radio

