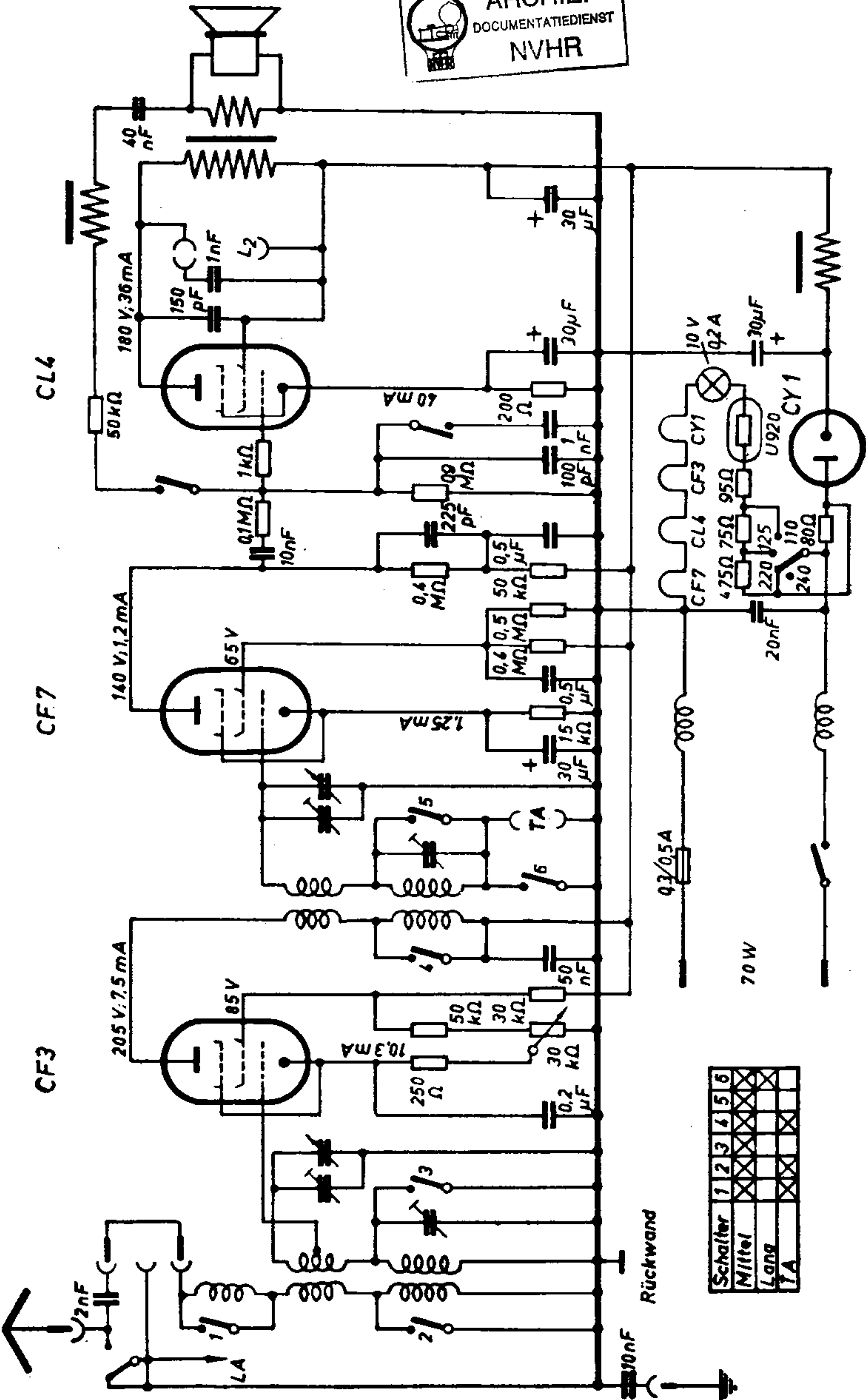
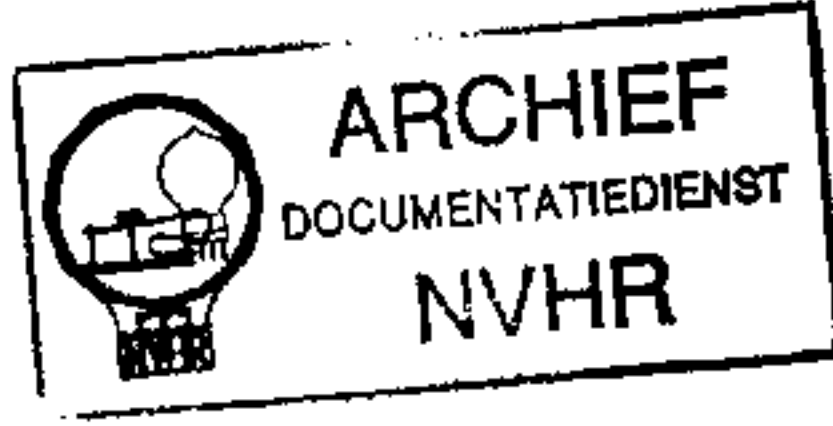


DTW 824 GW

Ned. Ver. v. Historie v/d Radio



Schalter	1	2	3	4	5	6
Mittel	X	X	X	X	X	X
Lang	X	X	X	X	X	X
TA	X	X	X	X	X	X