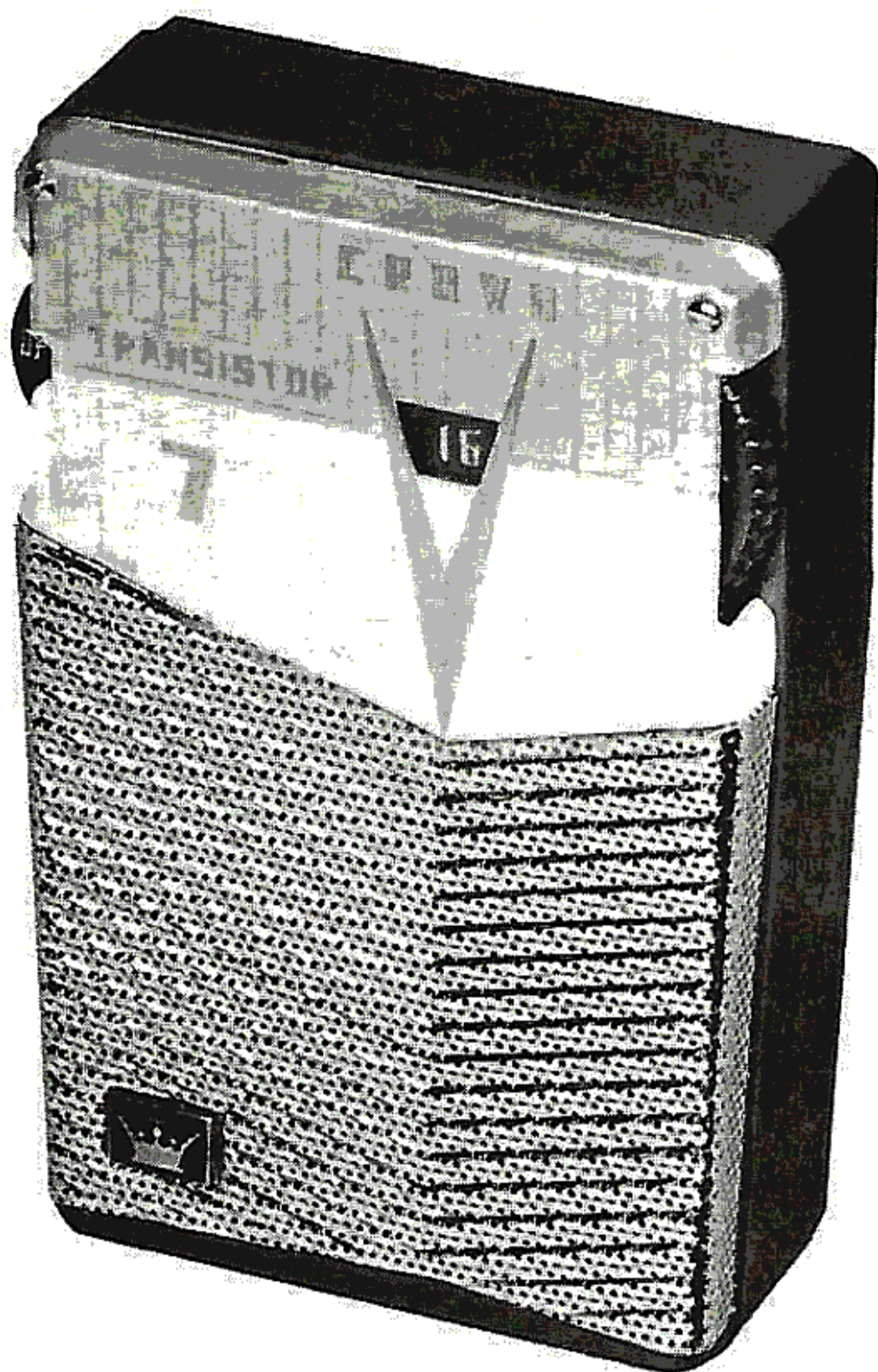


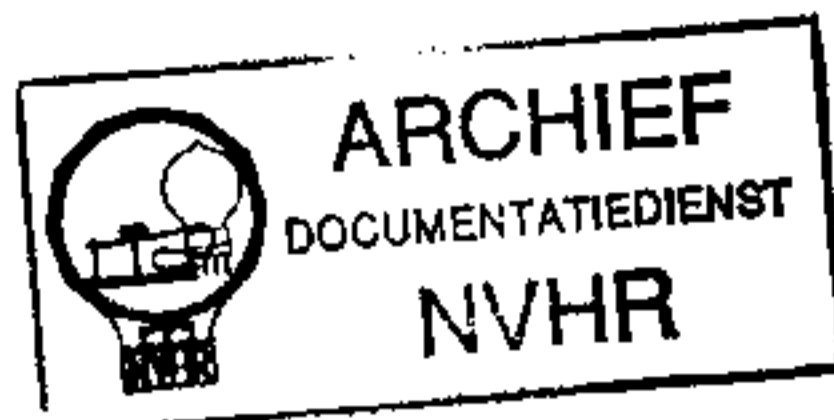
PHOTOFACT® Folder

with CIRCUITRACE™

CROWN
MODEL TR-777



Ned. Ver. v. Historie v/d Radio



Met dank aan Jef Bos

TRADE NAME	Crown Model TR-777		
IMPORTER	Shiro, Inc., 276 Fourth Ave., New York 10, N. Y.		
TYPE SET	Battery Operated Transistorized Portable AM Receiver		
POWER SUPPLY	4.5 Volts DC	RATING	7 MA @ 4.5 Volts DC (No Signal, Min. Volume)
TUNING RANGE - BROADCAST	540 - 1600KC		15 MA @ 4.5 Volts DC (Signal, Normal Volume)

ALIGNMENT INSTRUCTIONS

ALIGNMENT INSTRUCTIONS—READ CAREFULLY BEFORE ATTEMPTING ALIGNMENT

Volume control should be at maximum position. Output of signal generator should be no higher than necessary to obtain an output reading.

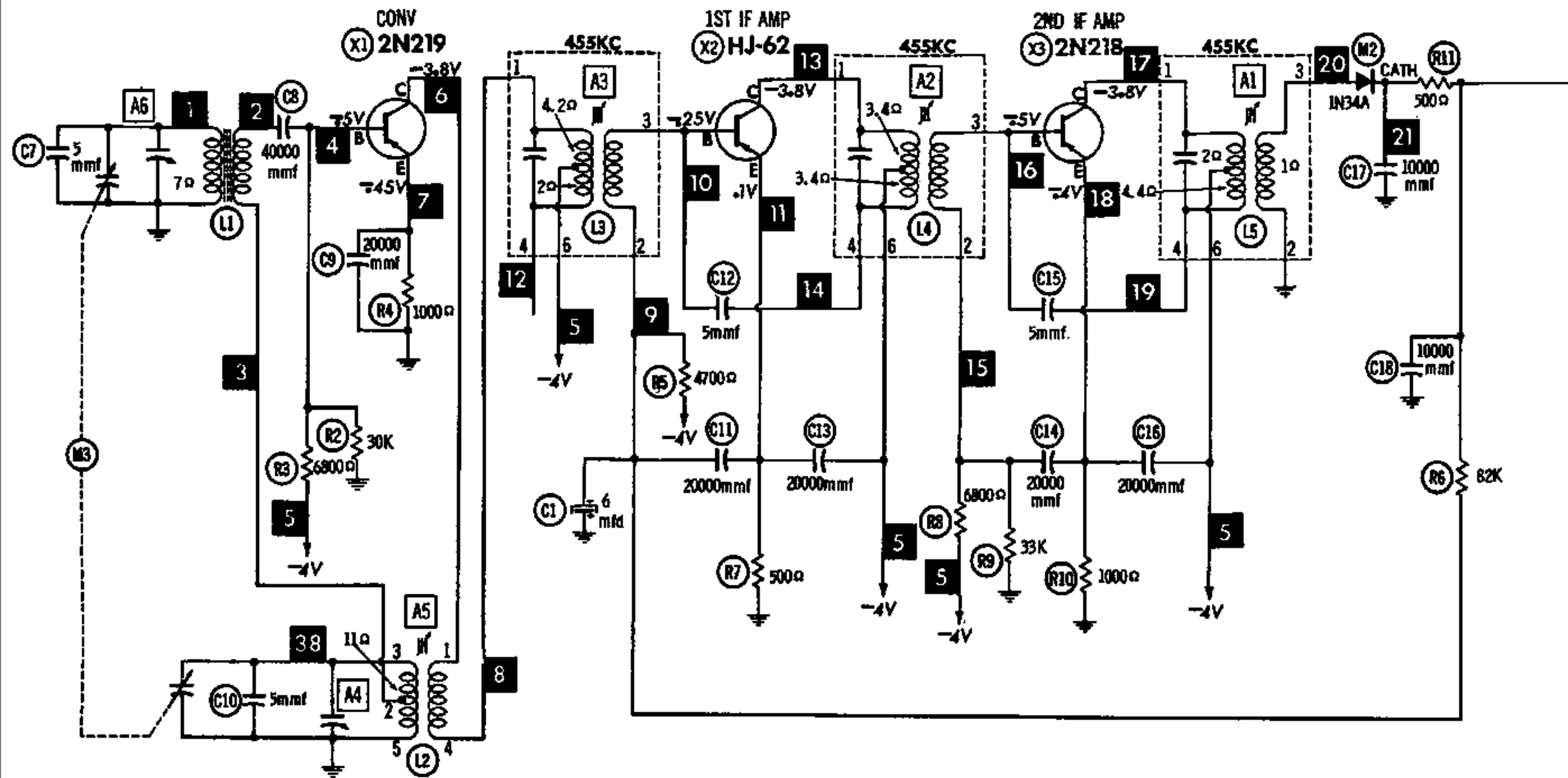
Suggested Alignment Tools: A1, A2, A3, A5... GENERAL CEMENT #8607, 9291, 9294
 WALSCO #2520, 2522, 2523, 2524, 2534, 2537
 A4, A6..... GENERAL CEMENT #5000, 5003, 5066, 8271, 8272, 8276, 8277, 8290, 8609,
 8722, 9150, 9298
 WALSCO #2515, 2516, 2518, 2519, 2525, 2541

	SIGNAL GENERATOR COUPLING	SIGNAL GENERATOR FREQUENCY	RADIO DIAL SETTING	OUTPUT METER	ADJUST	REMARKS
1.	Loop	455KC (400v Mod.)	Tuning gang fully open.	Across voice coll.	A1, A2, A3	Fashion loop of several turns of wire and radiate signal into loop of receiver. Adjust for maximum output.
2.	"	1600KC	1600KC	"	A4	"
3.	"	600KC	600KC	"	A5	"
4.	"	1400KC	1400KC Signal.	"	A6	Adjust for maximum output. Repeat Steps 2, 3 and 4.

HOWARD W. SAMS & CO., INC. Indianapolis 6, Indiana

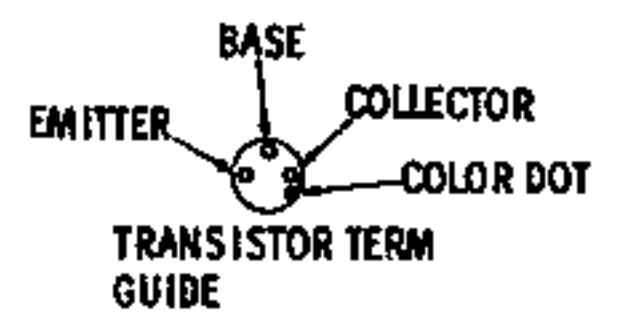
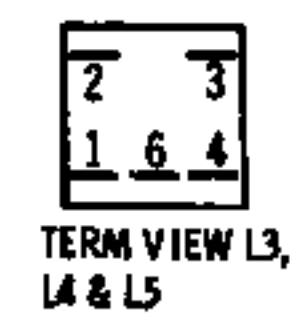
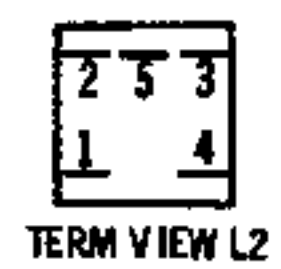
The listing of any available replacement part herein does not constitute in any case a recommendation, warranty or guaranty by Howard W. Sams & Co., Inc., as to the quality and suitability of such replacement part. The numbers of these parts have been compiled from information furnished to Howard W. Sams & Co., Inc., by the manufacturers of

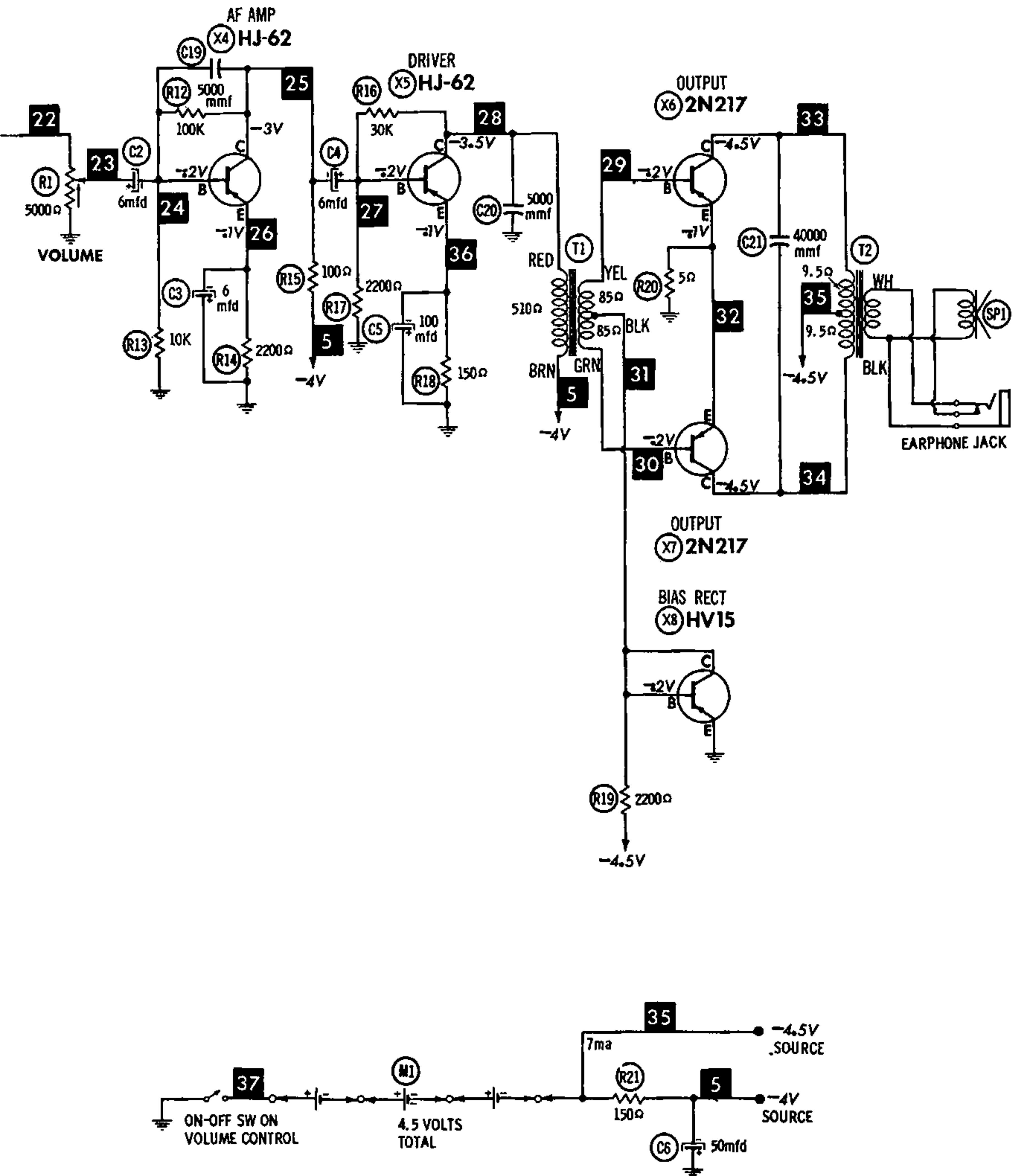
the particular type of replacement part listed. Reproduction or use, without express permission, of editorial or pictorial content, in any manner, is prohibited. No patent liability is assumed with respect to the use of the information contained herein. © 1960 Howard W. Sams & Co., Inc., Indianapolis 6, Indiana. Printed in U.S. of America



A PHOTOFAC STANDARD NOTATION SCHEMATIC
with **CIRCUITRACE**

©Howard W. Sams & Co., Inc. 1960





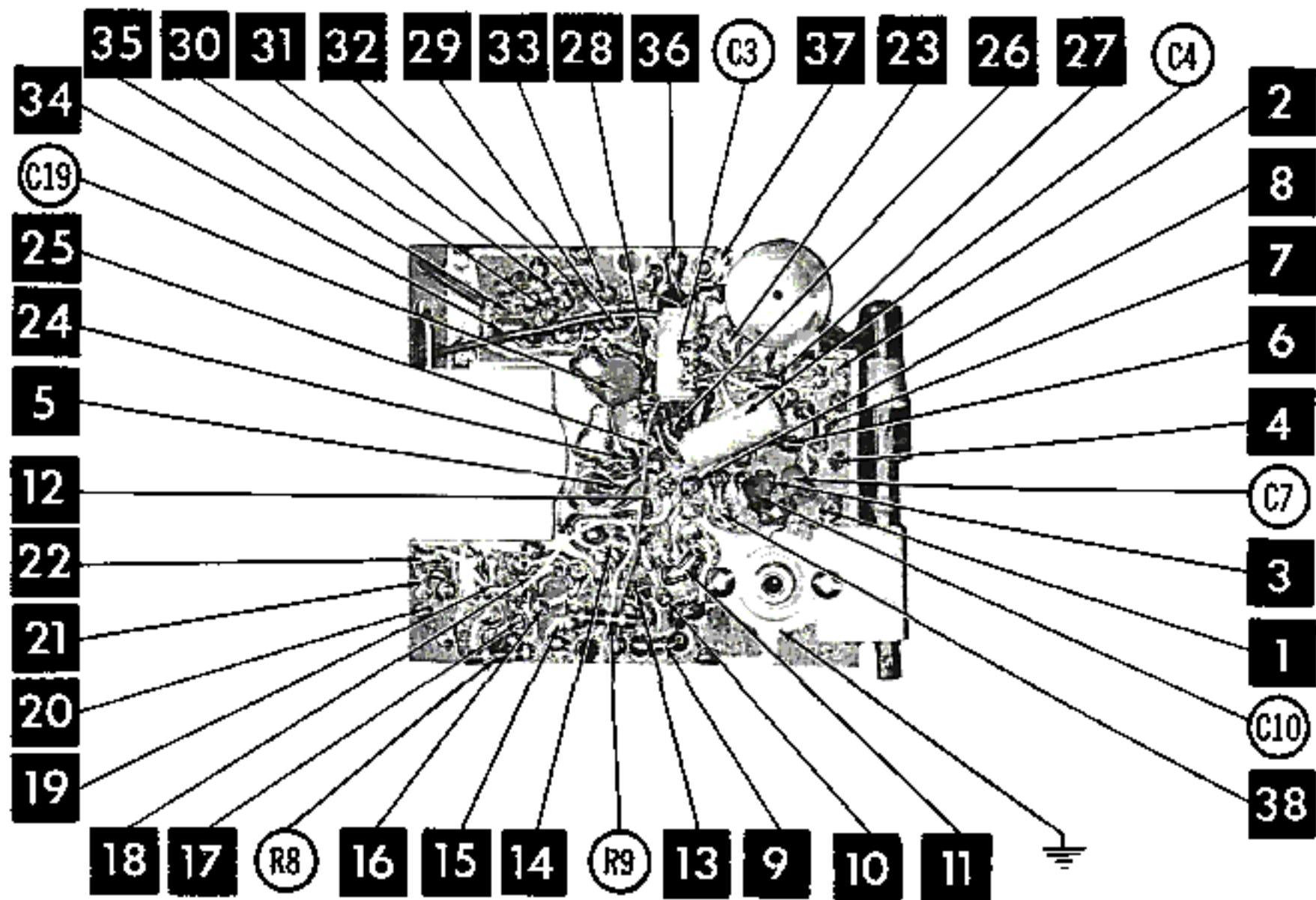
RESISTANCE MEASUREMENTS NOT GIVEN BECAUSE OF THE WIDE VARIATION IN INTERNAL TRANSISTOR RESISTANCE.

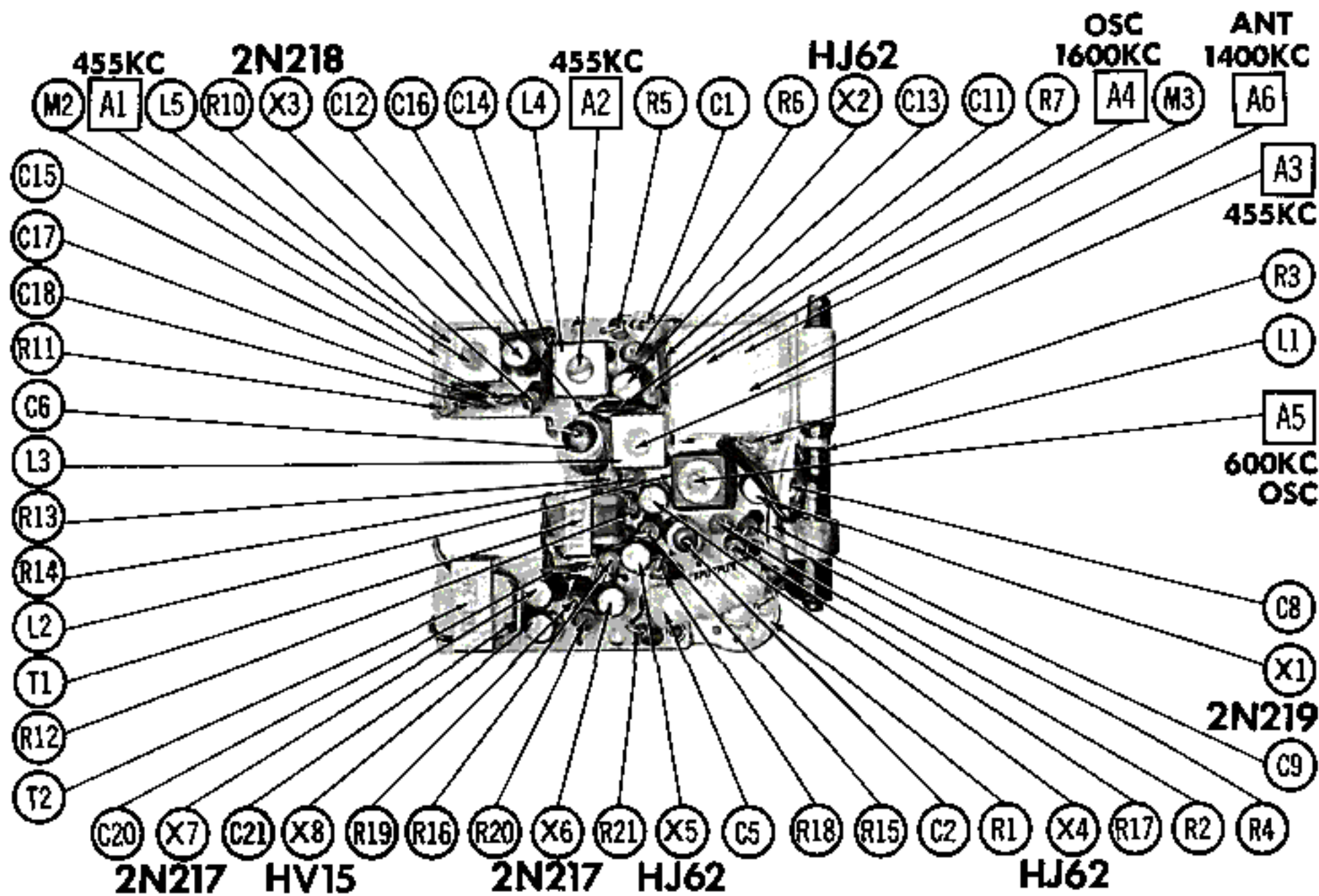
1. DC voltage measurements taken with vacuum tube voltmeter.
2. Socket connections or transistor terminals are shown as bottom views.
3. Measured values are from socket pin or terminal to common ground.
4. Nominal tolerance on component values makes possible a variation of $\pm 15\%$ in voltage and resistance readings.
5. Volume control at maximum, no signal applied for voltage measurements.

NUMBERS ASSIGNED TO COILS, SWITCHES, PLUGS, SOCKETS, AND TRANSFORMERS ARE TO FACILITATE CIRCUIT TRACING OR COMPONENT REPLACEMENT AND MAY NOT NECESSARILY BE FOUND ON THE UNIT.

DC COIL RESISTANCE VALUES UNDER ONE OHM NOT SHOWN ON SCHEMATIC DIAGRAM

ARROWS ON CONTROLS INDICATE CLOCKWISE ROTATION (CONTROL VIEWED FROM SHAFT END)





CHASSIS TOP VIEW

TRANSISTORS

ITEM No.	ORIG. TYPE	USE	REPLACEMENT DATA			NOTES
			RCA PART No.	RAYTHEON PART No.	SYLVANIA PART No.	
X1	2N219	Converter	2N219	2N485	2N219	PNP
X2	HJ-62	1st IF Amplifier				PNP
X3	2N218	2nd IF Amplifier	2N218	2N482	2N218	PNP
X4	HJ-62	AF Amplifier	2N406			PNP
X5	HJ-62	Driver	2N406			PNP
X6	2N217	Output	2N407	2N633	2N217	PNP
X7	2N217	Output	2N407	2N633	2N217	PNP
X8	HV15	Bias Rectifier	1N2326			PNP

ELECTROLYTIC CAPACITORS

ITEM No.	RATING		REPLACEMENT DATA					NOTES
	CAP.	VOLT.	CROWN PART No.	AEROVOX PART No.	CORNELL-DUBILIER PART No.	MALLORY PART No.	PYRAMID PART No.	
C1	6	6		XPP-6006	NLW6-25	TT10X6	ML6-6	TE-1085
C2	6	6		XPP-6006	NLW6-25	TT10X6	ML6-6	TE-1085
C3	6	6		XPP-6006	NLW6-25	TT10X6	ML6-6	TE-1085
C4	6	6		XPP-6006	NLW6-25	TT10X6	ML6-6	TE-1085
C5	100	6		PTT-6100	NLW100-6	TT6X100	ML100-6	TE-1102
C6	50	6		PTT-6050	NLW50-6	TT6X50	ML50-6	TE-1100

FIXED CAPACITORS

Capacity values given in the rating column are in mfd. for Paper Capacitors, and in mmfd. for Mica and Ceramic Capacitors.

ITEM No.	RATING	REMARKS	REPLACEMENT DATA					
			AEROVOX PART No.	CENTRALAB PART No.	CORNELL-DUBILIER PART No.	ELMENCO PART No.	MALLORY PART No.	SPRAGUE PART No.
C7	5		NPO-DI 5.0	DTZ-4R7	C10V5C	CCTO-050	CNO-547	10TCC-V50
C8	40000							
C9	20000		C80V203AM	DDA-203	H-05S2		TA-120	TG-S20
C10	5		NPO-DI 5.0	DTZ-4R7	C10V5C	CCTO-050	CNO-547	10TCC-V50
C11	20000		C80V203AM	DDA-203	H-05S2		TA-120	TG-S20
C12	5		NPO-DI 5.0	DTZ-4R7	C10V5C	CCTO-050	CNO-547	10TCC-V50
C13	20000		C80V203AM	DDA-203	H-05S2		TA-120	TG-S20
C14	20000		C80V203AM	DDA-203	H-05S2		TA-120	TG-S20
C15	5		NPO-DI 5.0	DTZ-4R7	C10V5C	CCTO-050	CNO-547	10TCC-V50
C16	20000		C80V203AM	DDA-203	H-05S2		TA-120	TG-S20
C17	10000		C80V103AM	DM-103	H-05S1		TA-110	TG-S10
C18	10000		C80V103AM	DM-103	H-05S1		TA-110	TG-S10
C19	5000		C80V502AM	DM-502	H-05D5	CCD-502	TA-250	TG-D50
C20	5000		C80V502AM	DM-502	H-05D5	CCD-502	TA-250	TG-D50
C21	40000							

D DESCRIPTIONS

CONTROLS

ITEM No.	RATING		REPLACEMENT DATA				INSTALLATION NOTES	
	RESISTANCE	WATTS	CROWN PART No.	CENTRALAB PART No.	CLAROSTAT PART No.	CTS-IRC PART No.		MALLORY PART No.
R1	5000Ω	1/4		BI6-214				Volume & Switch

RESISTORS (IRC or EQUIVALENT)

All wattages 1/2 watt, or less, unless otherwise listed.

ITEM No.	RATING	REMARKS	ITEM No.	RATING	REMARKS	ITEM No.	RATING	REMARKS
R2	30K		R9	33K		R16	30K	
R3	6800Ω		R10	1000Ω		R17	2200Ω	
R4	1000Ω		R11	500Ω		R18	150Ω	
R5	4700Ω		R12	100K		R19	2200Ω	
R6	82K		R13	10K		R20	5Ω	
R7	500Ω		R14	2200Ω		R21	150Ω	
R8	6800Ω		R15	100Ω				

COILS (RF-IF)

ITEM No.	USE	REPLACEMENT DATA				NOTES
		CROWN PART No.	Merit PART No.	Miller PART No.	Stancor PART No.	
L1	Loopstick					
L2	Osc. Coil					
L3	1st IF Trans.					
L4	2nd IF Trans.					
L5	3rd IF Trans.					

TRANSFORMER (DRIVER)

ITEM No.	TURNS RATIO		REPLACEMENT DATA					NOTES
	PRI.	SEC.	CROWN PART No.	Merit PART No.	Stancor PART No.	Thordarson PART No.	Triad PART No.	
T1	1.8Ω	1	TRT-27					

PARTS LIST AND DESCRIPTIONS (Continued)

TRANSFORMER (AUDIO OUTPUT)

ITEM No.	IMPEDANCE		REPLACEMENT DATA					NOTES
			CROWN PART No.	Merit PART No.	Stancor PART No.	Thordarson PART No.	Triad PART No.	
	PRI.	SEC.						
T2	360Ω CT	6-8Ω	TRT-28					

SPEAKER

ITEM No.	TYPE			REPLACEMENT DATA		NOTES
				CROWN PART No.	QUAM PART No.	
	SIZE	FIELD	V. C. IMP.			
SP1	2 1/4"	PM	6-8Ω			

BATTERIES

ITEM No.	VOLTAGE	CROWN PART No.	REPLACEMENT DATA						NOTES
			BURGESS		EVEREADY		MALLORY		
			"A"	"B"	"A"	"B"	"A"	"B"	
M1	1.5V			930 *		1015 *		M-15R *	* 3 Required

CRYSTAL DIODES

ITEM No.	ORIG. TYPE	REPLACEMENT DATA			NOTES
		CROWN PART No.	RAYTHEON PART No.	SYLVANIA PART No.	
M2	1N94A		1N34A	1N34A	Detector (Pigtail)

MISCELLANEOUS

ITEM No.	PART NAME	CROWN PART No.	NOTES
M3	Tuning Cap.		2 Gang

WIRING DATA

General-use Unshielded Hook-up Wire Use BELDEN No. 8530 (Solid) Available in Ten Colors
8524 (Stranded) Available in Ten Colors