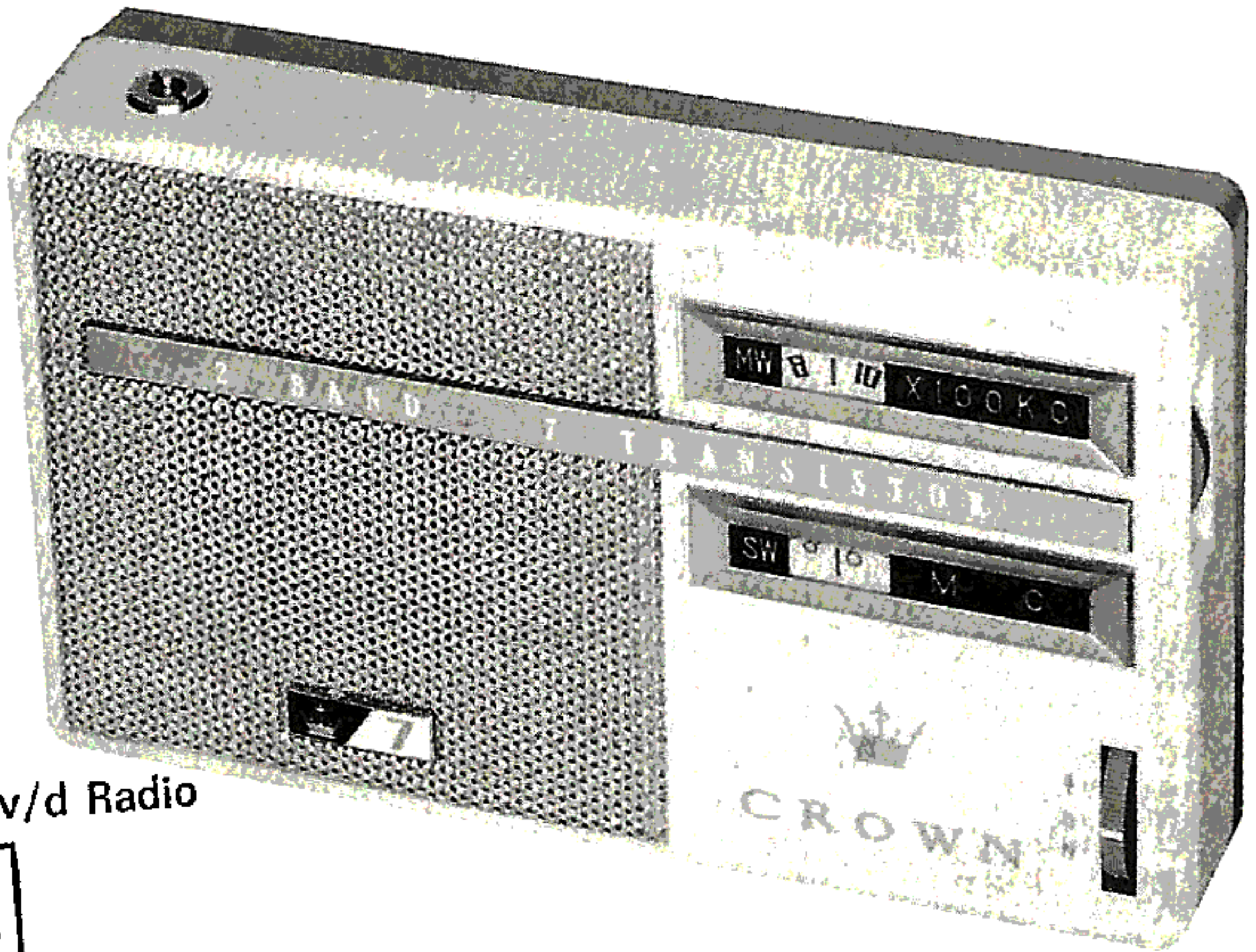


PHOTOFACT® Folder

with CIRCUITRACE®

**CROWN
MODEL TR-750**

Met dank aan Jef Bos



Ver. v. Historie v/d Radio



TRADE NAME	Crown Model TR-750
IMPORTER	Shiro, Inc., 276 Fourth Ave., New York 10, N. Y.
TYPE SET	Battery Operated Transistorized Portable BC-SW Receiver
POWER SUPPLY	6 Volts DC
TUNING RANGE--BROADCAST	540 - 1600KC
	RATING 7MA @ 6 Volts DC (No Signal, Min. Volume)
	20MA @ 6 Volts DC (Signal, Normal Volume)
	SHORT WAVE 4-10MC

ALIGNMENT INSTRUCTIONS

ALIGNMENT INSTRUCTIONS--READ CAREFULLY BEFORE ATTEMPTING ALIGNMENT

Volume control should be at maximum position. Output of signal generator should be no higher than necessary to obtain an output reading.

Suggested Alignment Tools:

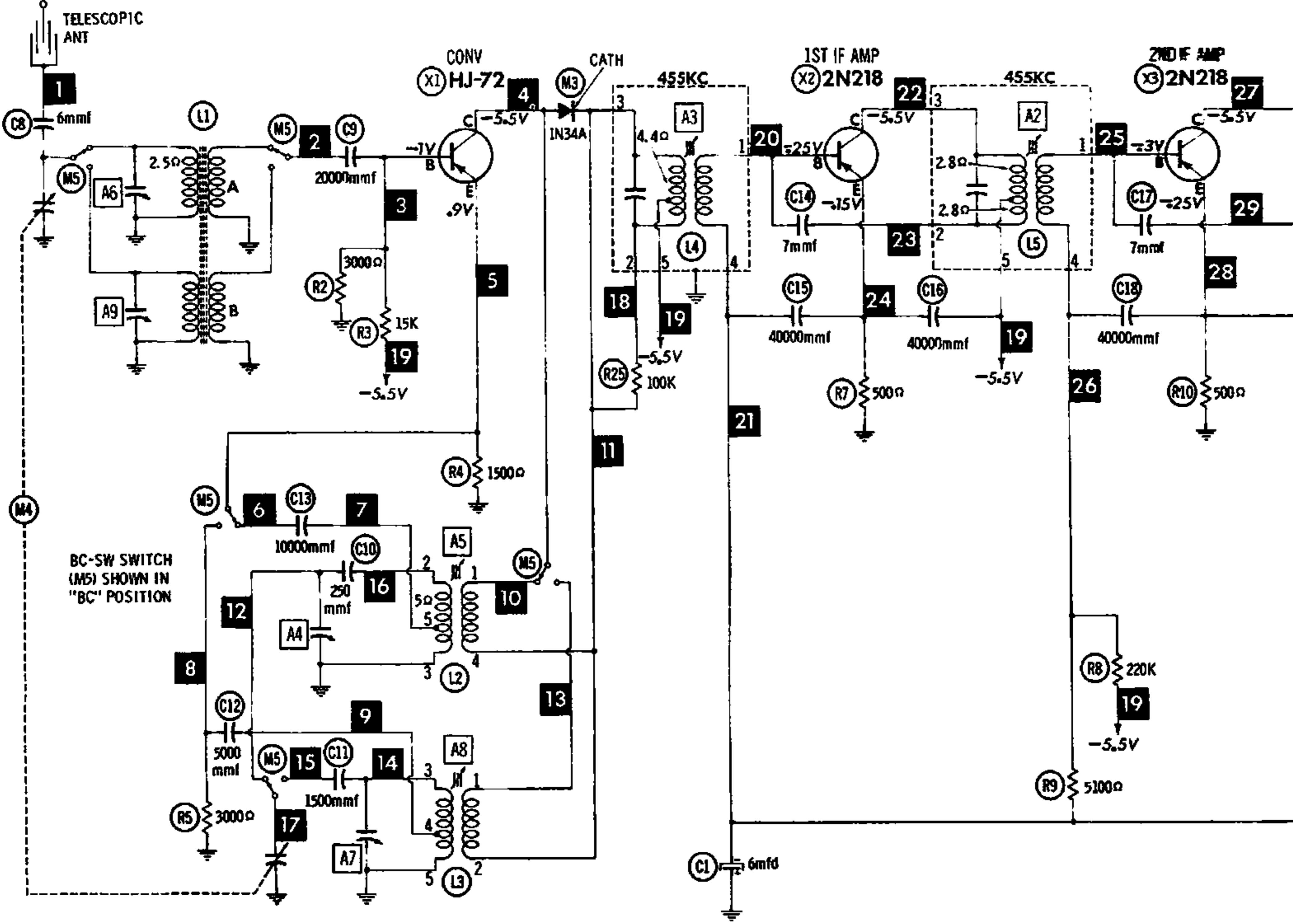
- A1, A2, A3, A5... GENERAL CEMENT #5004, 5009, 8195, 8274, 8275, 8607, 8728, 8987, 8988, 8989, 9291
- WALSCO #2515, 2520, 2522, 2523, 2531, 2532, 2534, 2537, 2538
- A4, A6, A7, A9... GENERAL CEMENT #5000, 5003, 5066, 8271, 8272, 8276, 8277, 8290, 8609, 8722, 9150, 9298
- WALSCO #2515, 2516, 2518, 2519, 2525, 2541
- A8..... GENERAL CEMENT #9440

	SIGNAL GENERATOR COUPLING	SIGNAL GENERATOR FREQUENCY	RADIO DIAL SETTING	OUTPUT METER	ADJUST	REMARKS
1.	Loop	455KC (400v Mod.)	(MW) Tuning gang fully open.	Across voice coll.	A1, A2, A3	Fashion loop of several turns of wire and radiate signal into loop of receiver. Adjust for maximum output.
2.	"	1600KC	1600KC	"	A4	"
3.	"	600KC	600KC	"	A5	"
4.	"	1400KC	1400KC Signal.	"	A6	Adjust for maximum output while rocking tuning gang.
5.	"	10MC	(SW) 10MC	"	A7	Adjust for maximum output.
6.	"	4MC	4MC	"	A8	"
7.	"	8MC	8MC Signal.	"	A9	Adjust for maximum output while rocking tuning gang.

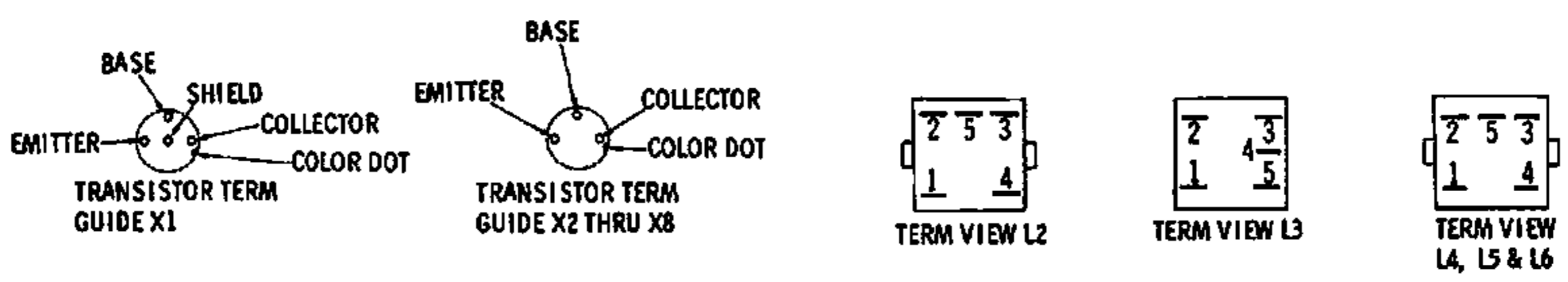
HOWARD W. SAMS & CO., INC. Indianapolis 6, Indiana

The listing of any available replacement part herein does not constitute in any case a recommendation, warranty or guaranty by Howard W. Sams & Co., Inc., as to the quality and suitability of such replacement part. The numbers of these parts have been compiled from information furnished to Howard W. Sams & Co., Inc., by the manufacturers of KF300

the particular type of replacement part listed. Reproduction or use, without express permission, of editorial or pictorial content, in any manner, is prohibited. No patent liability is assumed with respect to the use of the information contained herein. © 1961 Howard W. Sams & Co., Inc., Indianapolis 6, Indiana. Printed in U.S. of America

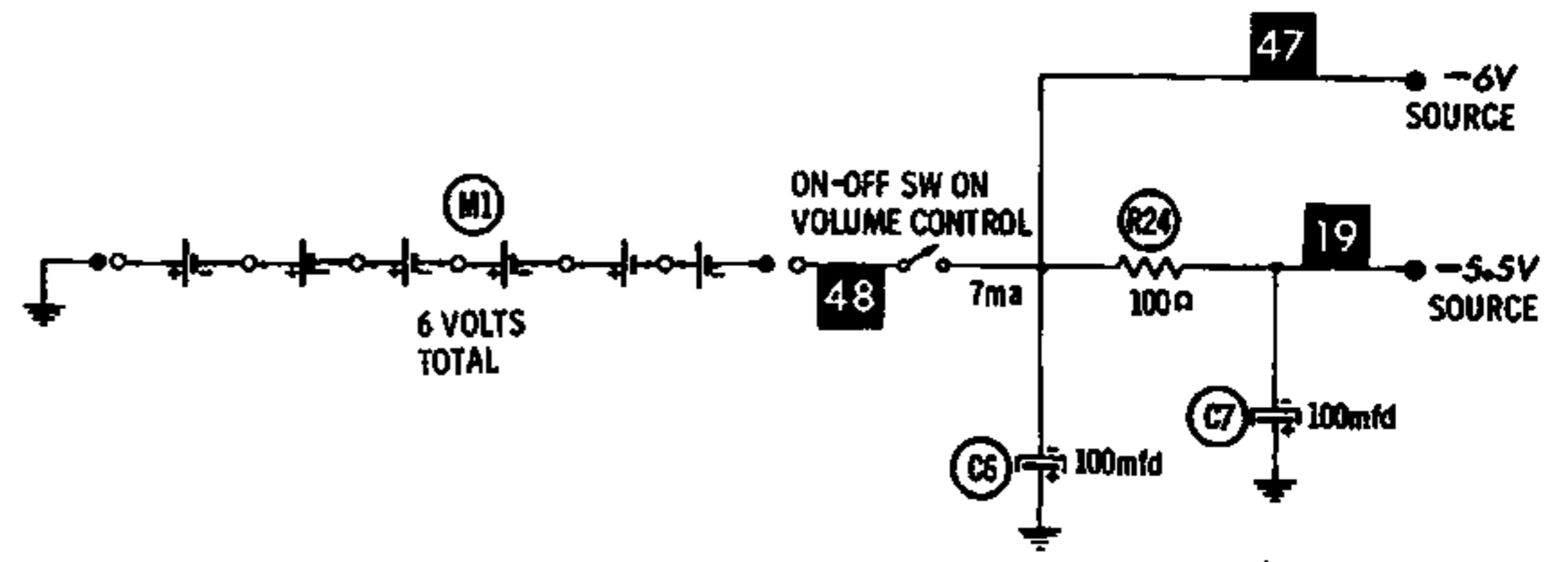
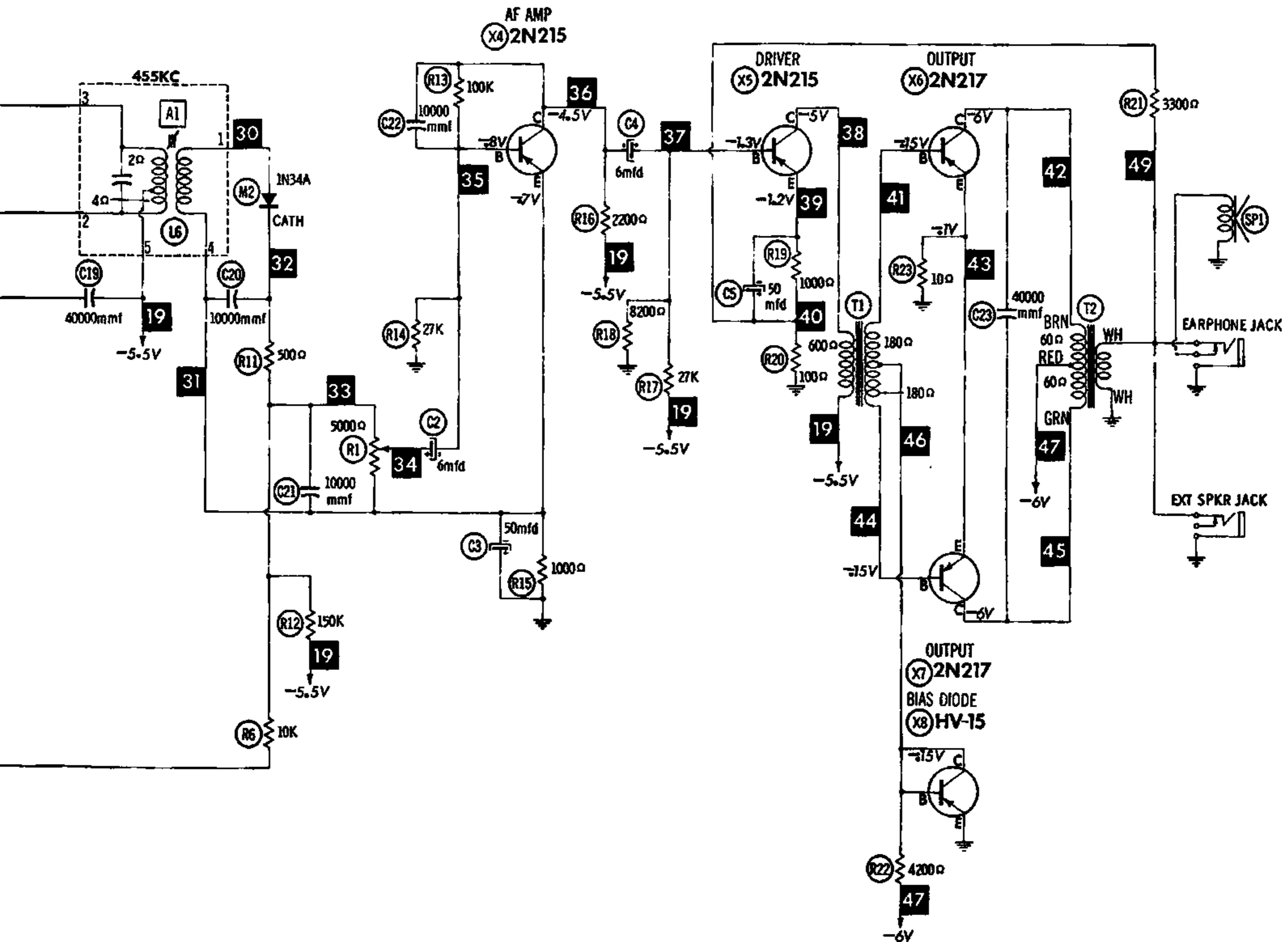


NUMBERS ASSIGNED TO COILS, SWITCHES, PLUGS, SOCKETS, AND TRANSFORMERS ARE TO FACILITATE CIRCUIT TRACING OR COMPONENT REPLACEMENT AND MAY NOT NECESSARILY BE FOUND ON THE UNIT.

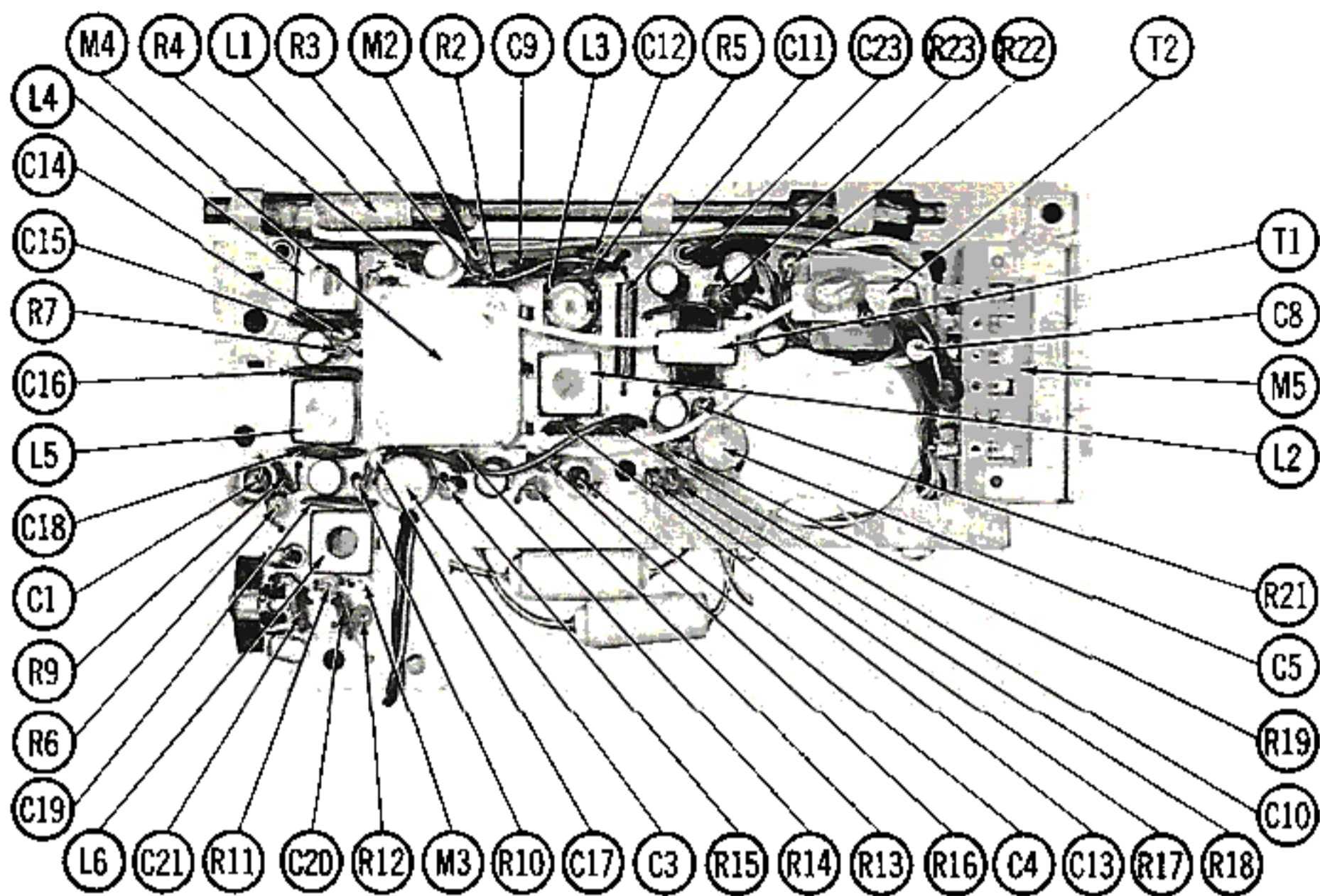


RESISTANCE MEASUREMENTS NOT GIVEN BECAUSE OF THE WIDE VARIATION IN INTERNAL TRANSISTOR RESISTANCE.

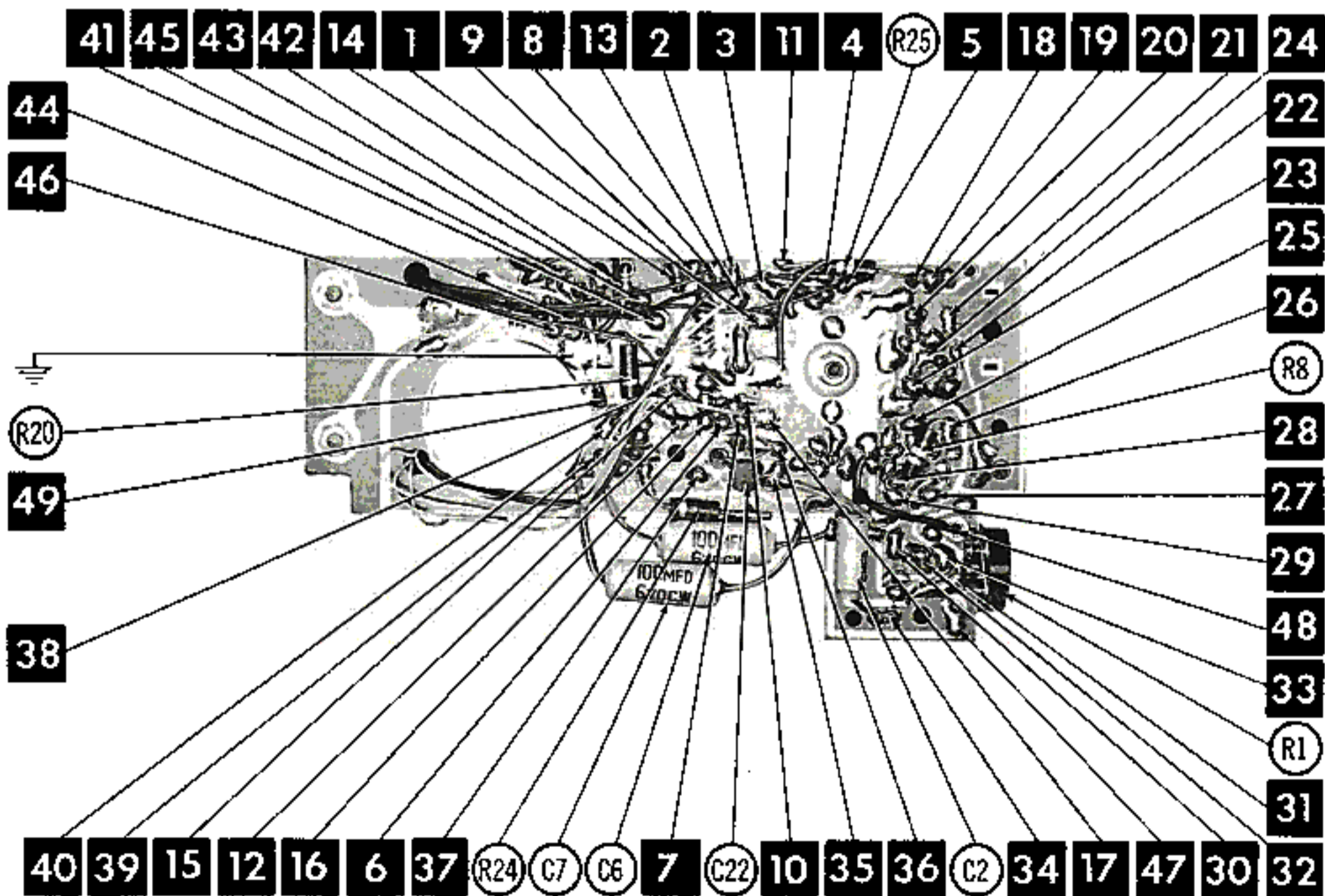
1. DC voltage measurements taken with vacuum tube voltmeter.
2. Socket connections or transistor terminals are shown as bottom views.
3. Measured values are from socket pin or terminal to common ground.
4. Nominal tolerance on component values makes possible a variation of $\pm 15\%$ in voltage and resistance readings.
5. Volume control at maximum, no signal applied for voltage measurements.



CROWN MODEL TR-750



PRINTED BOARD



PRINTED BOARD

TRANSISTORS

ITEM No.	ORIG. TYPE	USE	REPLACEMENT DATA			NOTES
			RCA PART No.	RAYTHEON PART No.	SYLVANIA PART No.	
X1	HJ-72	Converter				PNP
X2	2N218	1st IF Amplifier	2N218	2N482	2N218	PNP
X3	2N218	2nd IF Amplifier	2N218	2N482	2N218	PNP
X4	2N215	AF Amplifier	2N407	2N362	2N104	PNP
X5	2N215	Driver	2N407	2N362	2N104	PNP
X6	2N217	Output	2N407	2N633	2N217	PNP
X7	2N217	Output	2N407	2N633	2N217	PNP
X8	HV-15	Bias Diode	1N2326			

ELECTROLYTIC CAPACITORS

ITEM No.	RATING		REPLACEMENT DATA					NOTES
	CAP.	VOLT.	CROWN PART No.	AEROVOX PART No.	CORNELL-DUBILIER PART No.	MALLORY PART No.	PYRAMID PART No.	
C1	6	6			NLW5-6	TT10X6	MLV10-6	TE-1085
C2	6	6			NLW5-6	TT10X6	MLV10-6	TE-1085
C3	50	6		BCD6050	NLW50-6	TT6X50	ML50-6	TE-1100
C4	6	6			NLW5-6	TT10X6	MLV10-6	TE-1085
C5	50	6		BCD6050	NLW50-6	TT6X50	ML50-6	TE-1100
C6	100	6		PTT-6100	NLW100-6	TT6X100	ML100-6	TE-1102
C7	100	6		PTT-6100	NLW100-6	TT6X100	ML100-6	TE-1102

FIXED CAPACITORS

Capacity values given in the rating column are in mfd. for Paper Capacitors, and in mmfd. for Mica and Ceramic Capacitors.

ITEM No.	RATING	REMARKS	REPLACEMENT DATA					
			AEROVOX PART No.	CENTRALAB PART No.	CORNELL-DUBILIER PART No.	ELMENCO PART No.	MALLORY PART No.	SPRAGUE PART No.
C8	6			DD-080	C10V6C			10TS-V60
C9	20000		C80V203AM	DA-203	H-05S2		TA-120	TG-S20
C10	250		DI-250	DD-251	L10T25	CCD-251	GP325	10TS-T25
C11	1500		1467-0015	DD-152	5R5D15	CM-20E-152	MC256	1FM-215
C12	5000		C80V502AM	DA-502	H-05D5	CCD-502	TA-250	TG-D50
C13	10000		C80V103AM	DM-103	H-05S1		TA-110	TG-S10
C14	7							
C15	40000							
C16	40000							
C17	7		DI-6.8	DD-6R8	L10V7	CCTO-6R8	CNO-568	10TCC-V68
C18	40000							
C19	40000							
C20	10000		C80V103AM	DM-103	H-05S1		TA-110	TG-S10
C21	10000		C80V103AM	DM-103	H-05S1		TA-110	TG-S10
C22	10000		C80V103AM	DM-103	H-05S1		TA-110	TG-S10
C23	40000							

ND DESCRIPTIONS

CONTROLS

ITEM No.	RATING		REPLACEMENT DATA					INSTALLATION NOTES
	RESISTANCE	WATTS	CROWN PART No.	CENTRALAB PART No.	CLAROSTAT PART No.	CTS-IRC PART No.	MALLORY PART No.	
R1	5000Ω	1/10		B16-214				Volume & Switch

RESISTORS

All wattages 1/2 watt, or less, unless otherwise listed.

ITEM No.	RATING	REPLACEMENT DATA			ITEM No.	RATING	REPLACEMENT DATA		
		IRC PART No.	WORKMAN TV PART No.	REMARKS			IRC PART No.	WORKMAN TV PART No.	REMARKS
R2	3000Ω				R14	27K			
R3	15K				R15	1000Ω			
R4	1500Ω				R16	2200Ω			
R5	3000Ω				R17	27K			
R6	10K				R18	8200Ω			
R7	500Ω				R19	1000Ω			
R8	220K				R20	100Ω			
R9	5100Ω				R21	3300Ω			
R10	500Ω				R22	4200Ω			
R11	500Ω				R23	10Ω			
R12	150K				R24	100Ω			
R13	100K				R25	100K			

COILS (RF-IF)

ITEM No.	USE	REPLACEMENT DATA				NOTES
		CROWN PART No.	Merit PART No.	Miller PART No.	Stancor PART No.	
L1A	BC Loopstick					
B	SW Loopstick					
L2	BC Osc. Coil					
L3	SW Osc. Coil					
L4	1st IF Trans.					
L5	2nd IF Trans.					
L6	3rd IF Trans.					

TRANSFORMER (DRIVER)

ITEM No.	TURNS RATIO		REPLACEMENT DATA					NOTES
	PRI.	SEC.	CROWN PART No.	Merit PART No.	Stancor PART No.	Thordarson PART No.	Triad PART No.	
T1	1	1	TRT-30					

PARTS LIST AND DESCRIPTIONS (Continued)

TRANSFORMER (AUDIO OUTPUT)

ITEM No.	IMPEDANCE		REPLACEMENT DATA					NOTES
			CROWN PART No.	Merit PART No.	Stancor PART No.	Thordarson PART No.	Triad PART No.	
	PRI.	SEC.						
T2	200Ω CT	6-8Ω	TRT-32		TA-20①			① Use 12Ω Secondary.

SPEAKER

ITEM No.	TYPE			REPLACEMENT DATA		NOTES
				CROWN PART No.	QUAM PART No.	
	SIZE	FIELD	V. C. IMP.			
SP1	2 1/4"	PM	6-8Ω			

BATTERIES

ITEM No.	VOLTAGE	CROWN PART No.	REPLACEMENT DATA						NOTES
			BURGESS		EVEREADY		MALLORY		
			"A"	"B"	"A"	"B"	"A"	"B"	
M1	1.5V			930 *		1015 *		M-15R *	* 4 Required

SIGNAL DIODES

ITEM No.	ORIG. TYPE	REPLACEMENT DATA				NOTES
		CROWN PART No.	GENERAL ELECTRIC PART No.	RAYTHEON PART No.	SYLVANIA PART No.	
M2	1N34A			1N34A	1N34A	Detector (Pigtail) Overload & AVC (Pigtail)
M3	1N34A			1N34A	1N34A	

MISCELLANEOUS

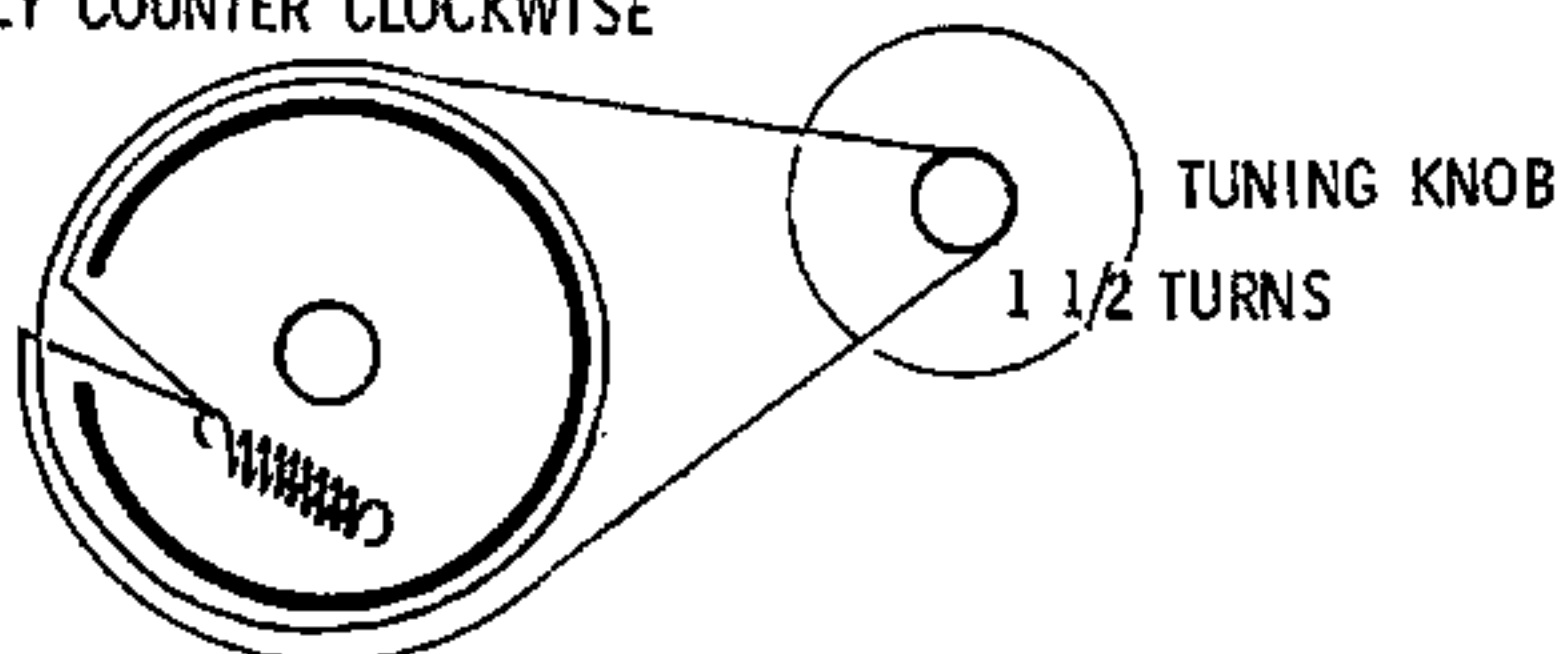
ITEM No.	PART NAME	CROWN PART No.	NOTES
M4 M5	Tuning Cap Switch		2 Gang BC-SW (Slide Type)

WIRING DATA

General-use Unshielded Hook-up Wire Use BELDEN No. 8530 (Solid) Available in Ten Colors
8524 (Stranded) Available in Ten Colors

TUNING DRIVE CORD STRINGING

TUNING GANG FULLY COUNTER CLOCKWISE



FRONT VIEW

CHASSIS—TOP VIEW

