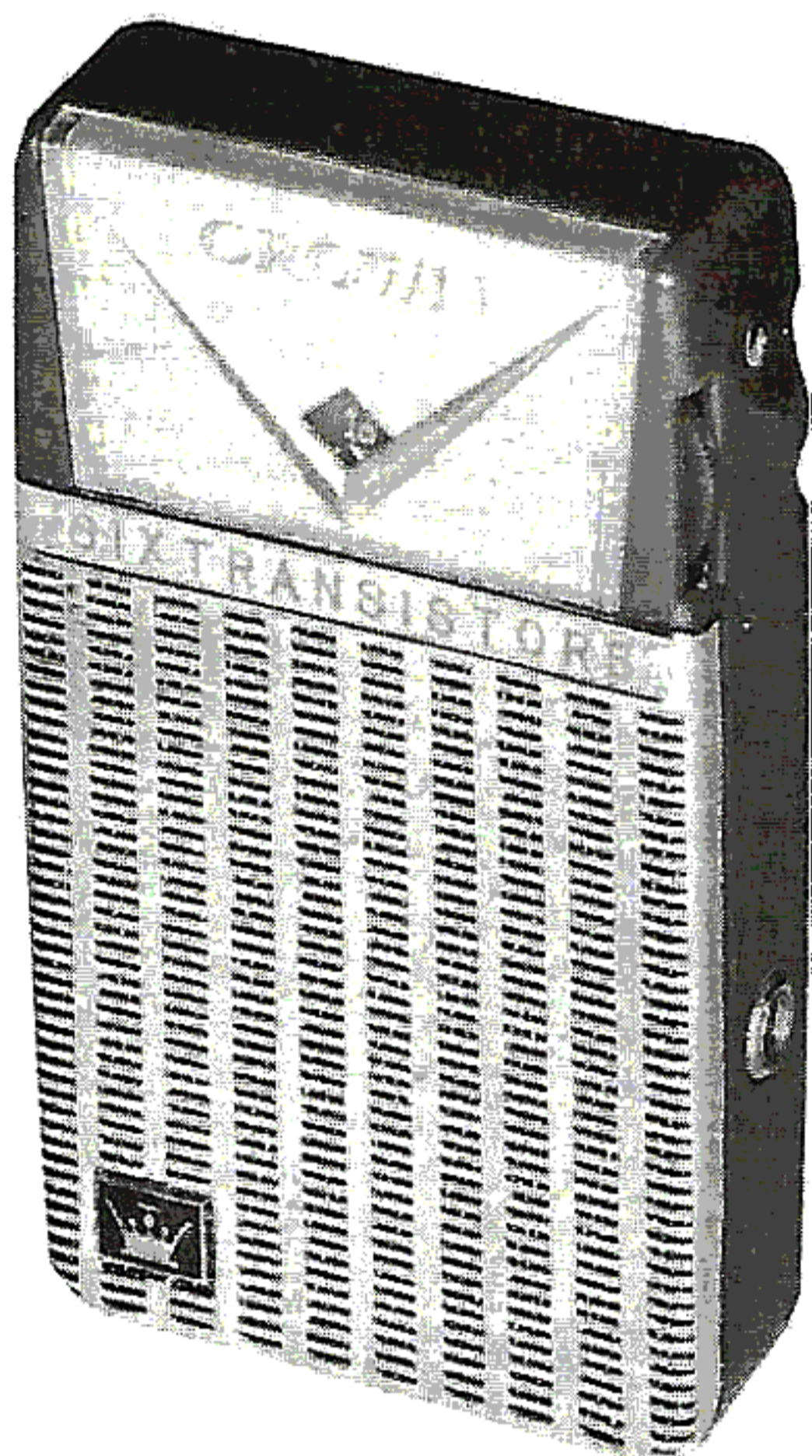
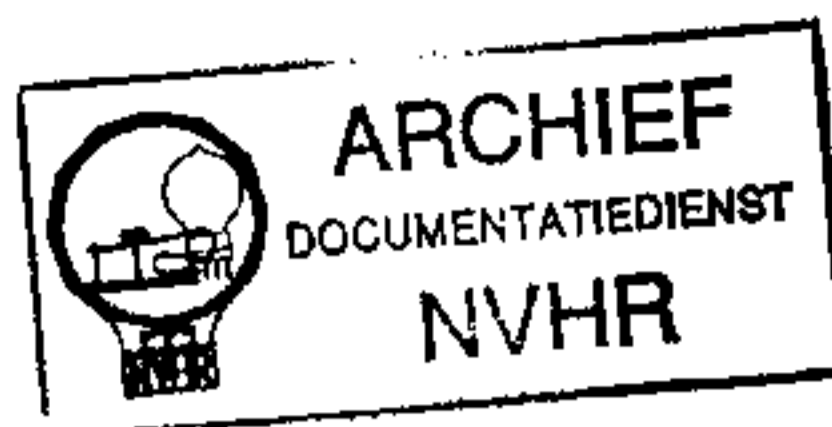


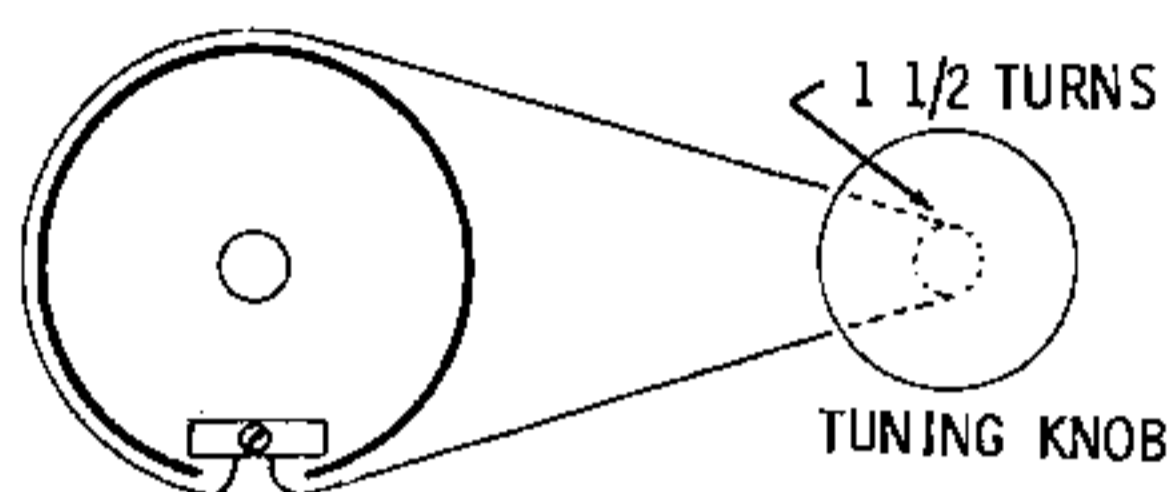
Met dank aan Jef Bos

Ned. Ver. v. Historie v/d Radio



DRIVE CORD STRINGING

TUNING GANG FULLY CLOSED



FRONT VIEW

TRADE NAME	Crown Model TR-670		
IMPORTER	Shriro, Inc., 276 Fourth Ave., New York 10, N. Y.		
TYPE SET	Battery Operated Transistorized Portable AM Receiver		
POWER SUPPLY	9 Volts DC	RATING	6 MA @ 9 Volts DC (No Signal, Min. Volume)
TUNING RANGE—BROADCAST	535 — 1640KC		9 MA @ 9 Volts DC (Signal, Normal Volume)

ALIGNMENT INSTRUCTIONS

ALIGNMENT INSTRUCTIONS—READ CAREFULLY BEFORE ATTEMPTING ALIGNMENT

Volume control should be at maximum position. Output of signal generator should be no higher than necessary to obtain an output reading.

Suggested Alignment Tools: A1, A2, A3, A4. GENERAL CEMENT #8607, 9291, 9294

WALSCO #2520, 2522, 2523, 2524, 2534, 2537

A4, A6... GENERAL CEMENT #5000, 5003, 5066, 8271, 8272, 8276, 8277, 8290, 8609, 8722, 9150, 9298

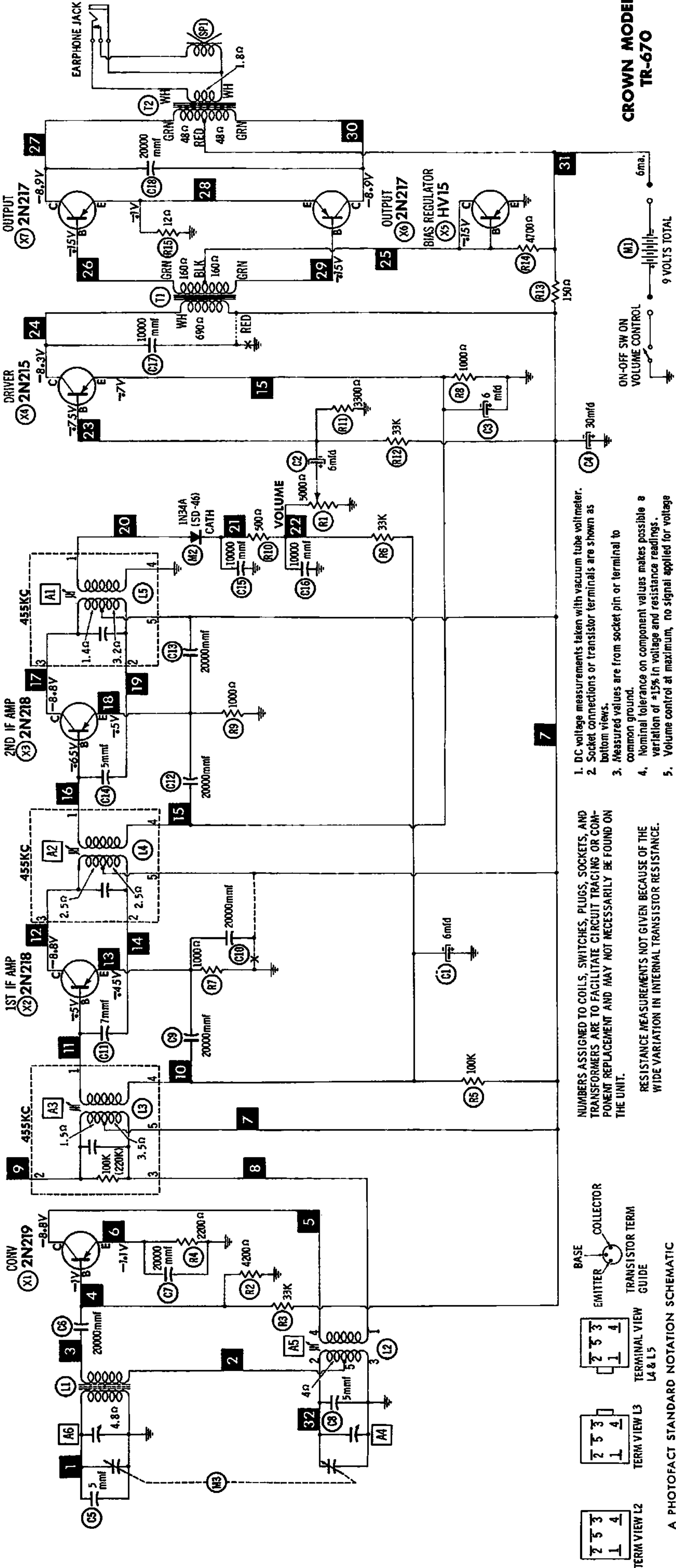
WALSCO #2515, 2516, 2518, 2519, 2525, 2541

	SIGNAL GENERATOR COUPLING	SIGNAL GENERATOR FREQUENCY	RADIO DIAL SETTING	OUTPUT METER	ADJUST	REMARKS
2.	Loop	455KC (400% Mod.)	Tuning gang fully open.	Across voice coil.	A1, A2, A3	Fashion loop of several turns of wire and radiate signal into loop of receiver. Adjust for maximum output.
2.	"	1600KC	1600KC	"	A4	"
3.	"	600KC	Tune to 600KC Signal.	"	A5	Adjust for maximum output while rocking tuning gang.
4.	"	1400KC	Tune to 1400KC Signal.	"	A6	Adjust for maximum output.

HOWARD W. SAMS & CO., INC. Indianapolis 6, Indiana

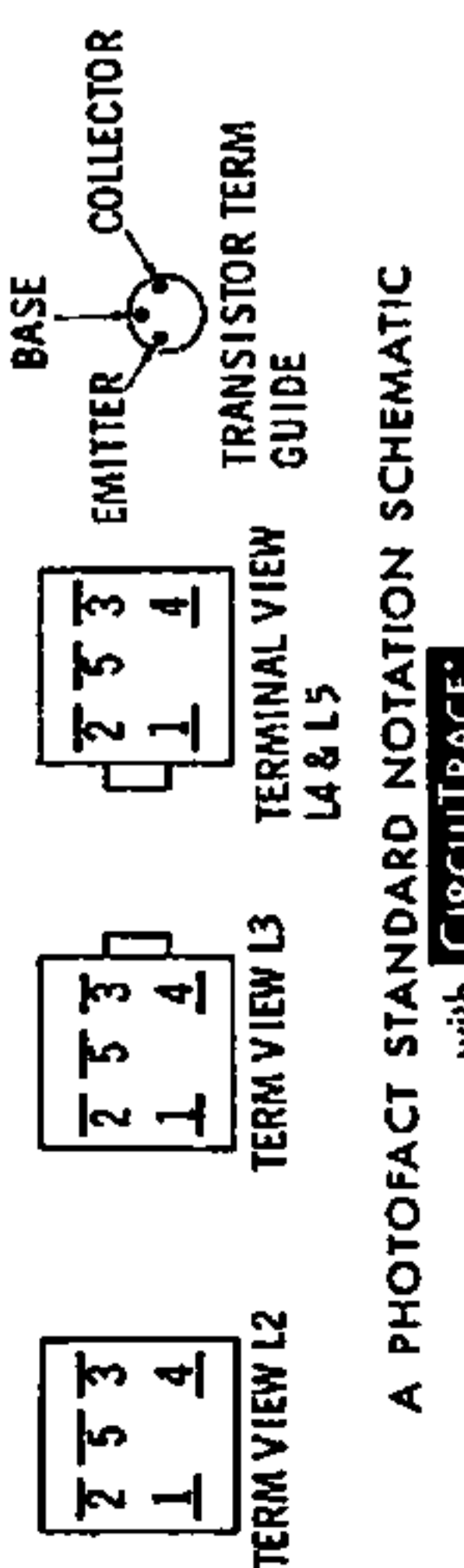
The listing of any available replacement part herein does not constitute in any case a recommendation, warranty or guaranty by Howard W. Sams & Co., Inc., as to the quality and suitability of such replacement part. The numbers of these parts have been compiled from information furnished to Howard W. Sams & Co., Inc., by the manufacturers of JF931

the particular type of replacement part listed. Reproduction or use, without express permission, of editorial or pictorial content, in any manner, is prohibited. No patent liability is assumed with respect to the use of the information contained herein. © 1960 Howard W. Sams & Co., Inc., Indianapolis 6, Indiana. Printed in U.S. of America



1. DC voltage measurements taken with vacuum tube voltmeter.
2. Socket connections or transistor terminals are shown as bottom views.
3. Measured values are from socket pin or terminal to common ground.
4. Nominal tolerance on component values makes possible a variation of $\pm 15\%$ in voltage and resistance readings.
5. Volume control at maximum, no signal applied for voltage measurements.

- NUMBERS ASSIGNED TO COILS, SWITCHES, PLUGS, SOCKETS, AND TRANSFORMERS ARE TO FACILITATE CIRCUIT TRACING OR COMPONENT REPLACEMENT AND MAY NOT NECESSARILY BE FOUND ON THE UNIT.
- RESISTANCE MEASUREMENTS NOT GIVEN BECAUSE OF THE WIDE VARIATION IN INTERNAL TRANSISTOR RESISTANCE.



**CROWN MODEL
TR-670**

PARTS LIST AND DESCRIPTIONS

TRANSISTORS

ITEM No.	ORIG. TYPE	USE	REPLACEMENT DATA				NOTES
			CBS PART No.	RCA PART No.	RAYTHEON PART No.	SYLVANIA PART No.	
X1	2N219	Converter		2N219	2N486	2N219	PNP
X2	2N218	1st IF Amplifier		2N218	2N483	2N218	PNP
X3	2N218	2nd IF Amplifier		2N218	2N483	2N218	PNP
X4	2N215	Driver		2N406	2N362	2N104	PNP
X5	HV15	Bias Regulator			CK879		
X6	2N217	Output		2N217	2N632	2N217	PNP
X7	2N217	Output		2N217	2N632	2N217	PNP } Matched Pair

ELECTROLYTIC CAPACITORS

ITEM No.	RATING		REPLACEMENT DATA					NOTES
	CAP.	VOLT.	CROWN PART No.	AEROVOX PART No.	CORNELL-DUBILIER PART No.	MALLORY PART No.	PYRAMID PART No.	
C1	6	6			NLW6-15	TT6X5		
C2	6	6			NLW6-15	TT6X5		
C3	6	6			NLW6-15	TT6X5		
C4	30	10		XPP-10030	NLW25-10	TT15X30	ML30-15	TE-1158

FIXED CAPACITORS

Capacity values given in the rating column are in mfd. for Paper Capacitors, and in mmfd. for Mica and Ceramic Capacitors.

ITEM No.	RATING	REMARKS	REPLACEMENT DATA					SPRAGUE PART No.
			AEROVOX PART No.	CENTRALAB PART No.	CORNELL-DUBILIER PART No.	ELMENCO PART No.	MALLORY PART No.	
C5	5		NPO-DI 5.0	DTZ-4R7	C10V5C	CCTO-050	CNO-547	10TCC-V50
C6	20000		C80V203AM	DDM-203	H-05S5		TA-120	TG-S20
C7	20000		C80V203AM	DDM-203	H-05S2		TA-120	TG-S20
C8	5		NPO-DI 5.0	DTZ-4R7	C10V5C	CCTO-050	CNO-547	10TCC-V50
C9	20000		C80V203AM	DDM-203	H-05S2		TA-120	TG-S20
C10	20000		C80V203AM	DDM-203	H-05S5		TA-120	TG-S20
C11	7		NPO-DI 6.8	DTZ-6R8	C10V7C	CCTO-6R8	CNO-568	10TCC-V68
C12	20000		C80V203AM	DDM-203	H-05S2		TA-120	TG-S20
C13	20000		C80V203AM	DDM-203	H-05S2		TA-120	TG-S20
C14	5		NPO-DI 5.0	DTZ-4R7	C10V5C	CCTO-050	CNO-547	10TCC-V50
C15	10000		C80V103AM	DDM-103	H-05S1		TA-110	TG-S10
C16	10000		C80V103AM	DDM-103	H-05S1		TA-110	TG-S10
C17	10000		C80V103AM	DDM-103	H-05S1		TA-110	TG-S10
C18	20000		C80V203AM	DDM-203	H-05S2		TA-120	TG-S20

CONTROLS

ITEM No.	RATING		REPLACEMENT DATA				INSTALLATION NOTES	
	RESISTANCE	WATTS	CROWN PART No.	CENTRALAB PART No.	CLAROSTAT PART No.	CTS-IRC PART No.		MALLORY PART No.
RIA B	5000Ω Switch	1/4	TV-200A	B16-216 Not Req.				Volume Power Off-On

RESISTORS (IRC or EQUIVALENT)

All wattages 1/2 watt, or less, unless otherwise listed.

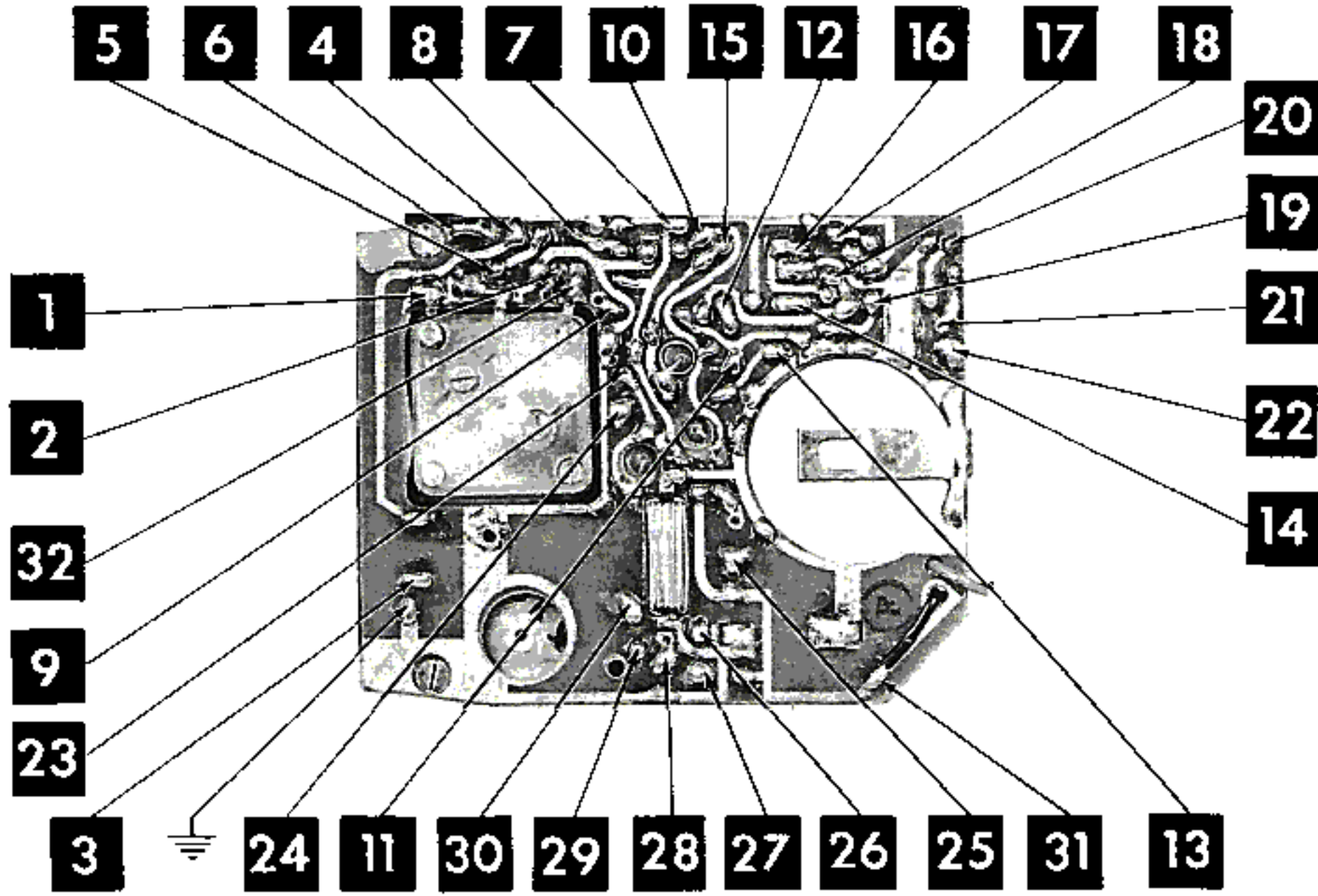
ITEM No.	RATING	REMARKS
R2	4200Ω	
R3	33K	
R4	2200Ω	
R5	100K	
R6	33K	

ITEM No.	RATING	REMARKS
R7	1000Ω	
R8	1000Ω	
R9	1000Ω	
R10	500Ω	
R11	3300Ω	

ITEM No.	RATING	REMARKS
R12	33K	
R13	150Ω	
R14	4700Ω	
R15	12Ω	

PRINTED BOARD

A Howard W. Jones **CIRCUITRY** Photo



PARTS LIST AND DESCRIPTIONS (Continued)

COILS (RF-IF)

ITEM No.	USE	REPLACEMENT DATA				NOTES
		CROWN PART No.	Merit PART No.	Miller PART No.	Ram PART No.	
L1	Loopstick	670A				
L2	Osc. Coil	XO-81				
L3	1st IF Trans.	8508				
L4	2nd IF Trans.	8503				
L5	3rd IF Trans.	8549				

TRANSFORMER (DRIVER)

ITEM No.	TURNS RATIO		REPLACEMENT DATA					NOTES
			CROWN PART No.	Merit PART No.	Stancor PART No.	Thordarson PART No.	Triad PART No.	
	PRI.	SEC.						
T1	1	1	TRT-22			TR-38		

TRANSFORMER (AUDIO OUTPUT)

ITEM No.	IMPEDANCE		REPLACEMENT DATA					NOTES
			CROWN PART No.	Merit PART No.	Ram PART No.	Stancor PART No.	Thordarson PART No.	
	PRI.	SEC.						
T2	400Ω CT	6-8Ω	TRT-23					

SPEAKER

ITEM No.	TYPE			REPLACEMENT DATA		NOTES
				CROWN PART No.	QUAM PART No.	
	SIZE	FIELD	V. C. IMP.			
SP1	2 1/4"	PM	6-8Ω	PL-230		

BATTERIES

ITEM No.	VOLTAGE	CROWN PART No.	REPLACEMENT DATA						NOTES
			BURGESS		EVEREADY		MALLORY		
			"A"	"B"	"A"	"B"	"A"	"B"	
M1	9V			2U6		2I6		M-1604	

CRYSTAL DIODES

ITEM No.	ORIG. TYPE	REPLACEMENT DATA				NOTES
		CROWN PART No.	CBS PART No.	RAYTHEON PART No.	SYLVANIA PART No.	
M2	1N34A *		1N34A	1N34A	1N34A	Detector (Pigtail)

* Alternate Type SD-46.

MISCELLANEOUS

ITEM No.	PART NAME	CROWN PART No.	NOTES
M3	Tuning Cap.		2 Gang

WIRING DATA

General-use Unshielded Hook-up Wire Use BELDEN No. 8530 (Solid) Available in Ten Colors
8524 (Stranded) Available in Ten Colors

CHASSIS—TOP VIEW

