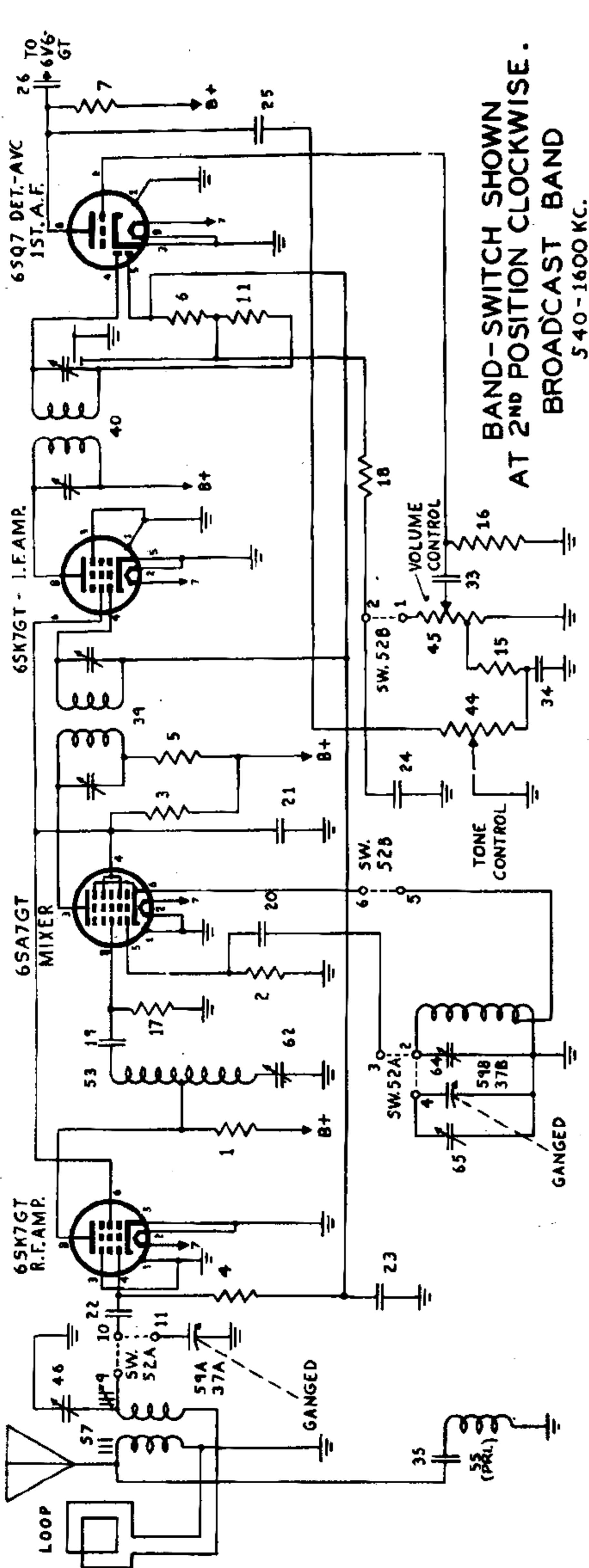
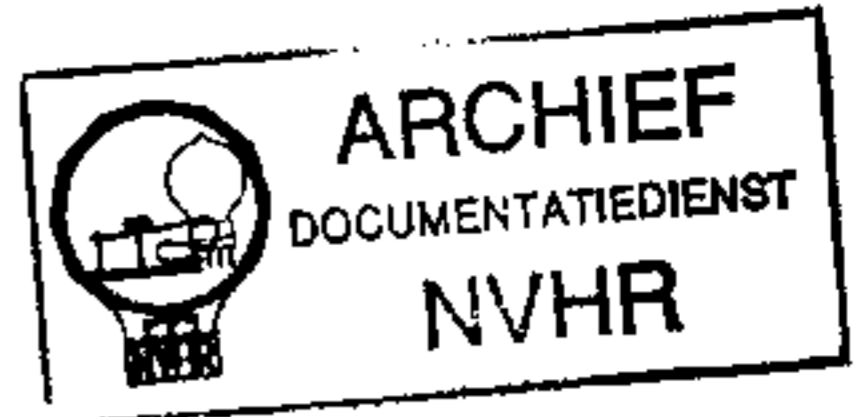
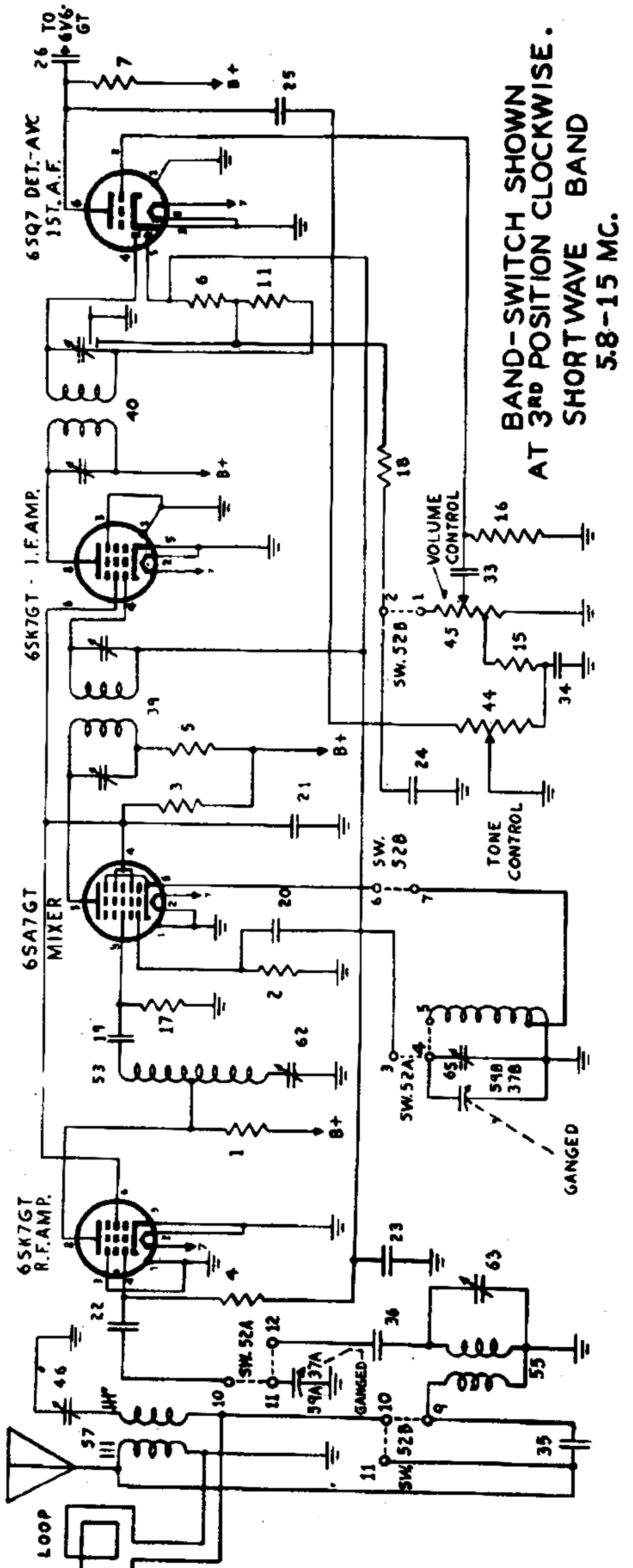


MODELS 66CA, 66CP, 66CQ
MODELS 66TA, 66TC, 66TW

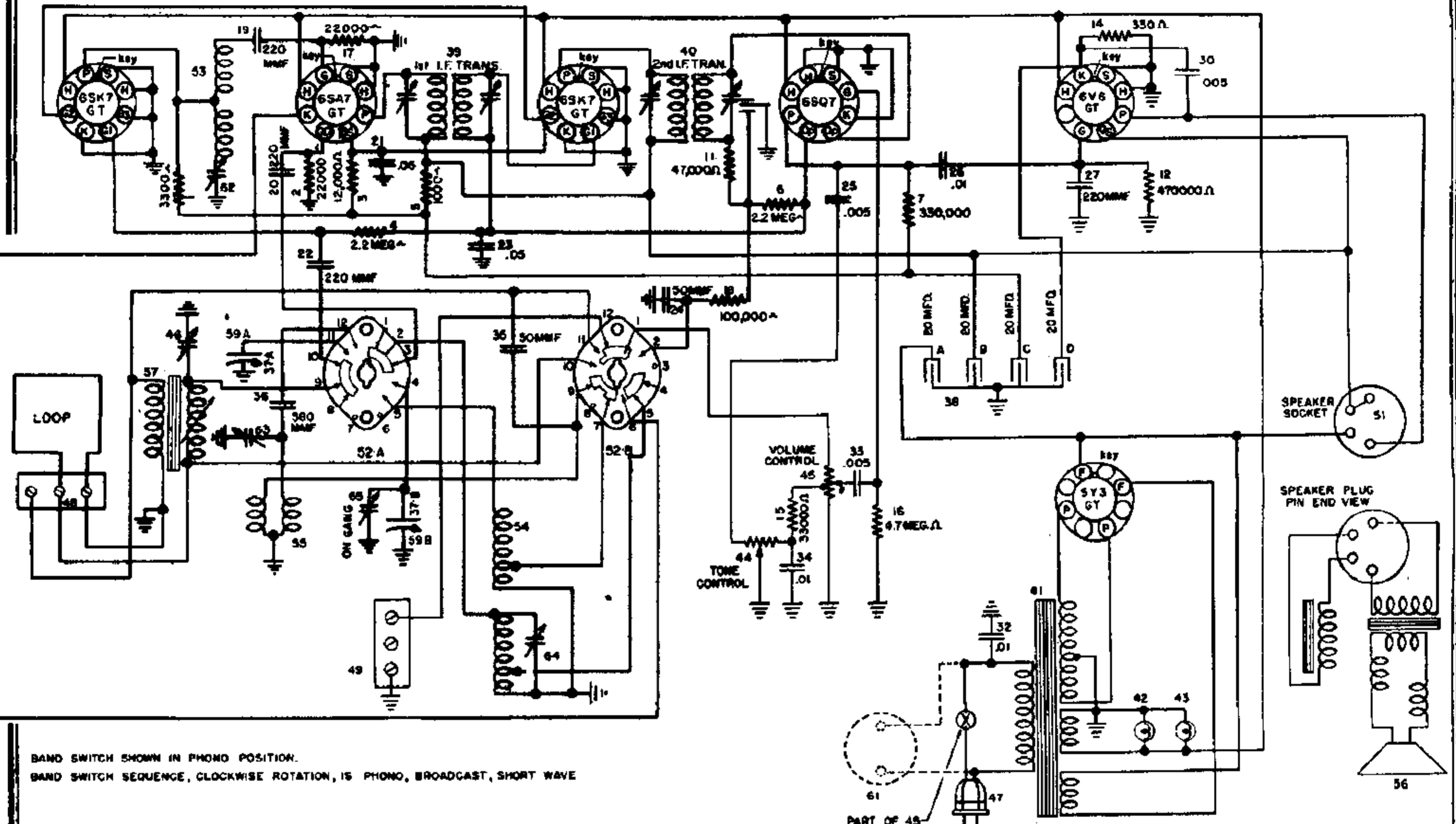
THE CROSLEY CORP.



NOTE: 1ST. POSITION (PHONO.) DRAWING NOT SHOWN



THE CROSLEY CORP.

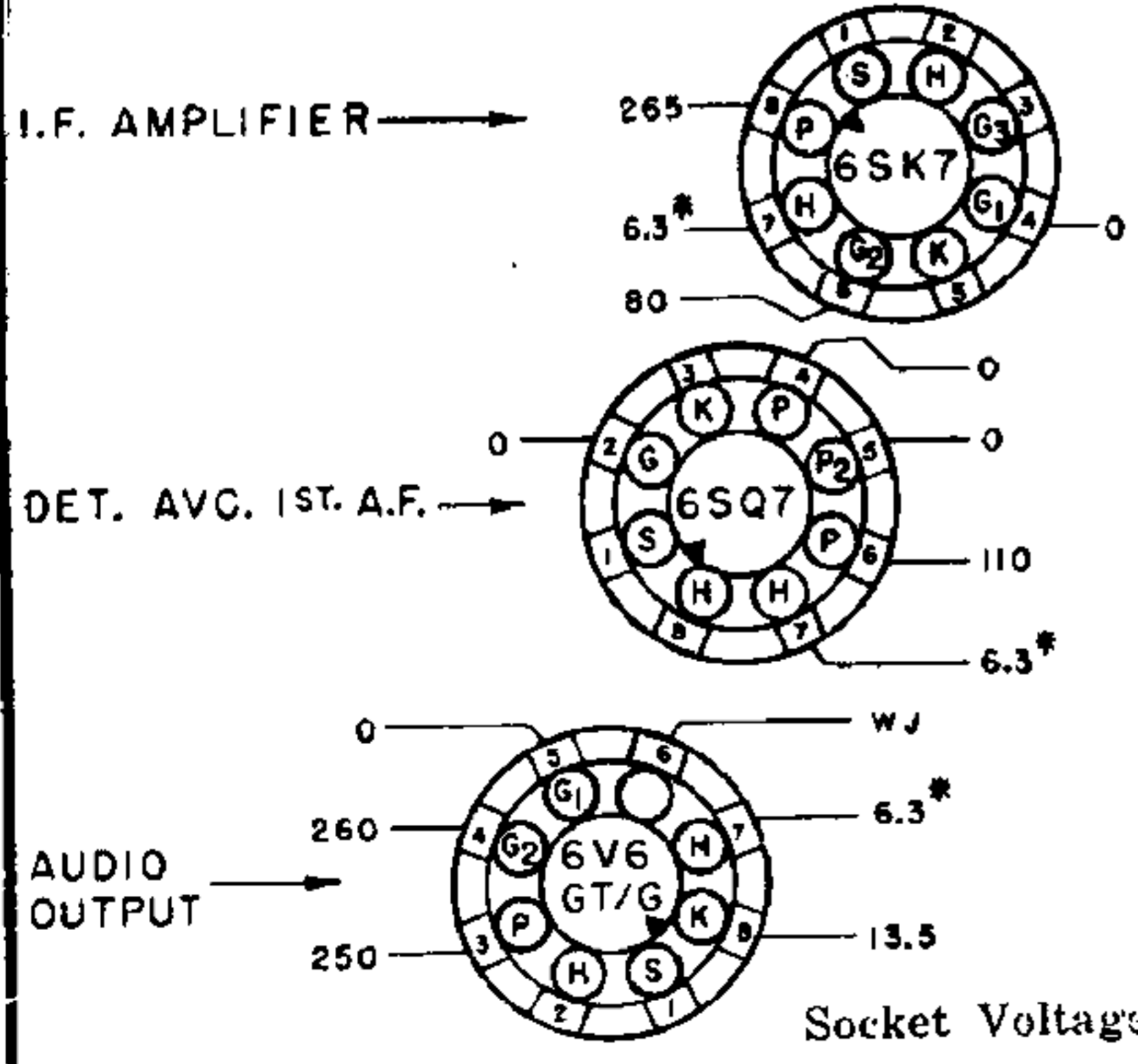


BAND SWITCH SHOWN IN PHONO POSITION.
 BAND SWITCH SEQUENCE, CLOCKWISE ROTATION, IS PHONO, BROADCAST, SHORT WAVE

FREQUENCY RANGE: American Broadcast Band: 540 to 1600 kc. (Selector switch at A.)
 Overseas Short-wave Band: 5.8 to 15 mc. (Selector switch at 0.)
INTERMEDIATE FREQUENCY: 455 kc.
POWER SUPPLY: 60 cycle a.c. only.
VOLTAGE RATING: 110-120 volts.

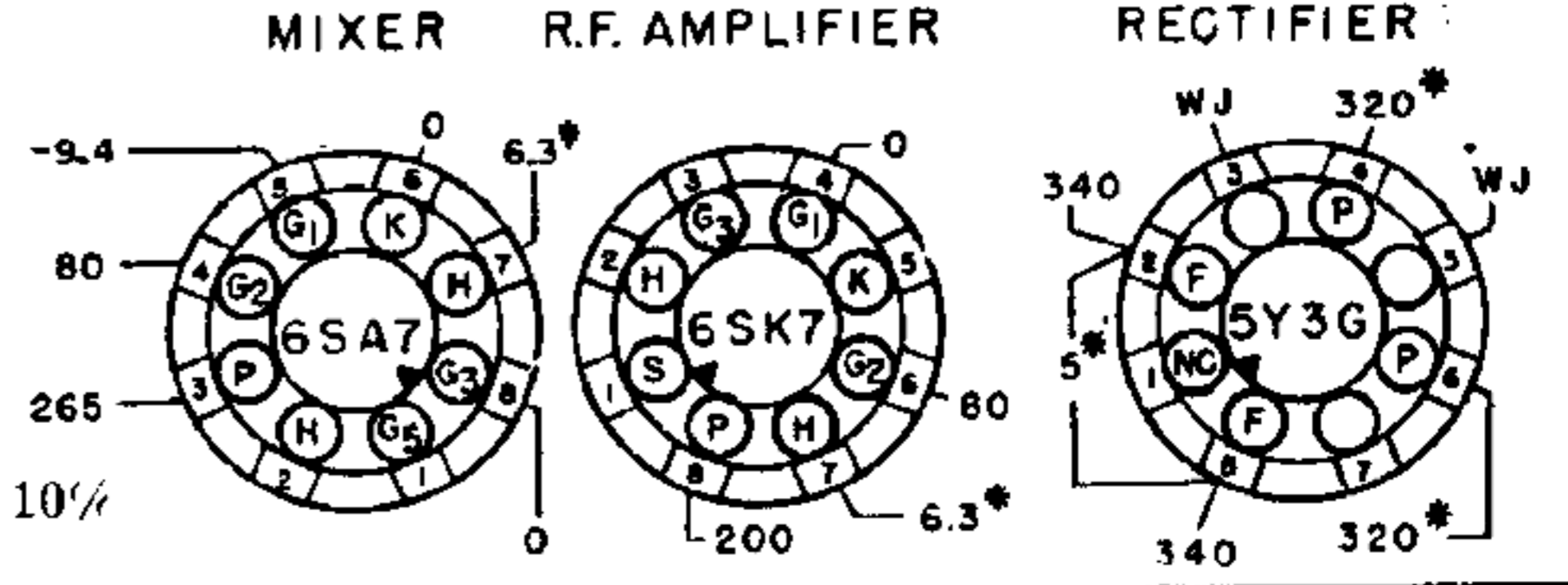
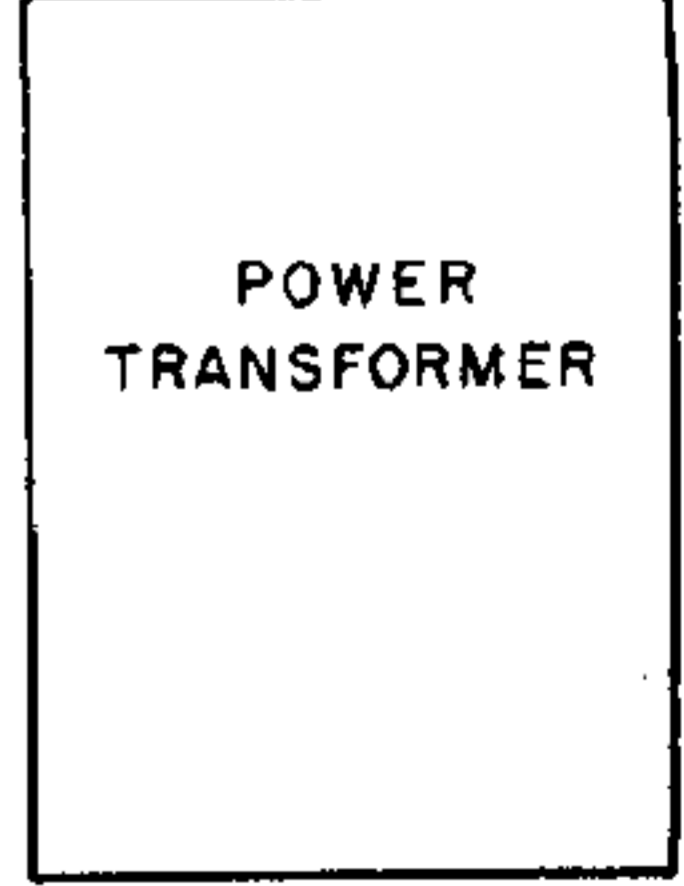
POWER CONSUMPTION: 60 watts maximum.
POWER OUTPUT: 4.5 watts minimum.
VOLTAGE DROP ACROSS SPEAKER FIELD: 76 volts.
RESISTANCE OF SPEAKER FIELD: 900 ohms.
DIAL BULB: Type 51, 7.5 volts, 0.2 amp.

September, 1945



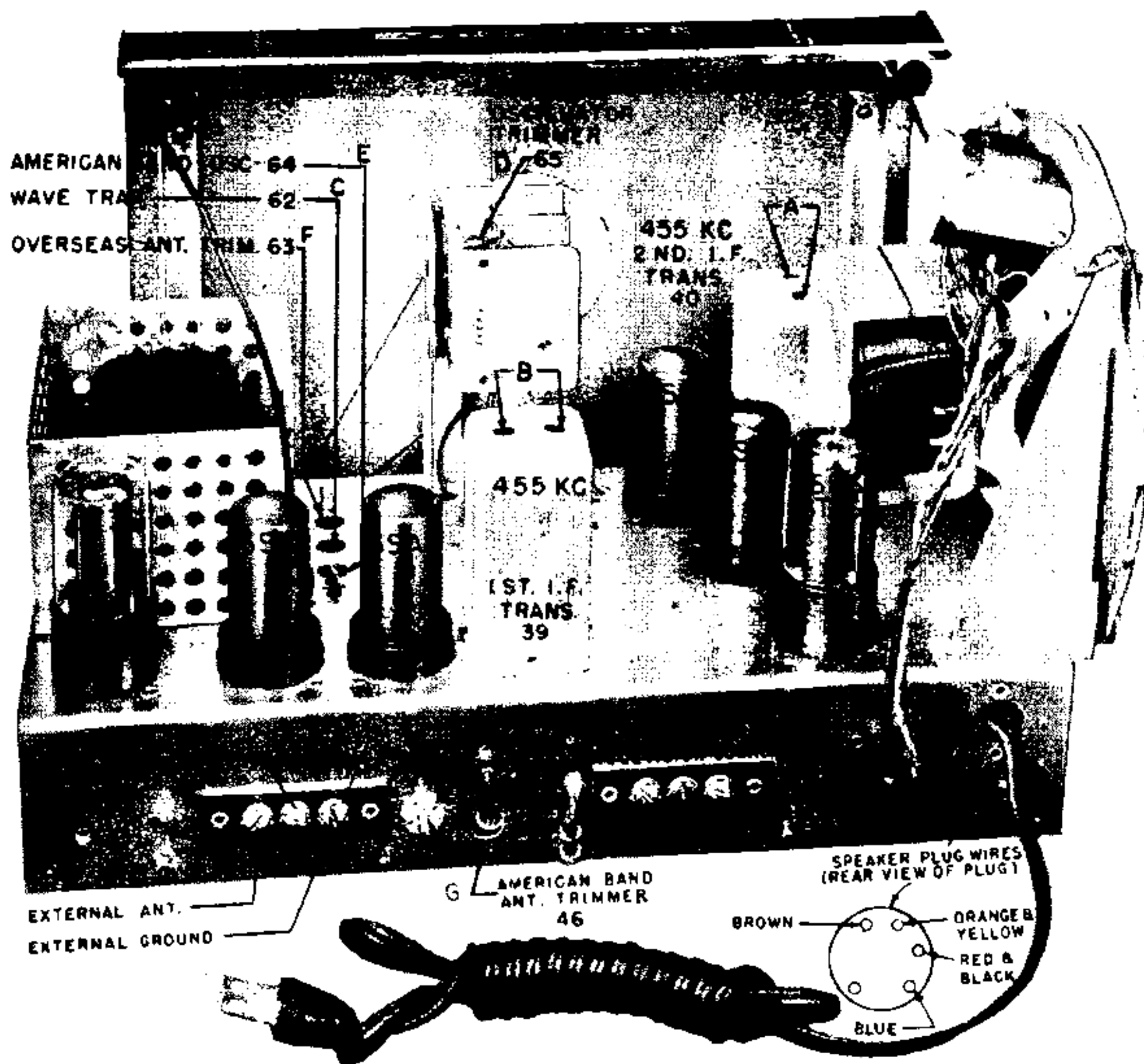
Socket Voltage Tolerance: 10%

- NOTES :-
1. THESE ARE BOTTOM VIEWS OF SOCKETS.
 2. MEASURE VOLTAGES FROM SOCKET LUG TO CHASSIS.
 3. THESE VOLTAGES MEASURED USING AN ELECTRONIC VOLTMETER.
 4. WJ - WIRING JUNCTION.
 5. NC - NO CONNECTION.
 6. * - 60 CYCLE AC VOLTAGE.



MODELS 66TA, 66TC, 66TW

THE CROSLEY CORP.



CHASSIS, REAR VIEW - MODELS 66TA, 66TW, 66TC

Alignment Sequence	Signal Generator Output			Position of		Adjust for Maximum Output
	Frequency in kc.	In Series with	To	Band Switch	Tuning Dial	
1	455	200 mmf	Ant.	A	1620	A & B
2	455	200 mmf.	Ant.	A	1620	C*
3	15,300	400 ohms	Ant.	O	15,300	D
4	15,000	400 ohms	Ant.	O	15,000	E
5	1620	200 mmf	Ant.	A	1620	F
6	1400	200 mmf	Ant.	A	1400	G
7	600	200 mmf	Ant.	A	600	H

*Adjust for minimum output (wavetrap).

NOTE: When aligning the short-wave oscillator trimmer (D), be sure that the circuit is aligned at the correct frequency and not at the image frequency which is 910 kilocycles lower as indicated by the receiver dial. To check: Tune in the generator frequency, then increase the generator output and tune in the image frequency. The image frequency should be weaker than the fundamental and audible 910 kilocycles lower on the receiver dial. If the image cannot be tuned in, the oscillator trimmer is adjusted to the wrong peak; i.e., the oscillator trimmer may be adjusted to the image or one of the harmonics instead of the fundamental frequency. The correct peak is the second one heard as the trimmer adjustment screw is opened from the completely closed position.

THE CROSLEY CORP. ALIGNMENT PROCEDURE

Turn the tuning capacitor to the completely closed position against the stop, and set the dial pointer to the reference line at the end of the dial scale.

Turn the tone control to the high or treble position.

Connect the output meter across the speaker voice coil.

The r.f. signal input from the signal generator should be connected to the external antenna post. Connect the signal generator ground to the chassis.

Turn the volume control on full, and adjust the signal generator output to produce approximately mid-scale deflection of the output meter, but maintain signal generator output as low as possible to prevent AVC action in the receiver.

CHASSIS PARTS

MECHANICAL PARTS

Item No.	Part No.	Description	Item No.	Part No.	Description
1	39281-16	Resistor, 3,300 Ohm, 1/2 W.		W-47577	Cable Lock Plate
2	39281-21	Resistor, 22,000 Ohm, 1/2 W.		AW-134807	Dial Face Assembly
3	39016-38	Resistor, 12,000 Ohm, 2 W.		W-51752	Dial Cord Spring
4	39281-33	Resistor, 2.2 Megohm, 1/2 W.		B-134571	Dial Pointer
5	39040-13	Resistor, 1,000 Ohm, 1 W.		G-39012-8	Iron Core
6	39281-33	Resistor, 2.2 Megohm, 1/2 W.		W-132366-2	Locking Nut
7	39281-28	Resistor, 330,000 Ohm, 1/2 W.		W-134667	Dial Pointer Clip
11	39281-23	Resistor, 47,000 Ohm, 1/2 W.		39017-3	Dial Light Socket
12	39281-29	Resistor, 470,000 Ohm, 1/2 W.		G-39204	Tube Socket
14	39015-19	Resistor, 330 Ohm, 1 W.		39196-29	Screw, Dial Mounting
15	39281-22	Resistor, 33,000 Ohm, 1/2 W.		W-46662	Pinut 3/8-32
16	39281-35	Resistor, 4.7 Megohm, 1/2 W.		W-134055	Grommet
17	39281-21	Resistor, 22,000 Ohm, 1/2 W.		B-134896	Transformer Shield
18	39281-25	Resistor, 100,000 Ohm, 1/2 W.		W-134917	Drive Shaft
19	39004-9	Condenser, 220 mmf., Mica		W-51071	Retaining Ring
20	39004-9	Condenser, 220 mmf., Mica		W-134916	Spring Washer
21	39001-41	Condenser, .05 mfd., 400 V., Paper			
22	39004-9	Condenser, 220 mmf., Mica			
23	39001-65	Condenser, .05 mfd., 200 V., Paper			
24	39004-5	Condenser, 50 mmf., Mica			
25	39001-11	Condenser, .005 mfd., 600 V., Paper			
26	39001-37	Condenser, .01 mfd., 400 V., Paper			
27	39004-9	Condenser, 220 mmf., Mica			
30	39001-11	Condenser, .005 mfd., 600 V., Paper			
32	W-30805	Condenser, .01 mfd., 400 V., Paper			
33	39001-11	Condenser, .005 mfd., 600 V., Paper			
34	39001-61	Condenser, .01 mfd., 200 V., Paper			
35	39004-5	Condenser, 50 mmf., Mica			
36	GC-210685-143	Condenser, 580 mmf., Mica			
37A	B-134995	Variable Condenser		R-134592	Plastic Cabinet - Brown (66TA)
37B		Variable Condenser		AW-134737	Plastic Cabinet - Ivory (66TW)
38A	D-132807	Condenser, 20 mfd., 360 W.V.)		R-135025	Wood Cabinet (66TC)
38B		Condenser, 20 mfd., 275 W.V.)	Four	AC-134673	Antenna Loop and Back Assembly (66TA, 66TW)
38C		Condenser, 20 mfd., 245 W.V.)	Section		
38D		Condenser, 20 mfd., 25 W.V.)	Elect. Filter	AC-134672	Antenna Loop and Back Assembly (66TC)
39	AW-134065	1st I. F. Coil Assembly		C-132688	Dial Lens (66TA, 66TW, 66TC)
40	AW-134158	2nd I. F. Coil Assembly		W-132709	Grille Cloth (66TA)
41	B-134625	Power Transformer		W-132766	Grille Cloth (66TW)
42	W-43567	Dial Light, Type 51, 7.5 V., 0.2 Amp.		W-130197	Knob (66TA, 66TC)
43	W-43567	Dial Light, Type 51, 7.5 V., 0.2 Amp.		W-134635	Knob (66TW)
44	B-135651	Tone Control, 3 Megohm		W-136630	Trimount Stud (66TA, 66TW)
45	B-135859	Volume Control (1 Megohm) and Switch		W-132124	Trimount Stud (66TA, 66TW)
46	W-132267-1	Condenser (Trimmer)		39220-38	Screw Mounting - 8 x 1 1/4 Hex. Hd. (66TA, 66TW, 66TC)
47	B-132300-1	Cable and Plug		W-45580	Rubber Mounting (66TC)
48	39019-3	Terminal Board Assembly		W-133584	Rubber Washer (66TA, 66TW Chassis Mtg.)
49	39019-3	Terminal Board Assembly			
51	W-134968-1	Speaker Socket			
52A	B-134639	Two Section Band			
52B		Change Switch			
53	AW-135907	R. F. Coil Assembly			
54	AW-135908	Oscillator Coil Assembly			
55	AW-135909	Antenna Coil Assembly			
56	C-135874	Speaker			
57	AW-135910	Antenna Loading Coil Assembly			
62	B-132386-7	Three Section			
63		Trimmer			
64		Condenser			

CABINET PARTS

Figures in first column correspond to figures in Schematic Diagram