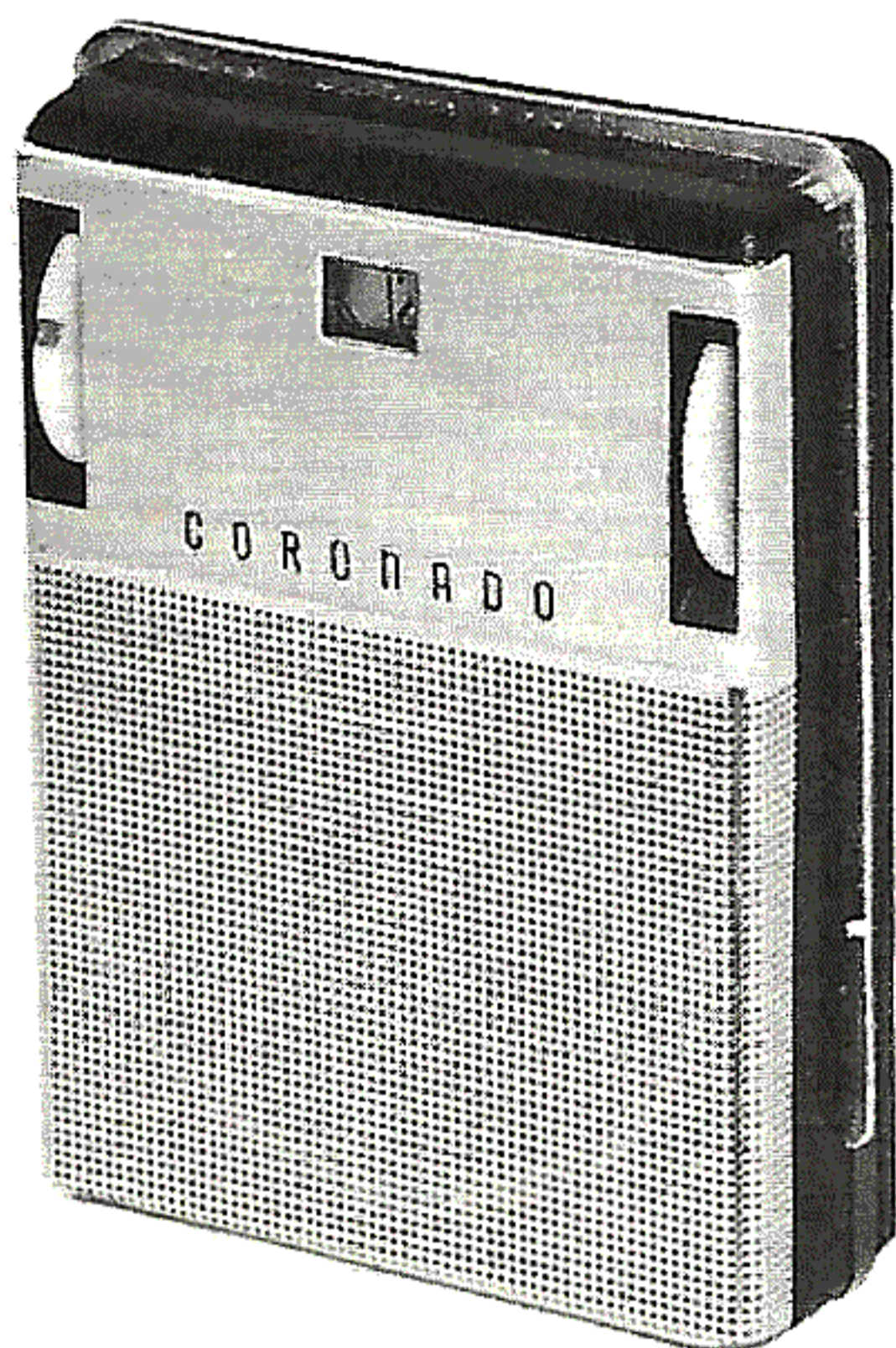


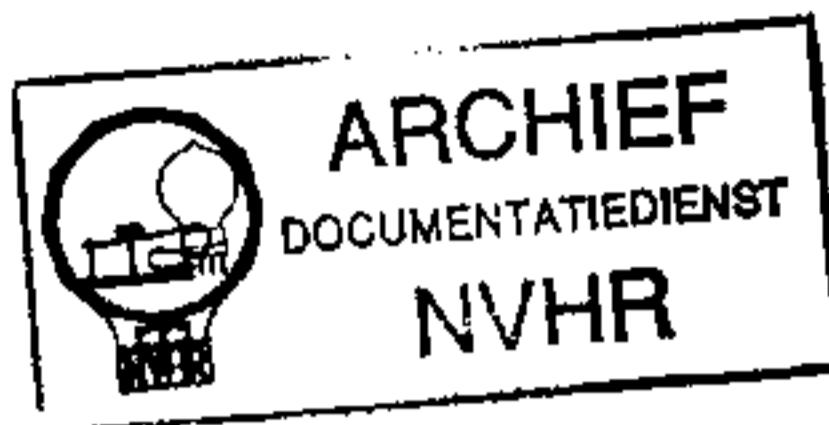
PHOTOFACT® Folder

with CIRCUITRACE®

CORONADO MODEL RA60-9899A



Ned. Ver. v. Historie v/d Radio



Met dank aan Jef Bos

TRADE NAME	Coronado Model RA60-9899A		
SUPPLIER	Gamble-Skogmo, Inc., 15 N. Eighth Street, Minneapolis 3, Minn.		
TYPE SET	Battery Operated Transistorized Portable AM Receiver		
POWER SUPPLY	4.2 Volts DC	RATING	7MA @ 4.2 Volts DC (No Signal, Min. Volume)
TUNING RANGE—BROADCAST	540 — 1640KC		13MA @ 4.2 Volts DC (Signal, Normal Volume)

ALIGNMENT INSTRUCTIONS

ALIGNMENT INSTRUCTIONS—READ CAREFULLY BEFORE ATTEMPTING ALIGNMENT

Volume control should be at maximum position. Output of signal generator should be no higher than necessary to obtain an output reading.

Suggested Alignment Tools:

A1, A2, A3.....GENERAL CEMENT #8607, 9291, 9294
 WALSCO #2520, 2522, 2523, 2524, 2534, 2537

A4, A6.....GENERAL CEMENT #5000, 5003, 5066, 8276, 8290, 9087, 9089
 WALSCO #2512, 2525, 2528

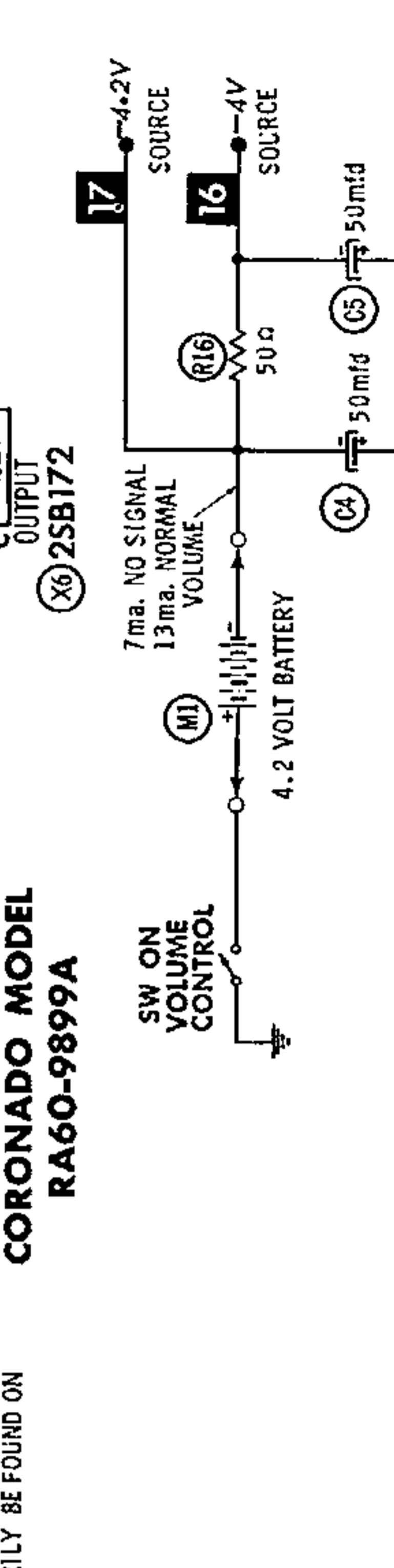
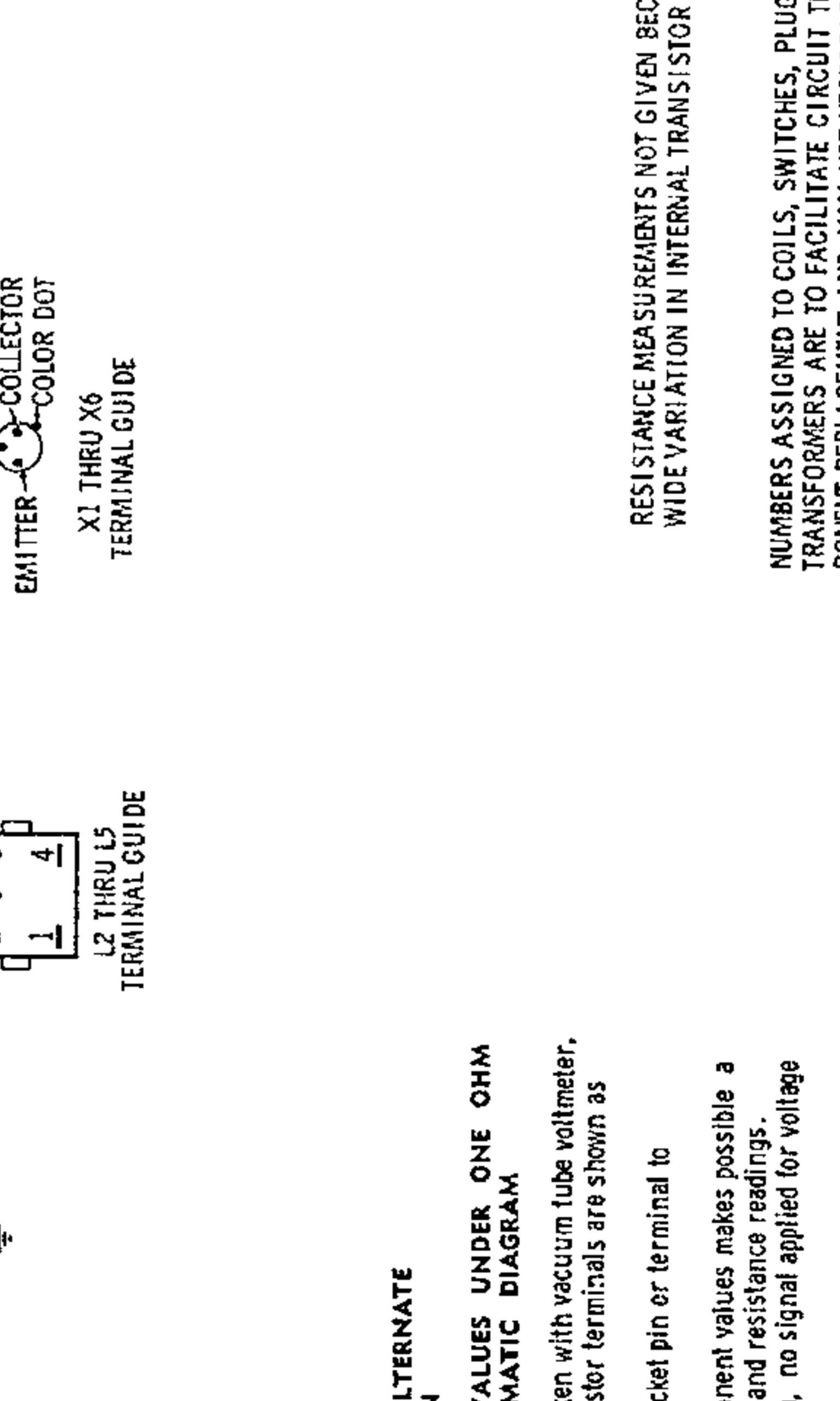
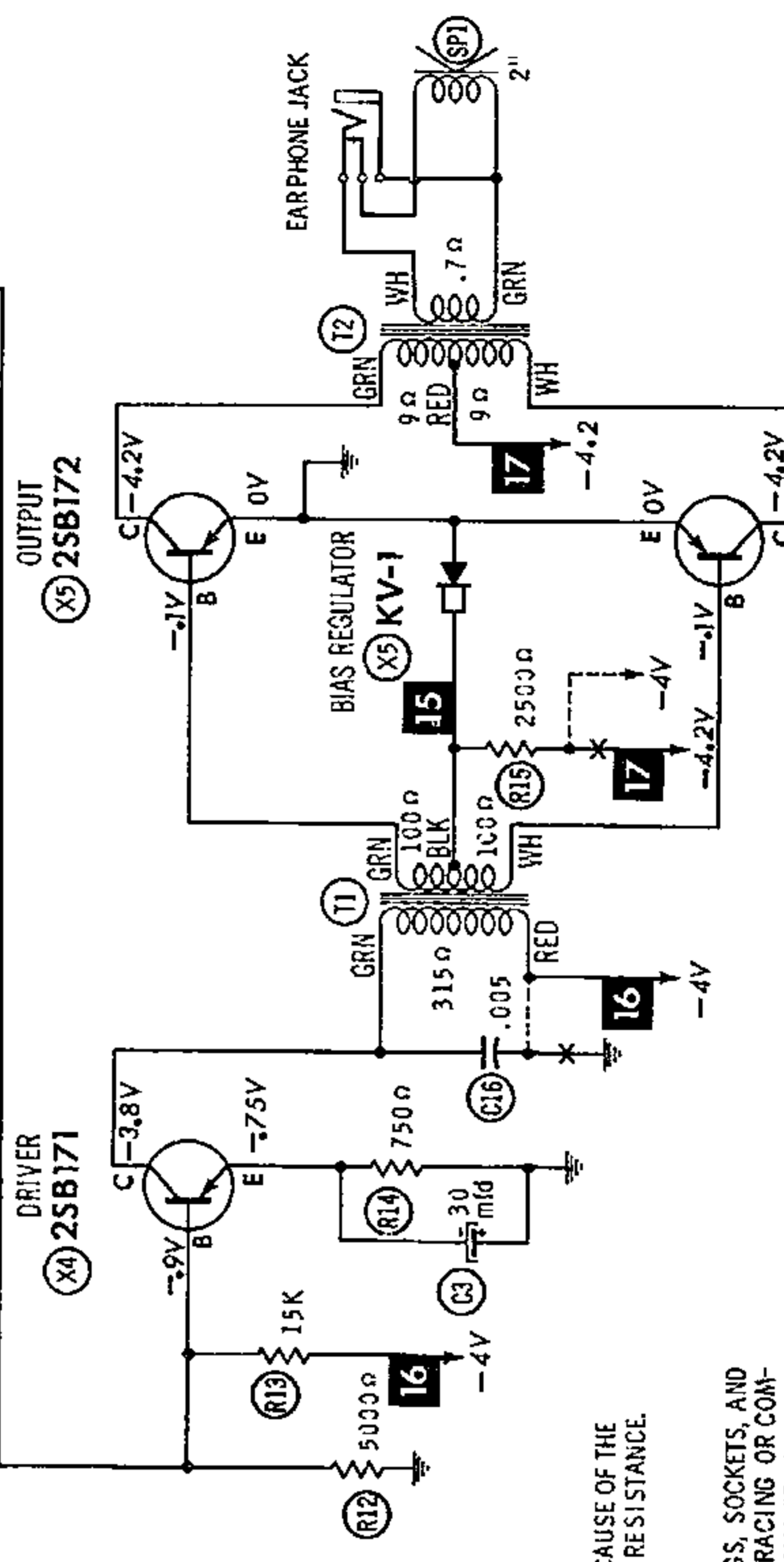
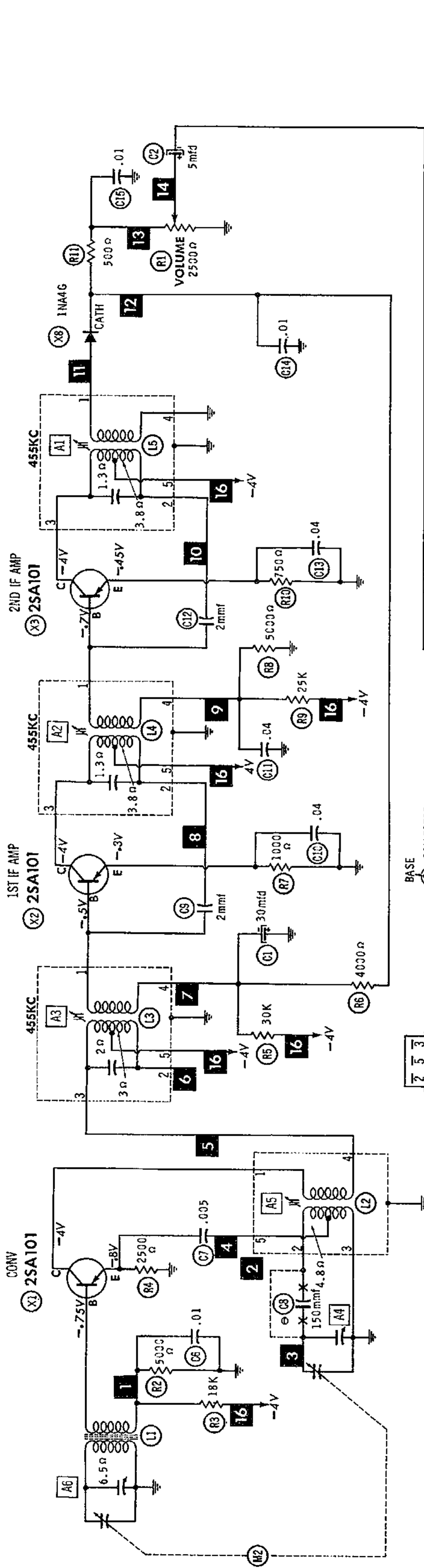
A5.....GENERAL CEMENT #5009, 8195, 8274, 8275, 8728, 8729, 8987, 8988, 8989
 WALSCO #2515, 2531, 2532

SIGNAL GENERATOR COUPLING	SIGNAL GENERATOR FREQUENCY	RADIO DIAL SETTING	OUTPUT METER	ADJUST	REMARKS
Fashion loop of several turns of wire and radiate signal into loop of receiver.	455KC (400% Mod.)	Tuning gang fully open.	Across voice coil.	A1, A2, A3	Adjust for maximum output.
"	1600KC	1600KC	"	A4	"
"	600KC	600KC	"	A5	Adjust for maximum output while rocking tuning gang.
"	1400KC	1400KC Signal.	"	A6	Adjust for maximum output. Repeat steps 2, 3 and 4.

HOWARD W. SAMS & CO., INC. Indianapolis 6, Indiana

The listing of any available replacement part herein does not constitute in any case a recommendation, warranty or guaranty by Howard W. Sams & Co., Inc., as to the quality and suitability of such replacement part. The numbers of these parts have been compiled from information furnished to Howard W. Sams & Co., Inc., by the manufacturers of LF208

the particular type of replacement part listed. Reproduction or use, without express permission, of editorial or pictorial content, in any manner, is prohibited. No patent liability is assumed with respect to the use of the information contained herein. © 1962 Howard W. Sams & Co., Inc., Indianapolis 6, Indiana. Printed in U.S. of America



**CORONADO MODEL
RA60-9899A**

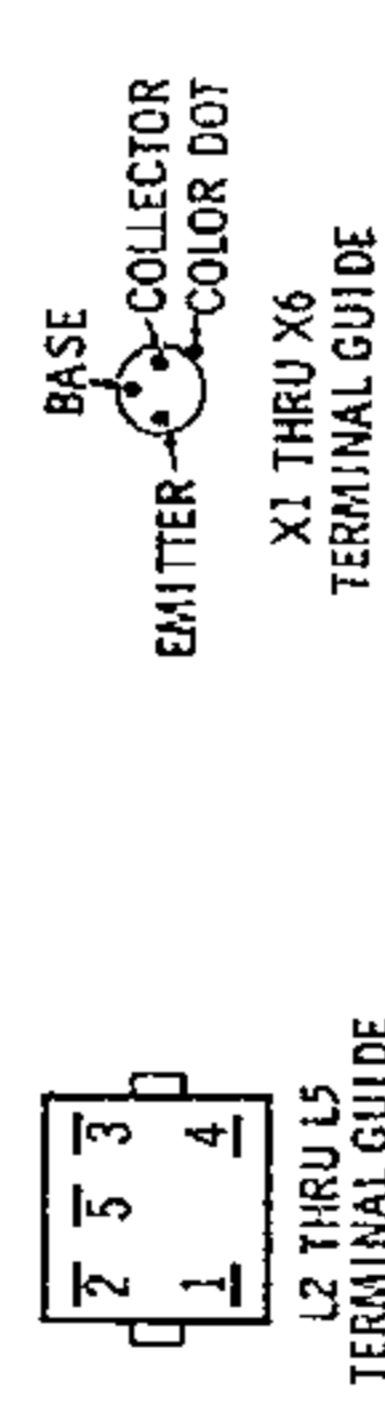
- SEE PARTS LIST FOR ALTERNATE VALUE OR APPLICATION
- DC COIL RESISTANCE VALUES UNDER ONE OHM NOT SHOWN ON SCHEMATIC DIAGRAM.
1. DC voltage measurements taken with vacuum tube voltmeter.
 2. Socket connections or transistor terminals are shown as bottom views.
 3. Measured values are from socket pin or terminal to common ground.
 4. Nominal tolerance on component values makes possible a variation of ±15% in voltage and resistance readings.
 5. Volume control at maximum, no signal applied for voltage measurements.

A PHOTOFAC STANDARD NOTATION SCHEMATIC with **CIRCUITAGE**

© Howard W. Sams & Co., Inc. 1962

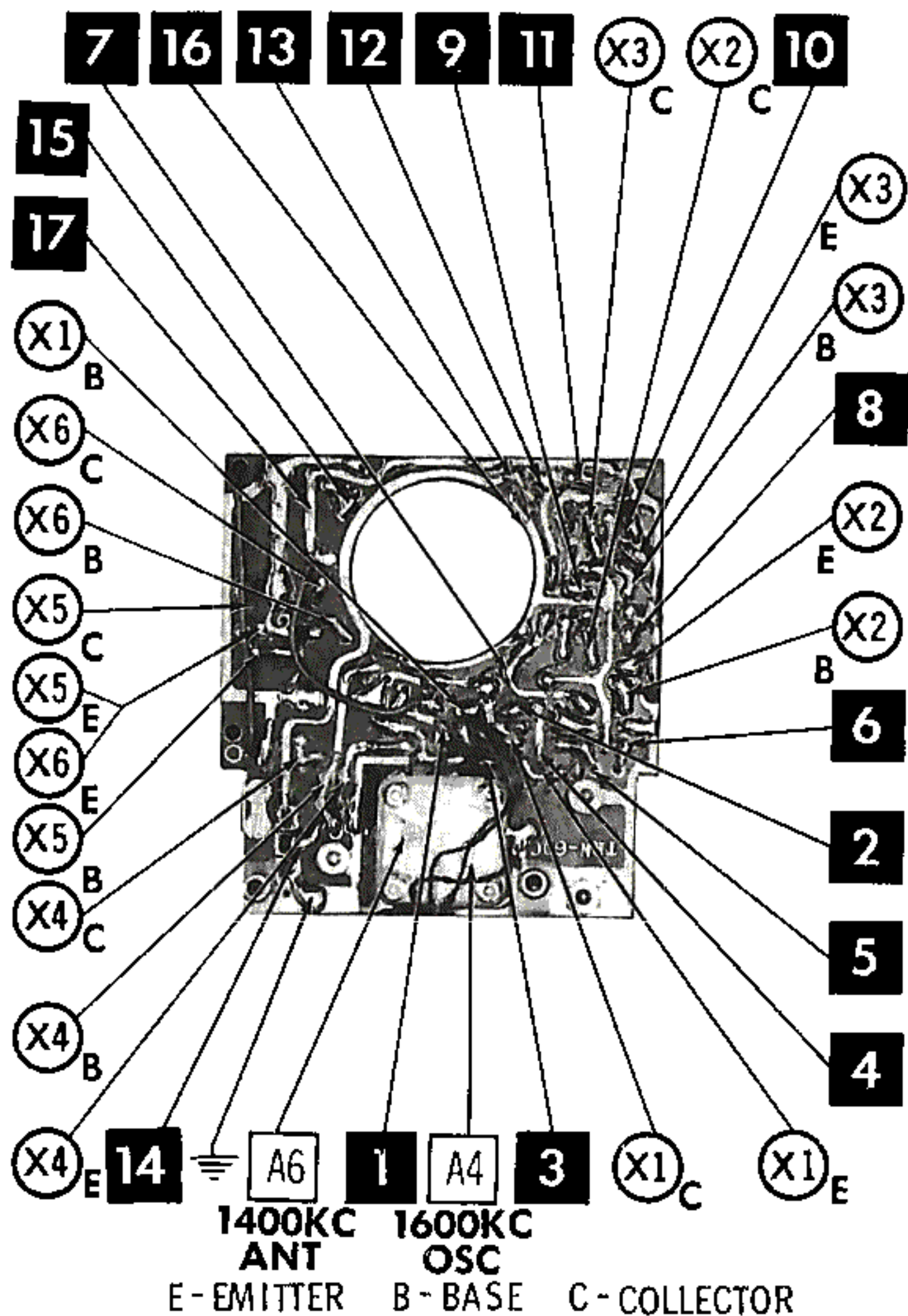
RESISTANCE MEASUREMENTS NOT GIVEN BECAUSE OF THE WIDE VARIATION IN INTERNAL TRANSISTOR RESISTANCE.

NUMBERS ASSIGNED TO COILS, SWITCHES, PLUGS, SOCKETS, AND TRANSFORMERS ARE TO FACILITATE CIRCUIT TRACING OR COMPONENT REPLACEMENT AND MAY NOT NECESSARILY BE FOUND ON THE UNIT.



PRINTED BOARD

A Howard W. Sams **CIRCUITRACE** Photo



PARTS LIST AND DESCRIPTIONS (Continued)

COILS (RF-IF)

ITEM No.	USE	REPLACEMENT DATA					NOTES
		CORONADO PART No.	Merit PART No.	Miller PART No.	Stancor PART No.	Workman TV PART No.	
L1	Loopstick Osc. 1st IF 2nd IF 3rd IF	C-AL					
L2		C-OC					
L3		C-IT					
L4		C-MT					
L5		C-OT					

TRANSFORMER (DRIVER)

ITEM No.	TURNS RATIO		REPLACEMENT DATA					NOTES
			CORONADO PART No.	Merit PART No.	Stancor PART No.	Thordarson PART No.	Triad PART No.	
	PRI.	SEC.						
T1	1	1	C-TD					

TRANSFORMER (AUDIO OUTPUT)

ITEM No.	IMPEDANCE		REPLACEMENT DATA					NOTES
	PRI.	SEC.	CORONADO PART No.	Merit PART No.	Stancor PART No.	Thordarson PART No.	Triad PART No.	
T2	200Ω CT	6-8Ω	C-TO					

SPEAKER

ITEM No.	TYPE			REPLACEMENT DATA		NOTES
	SIZE	FIELD	V. C. IMP.	CORONADO PART No.	QUAM PART No.	
SP1	2"	PM	6-8Ω	C-SP		

BATTERIES

ITEM No.	VOLTAGE	CORONADO PART No.	REPLACEMENT DATA						NOTES
			BURGESS		EVEREADY		MALLORY		
			"A"	"B"	"A"	"B"	"A"	"B"	
M1	4.2V	17-336		H133		E133		TR-133	

MISCELLANEOUS

ITEM No.	PART NAME	CORONADO PART No.	NOTES
M2	Tuning Cap.	C-PZ-2Z	2 Gang

CABINETS & CABINET PARTS

(When Ordering Cabinets & Cabinet Parts, Specify Model, Chassis & Color)

NAME	PART NO.	DESCRIPTION
Knob, Volume	C-VK	With Dial
Knob, Tuning	C-TK	
Shaft, Tuning	C-TS	
Case Front	CF	Leather
Case Rear	CB	
Case	C-LC	
Earphone	C-EP	

WIRING DATA

General-use Unshielded Hook-up Wire	Use BELDEN No. 8530 (Solid 22AWG) 8524 (Stranded 22AWG) 8570 (Stranded 28AWG)	Available in 12 Colors
---	---	------------------------------

CHASSIS—TOP VIEW

