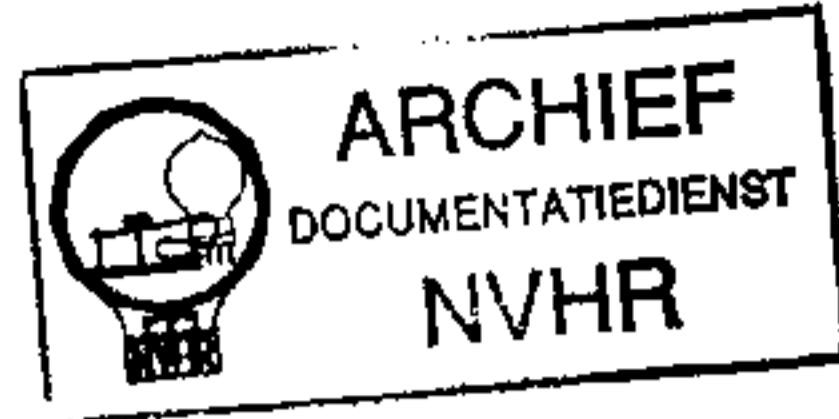


PHOTOFACT® Folder

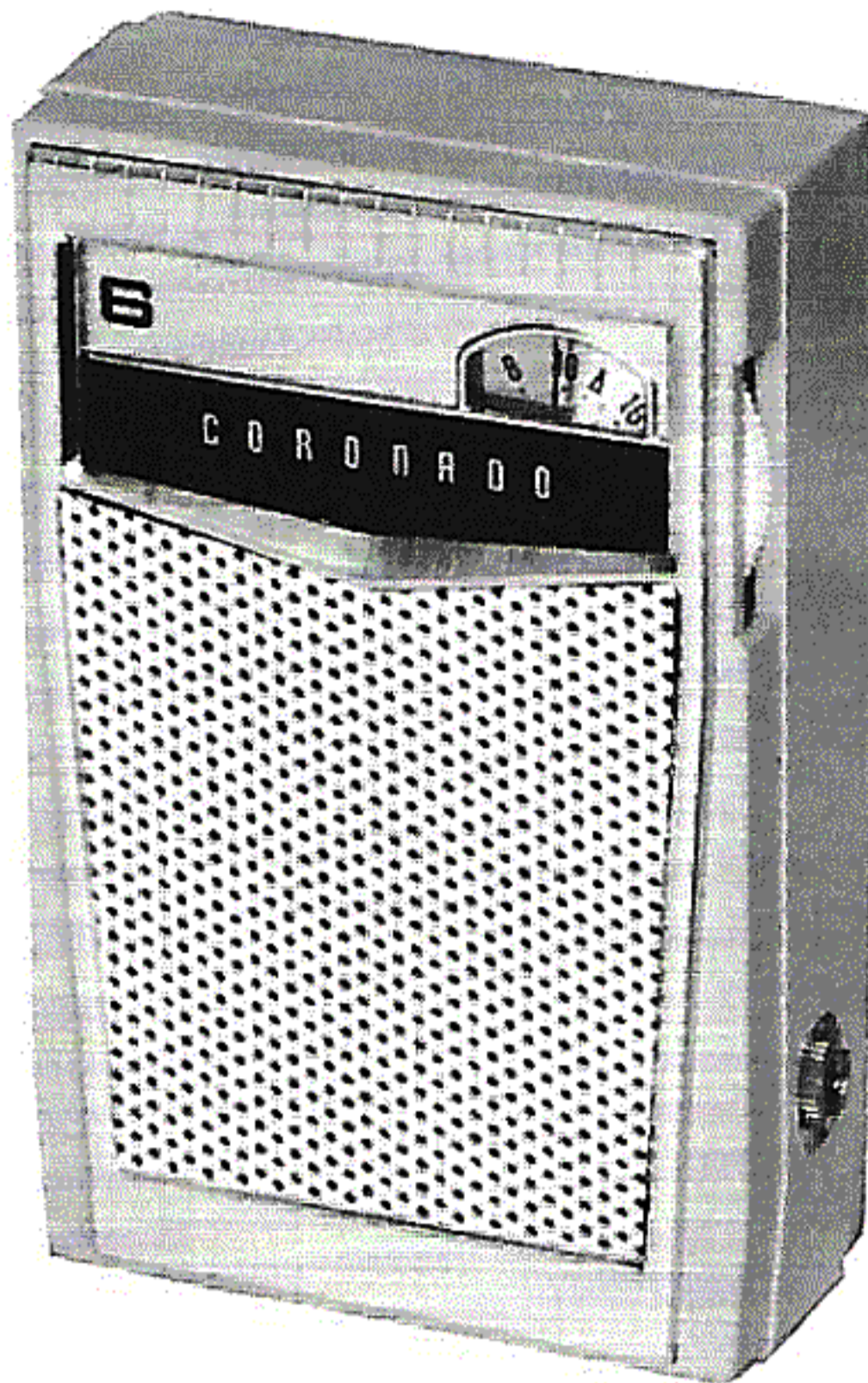
with **CIRCUITRACE®**

**CORONADO
MODEL RA44-9914A**

Ned. Ver. v. Historie v/d Radio



Met dank aan Jef Bos



TRADE NAME	Coronado, Model RA44-9914A (Ch. 60N65-04)		
SUPPLIER	Gamble-Skogmo, Inc., 15 North Eighth St., Minneapolis 3, Minnesota		
TYPE SET	Battery Operated Transistorized Portable AM Receiver		
POWER SUPPLY	9 Volts DC	RATING	8MA(a, 9 Volts DC (No Signal, Min. Volume)
TUNING RANGE—BROADCAST	540 — 1670KC		15MA(a, 9 Volts DC (Signal, Normal Volume)

ALIGNMENT INSTRUCTIONS

ALIGNMENT INSTRUCTIONS—READ CAREFULLY BEFORE ATTEMPTING ALIGNMENT

Volume control should be at maximum position. Output of signal generator should be no higher than necessary to obtain an output reading.

Suggested Alignment Tools:

A1, A2, A3, A5..... GENERAL CEMENT #9440

A4, A6..... GENERAL CEMENT #5009, 8195, 8274, 8275, 8728, 8729, 8987, 8988, 8989

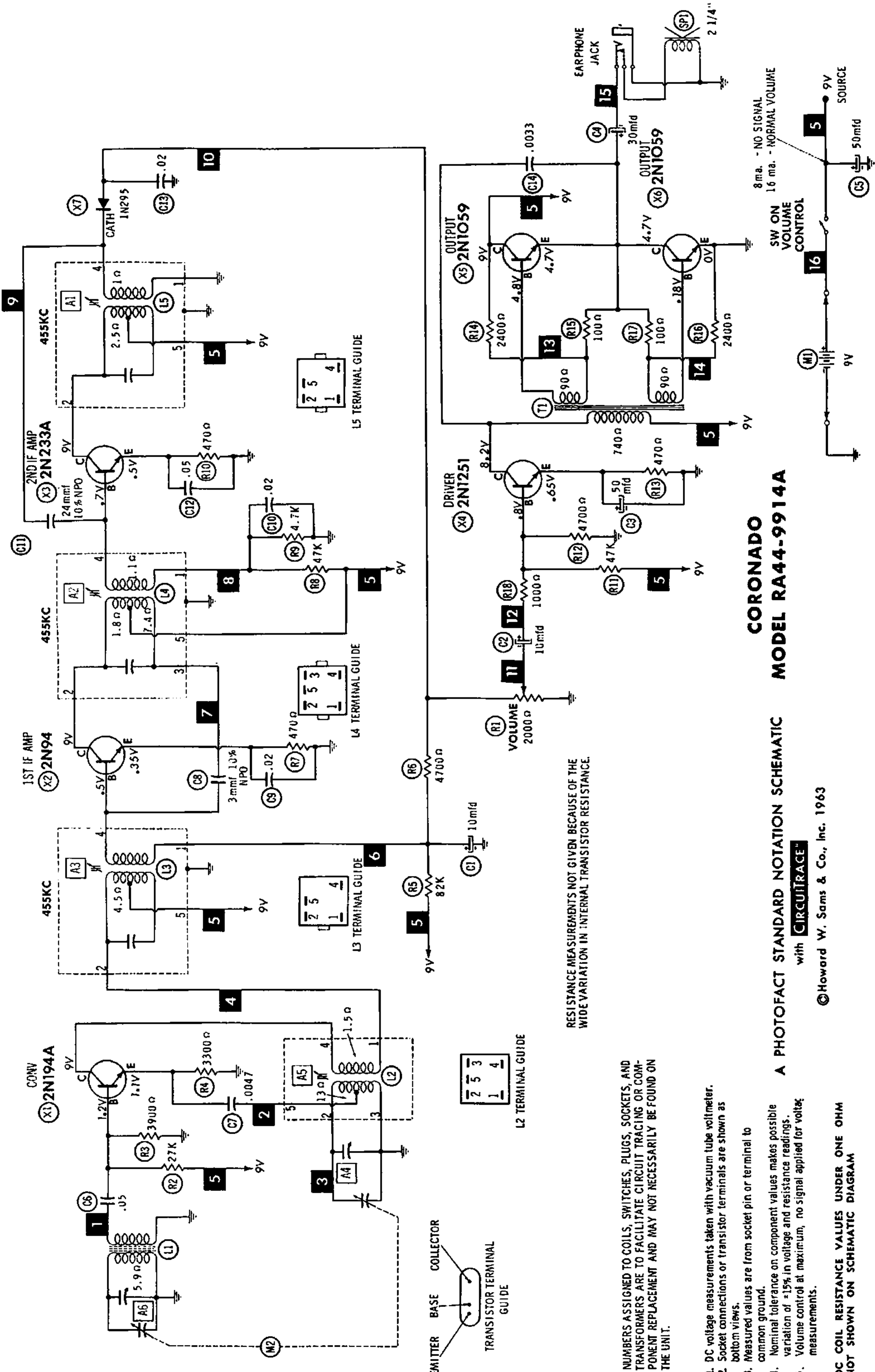
WALSCO #2515, 2531, 2532

	SIGNAL GENERATOR COUPLING	SIGNAL GENERATOR FREQUENCY	RADIO DIAL SETTING	OUTPUT METER	ADJUST	REMARKS
1.	High side to antenna stator lug of tuning gang. Low side to chassis.	455KC (400% Mod.)	Tuning gang fully open.	Across voice coil.	A1, A2, A3	Adjust for maximum output.
2.	Fashion loop of several turns of wire and radiate signal into loop of receiver.	1670KC	"	"	A4	"
3.	"	600KC	600KC	"	A5	Adjust for maximum output while rocking tuning gang.
4.	"	1400KC	1400KC Signal.	"	A6	Adjust for maximum output. Repeat Steps 2, 3 and 4.

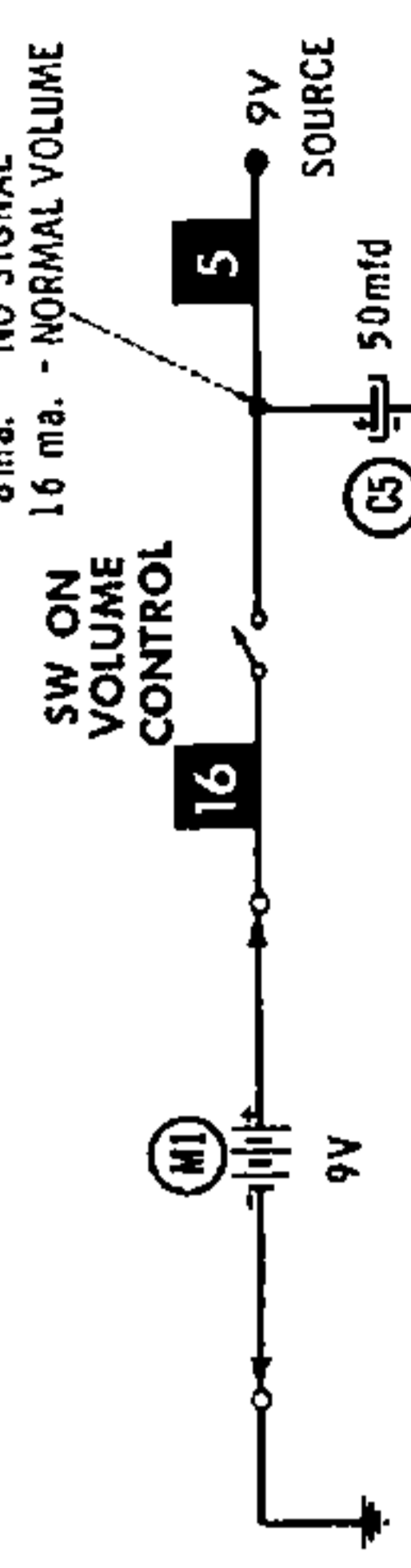
HOWARD W. SAMS & CO., INC. Indianapolis 6, Indiana

The listing of any available replacement part herein does not constitute in any case a recommendation, warranty or guaranty by Howard W. Sams & Co., Inc., as to the quality and suitability of such replacement part. The numbers of these parts have been compiled from information furnished to Howard W. Sams & Co., Inc., by the manufacturers of LF159.

the particular type of replacement part listed. Reproduction or use, without express permission, of editorial or pictorial content, in any manner, is prohibited. No patent liability is assumed with respect to the use of the information contained herein. © 1963 Howard W. Sams & Co., Inc., Indianapolis 6, Indiana. Printed in U.S. of America



CORONADO
MODEL RA44-9914A



RESISTANCE MEASUREMENTS NOT GIVEN BECAUSE OF THE WIDE VARIATION IN INTERNAL TRANSISTOR RESISTANCE.

NUMBERS ASSIGNED TO COILS, SWITCHES, PLUGS, SOCKETS, AND TRANSFORMERS ARE TO FACILITATE CIRCUIT TRACING OR COMPONENT REPLACEMENT AND MAY NOT NECESSARILY BE FOUND ON THE UNIT.

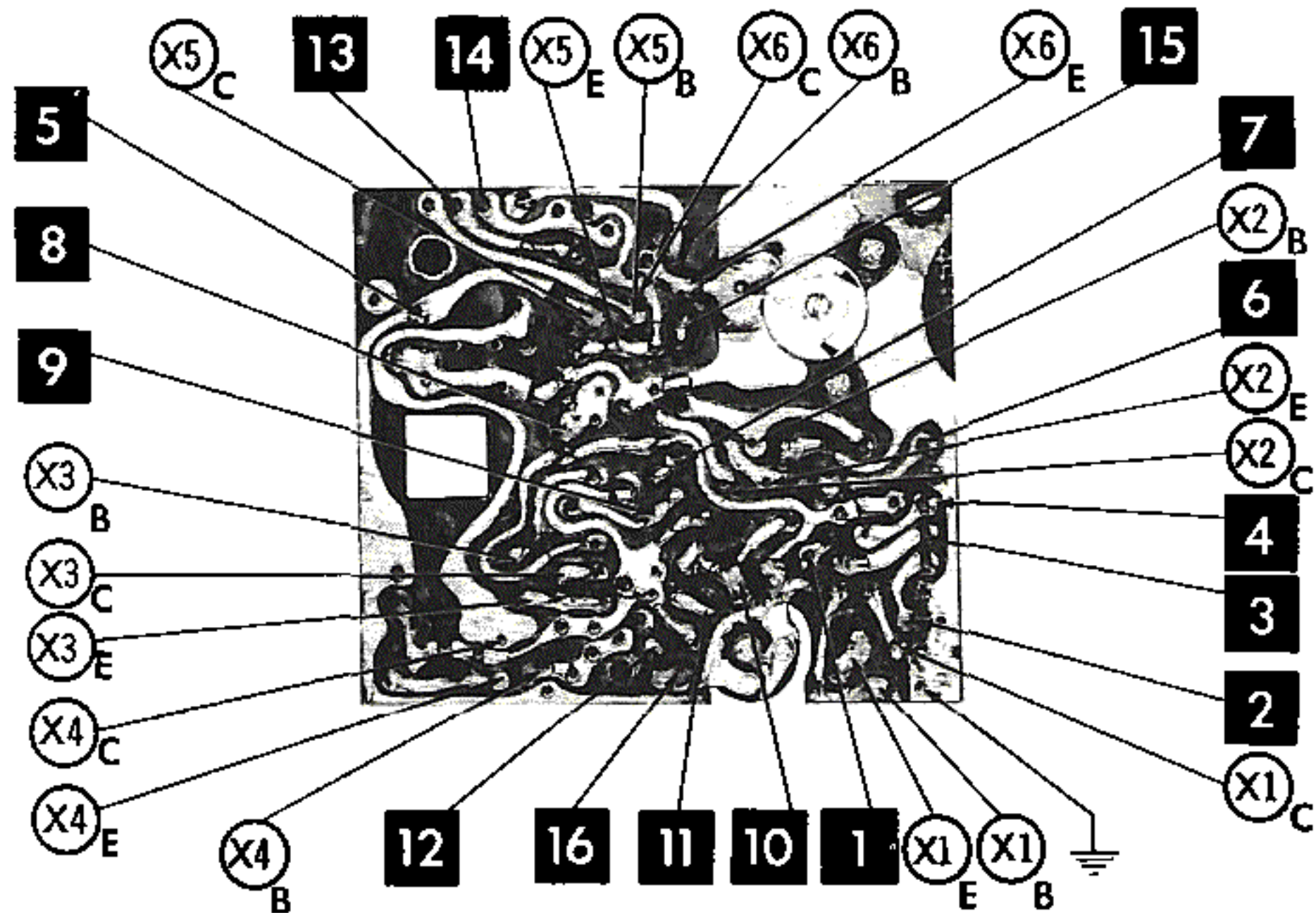
1. DC voltage measurements taken with vacuum tube voltmeter.
2. Socket connections or transistor terminals are shown as bottom views.
3. Measured values are from socket pin or terminal to common ground.
4. Nominal tolerance on component values makes possible variation of ±15% in voltage and resistance readings.
5. Volume control at maximum, no signal applied for voltage measurements.

DC COIL RESISTANCE VALUES UNDER ONE OHM NOT SHOWN ON SCHEMATIC DIAGRAM

©Howard W. Sams & Co., Inc. 1963

PRINTED BOARD

A Howard W. Burns **CIRCUITRY** Picture



B - BASE C - COLLECTOR E - EMITTER

PARTS LIST AND DESCRIPTIONS (Continued)

COILS (RF-IF)

ITEM No.	USE	REPLACEMENT DATA					NOTES
		CORONADO PART No.	Merit PART No.	Miller PART No.	Stancor PART No.	Workman TV PART No.	
L1	Loopstick	44511-10					
L2	Osc.	49382-2					
L3	1st IF	49388-10					
L4	2nd IF	49388-20					
L5	3rd IF	49388-30					

TRANSFORMER (DRIVER)

ITEM No.	TURNS RATIO		REPLACEMENT DATA					NOTES
			CORONADO PART No.	Merit PART No.	Stancor PART No.	Thordarson PART No.	Triad PART No.	
	PRI.	SEC.1						
T1	3.8	1	45604-8					
		SEC. 2						
		1						

SPEAKER

ITEM No.	TYPE			REPLACEMENT DATA		NOTES
	SIZE	FIELD	V. C. IMP.	CORONADO PART No.	QUAM PART No.	
SP1	2 1/4"	PM	90-110Ω	49506-1		

BATTERIES

ITEM No.	VOLTAGE	CORONADO PART No.	REPLACEMENT DATA						NOTES
			BURGESS		EVEREADY		MALLORY		
			"A"	"B"	"A"	"B"	"A"	"B"	
M1	9V			L6		206		M-1611	

MISCELLANEOUS

ITEM No.	PART NAME	CORONADO PART No.	NOTES
M2	Tuning Cap.	49494-1	2 Gang

CABINETS & CABINET PARTS

(When Ordering Cabinets & Cabinet Parts, Specify Model, Chassis & Color)

NAME	PART NO	DESCRIPTION
Knob	49472-67	Volume
Knob	48316-67	Tuning
Crystal	48354-5	Dial
Cabinet Front	49721-5	
Cabinet Back	49720-5	

WIRING DATA

General-use Unshielded Hook-up Wire Use BELDEN No. 8530 (Solid) Available in Ten Colors
8524 (Stranded) Available in Ten Colors

CHASSIS—TOP VIEW

