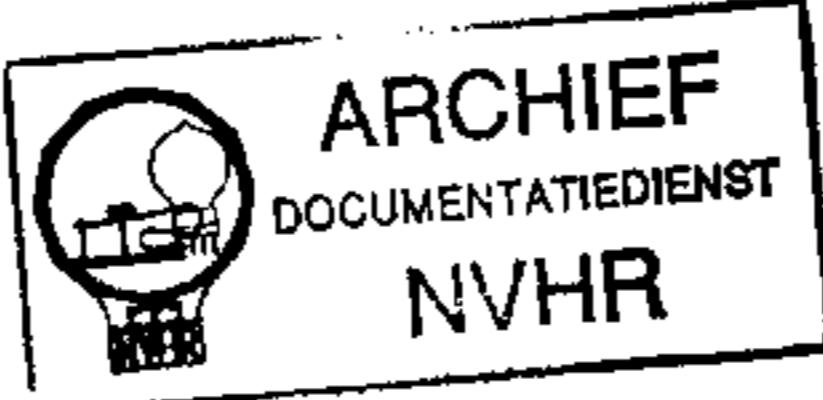
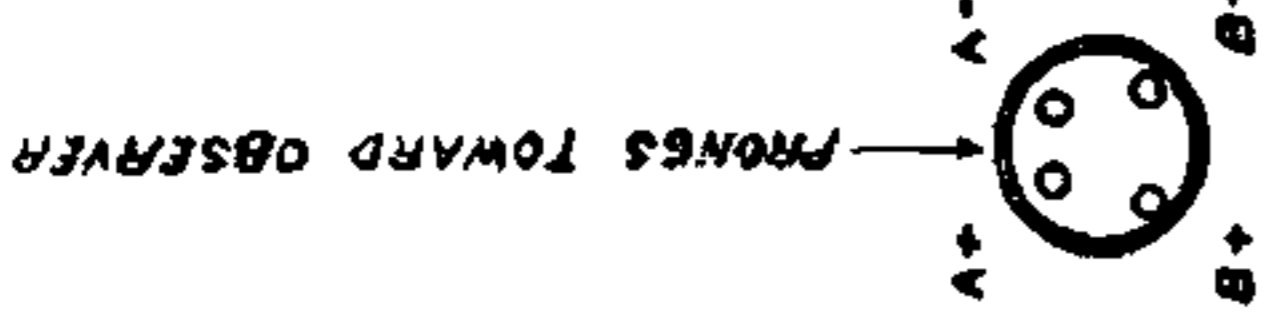
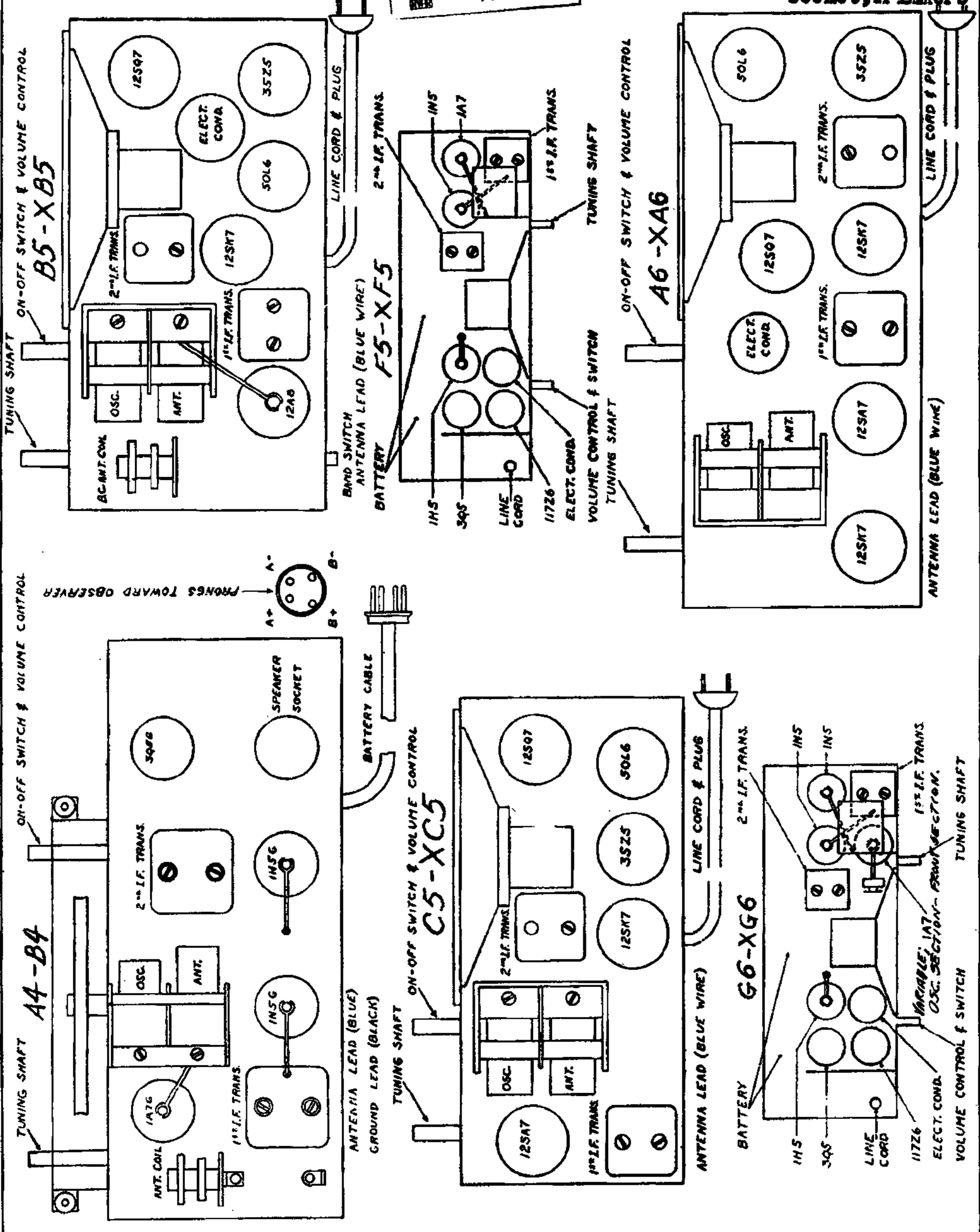


CONTINENTAL RADIO & TELEV. CORP.

Ned. Ver. v. Historie v/d Radio



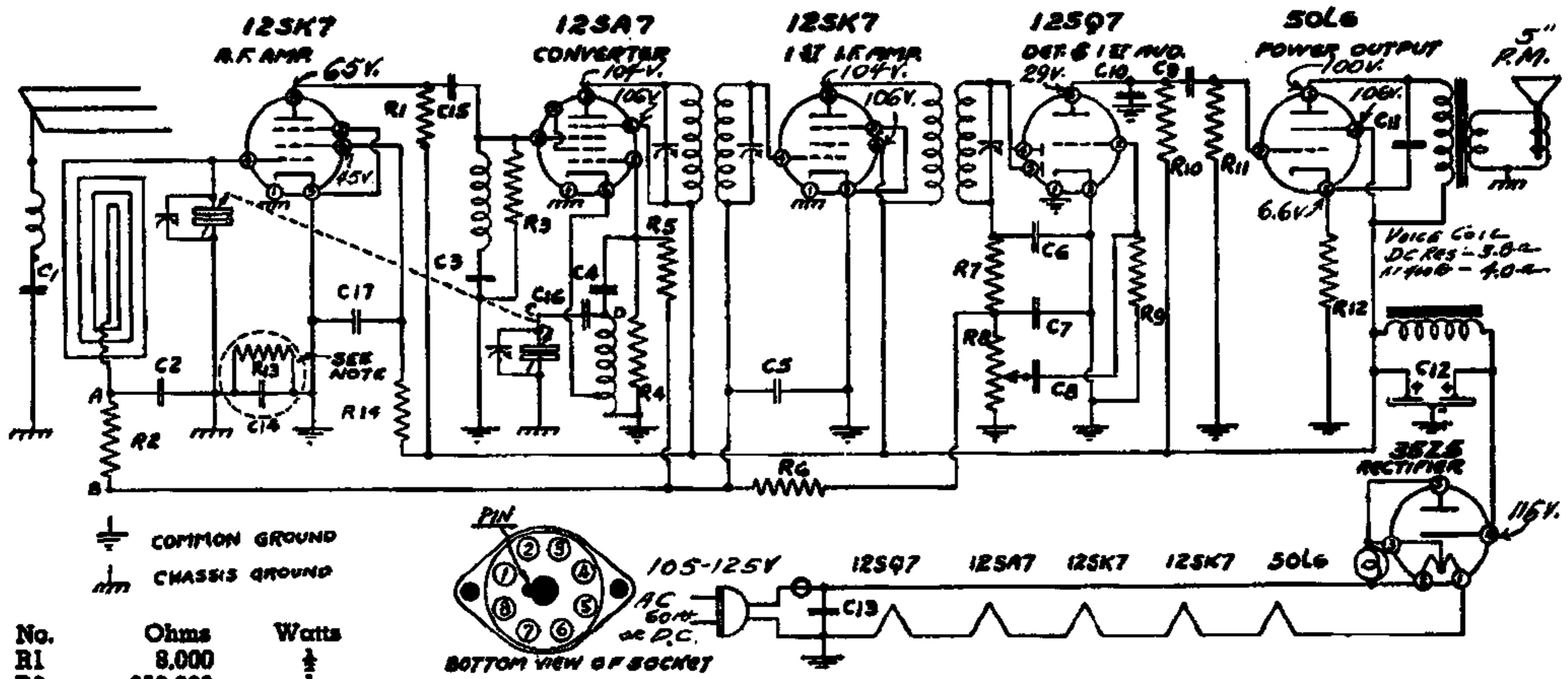
MODELS A4, B4
 MODELS B5, XB5
 MODELS C5, XC5
 MODELS F5, XF5
 MODELS G6, XG6
 MODELS A6, XA6
 Socket, Trimmers



Schematics, Voltage Alignment

CONTINENTAL RADIO & TELEV. CORP.

MODELS A6, XA6
MODELS G6, XG6



No.	Ohms	Watts
R1	8,000	
R2	250,000	
R3	250,000	
R4	20,000	
R5	15,000,000	
R6	2,000,000	
R7	50,000	
R8	500,000	V.C.
R9	5,000,000	
R10	250,000	
R11	500,000	
R12	200	10%
R13	150,000	
R14	40,000	

No.	Capacity	Voltage
C1	.001	600
C2	.05	200
C3	.000060-5%	Mica
C4	.00005	Mica
C5	.05	200
C6	.0001	Mica
C7	.00025	Mica
C8	.005	400
C9	.005	400
C10	.00025	Mica
C11	.01	400
C12	30-30 Elect.	150
C13	.05	400
C14	.25	200
C15	.00025	Mica
C16	.02	400
C17	.01	400

A6 & XA6

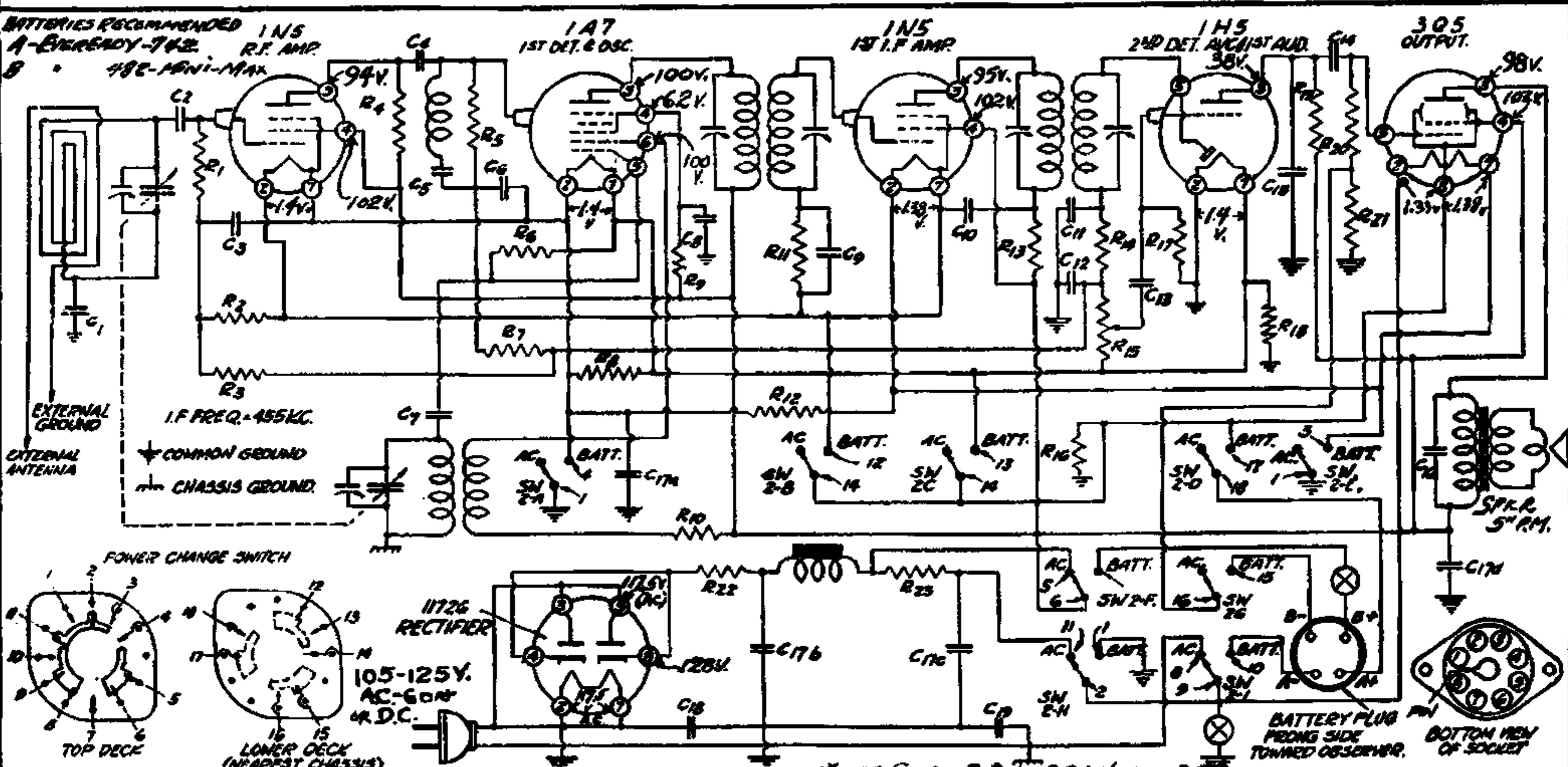
ISSUE A
JAN. 1940

VOLTAGES:- TAKEN FROM POINT INDICATED TO GROUND; LINE-115V. A.C.-VOL. CONTROL AT MAX.-METER-1000- μ PER VOLT;- PWR. CONSUMPTION 35W.

ALIGNMENT FREQ:-

I.F. - 455KC
B.C. - 1730KC-OSCILLATOR
1400KC-ANTENNA
(A6-CHASSIS GND-XA6 COMMON GND USE 1MRD GND)

In model A6 all common grounds become chassis grounds; C2, C14, C16, R2 and R13 are omitted and point A is connected to point B and point C is connected to point D.



No.	Ohms	Watts
R1	1,000,000	1/2
R2	5,000,000	1/2
R3	5,000,000	1/2
R4	10,000	1/2
R5	250,000	1/2
R6	200,000	1/2
R7	1,000,000	1/2
R8	300	1/2
R9	30,000	1/2
R10	500	1/2
R11	5,000,000	1/2
R12	700	1/2
R13	5,000	
R14	70,000	
R15	1,000,000	
R16	1,500	
R17	5,000,000	
R18	150	
R19	250,000	
R20	1,000,000	
R21	400	10%
R22	30	
R23	1,950	

No.	Capacity	Voltage
C1	.1	200
C2	.00025	Mica
C3	.01	200
C4	.00005	Mica
C5	.00006	Mica
C6	.01	200
C7	.00005	Mica
C8	.01	400
C9	.01	200
C10	.05	200
C11	.00005	Mica
C12	.00005	Mica
C13	.01	400
C14	.01	400
C15	.00025	Mica
C16	.002	400
C17a	40.	25
C17b	30.	150
C17c	40.	25
C17d	30.	150
C18	.05	400
C19	.25	200

VOLTAGES:- LINE AT 117.5V. (A.C.), VOL. CONTR. - MAX.; METER 1000- μ PER VOLT. P.C. - 25 WATTS; FROM ENR TO POINT IND.

ALIGNMENT FREQ:- (USE COMMON GND)
I.F. - 455KC
B.C. - 1550KC-OSCILLATOR
1400KC-ANTENNA

G6 & XG6

ISSUE A
FEB. 1940

In Model G6 switch points 15, 16, 17 and 18 are not used. Power change switch 2A thru 2I and the pictorial view shown in the "AC-DC" position.